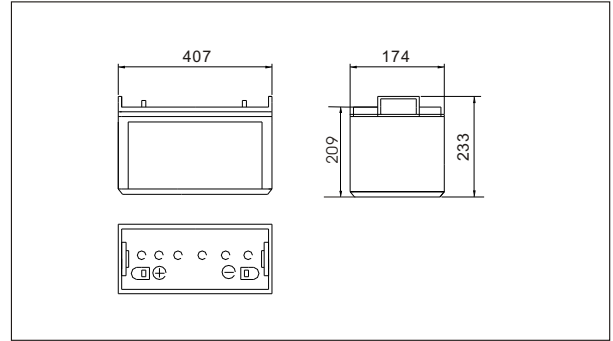




# SW121200E(12V120AH)



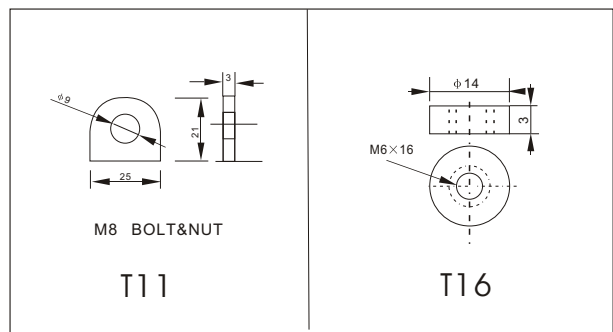
## Outer dimensions (mm)



## Specifications

Nominal Voltage		12V
Rated capacity (10 hour rate)		120 Ah
Dimensions	Total Height	233 mm (9.17 inches)
	Height	209 mm (8.23 inches)
	Length	407 mm (16.0 inches)
	Width	174mm (6.85inches)
Weight Approx		38 Kg (86 lbs)

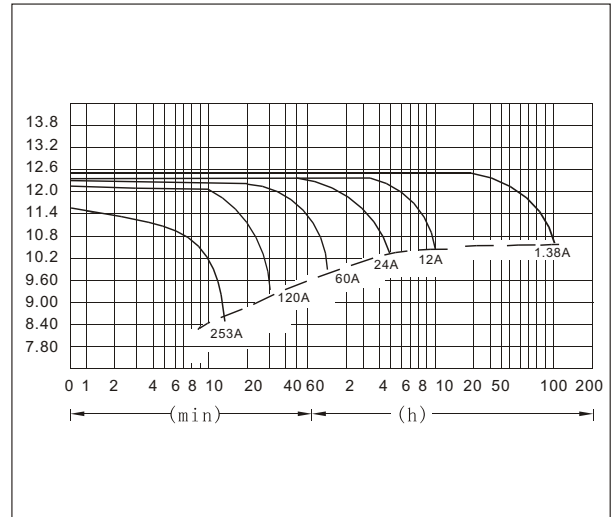
## Terminal Type (mm)



## Characteristics

Capacity 25°C(77°F)	10 hour rate(12.0A)	120 AH
	5 hour rate(19.2A)	96 AH
	1 hour rate(66.0A)	66 AH
	1.5 hour discharge to 10.5V	48 A
Internal Resistance	Full charged Battery at 25°C(77°F)	4m Ω
Capacity affected by Temperature (10hour rate)	40°C(104°F)	102%
	25°C(77°F)	100%
	0°C(32°F)	85%
	-15°C(5°F)	65%
Self-Discharge at 25°C(77°F)	Capacity after 3 month storage	91%
	Capacity after 6 month storage	82%
	Capacity after 12 month storage	64%
Terminal		T11, T16
Charge (constant Voltage)	Cycle	Initial Charging Current less than 30 A Voltage 14.10-14.40V
	Float	Voltage 13.50-13.80V

## Discharge Curves 25°C(77°F)



Time		10min	30min	1h	3h	4h	5h	8h	10h	20h	50h	100h
9.60V	A	253	137	72	30.8	24.0	19.8	14.0	12.6	6.80	2.83	1.45
	W	2812	1466	834	357	278	229	162	146	78.8	33.7	17.3
10.20V	A	246	133	67.7	30.0	23.4	19.4	13.7	12.3	6.64	2.74	1.42
	W	2704	1452	784	347	271	225	158	142	76.8	32.5	16.8
10.50V	A	235	127	66	29.3	23.0	19.2	13.6	12.0	6.55	2.69	1.38
	W	2621	1370	759	339	267	222	157	141	75.9	32.0	16.4
10.80V	A	220	123	63	28.6	22.7	18.7	13.2	11.7	6.48	2.64	1.37
	W	2519	1319	726	332	261	218	154	140	75.4	31.4	16.3
11.10V	A	202	113	60	27.6	22.0	18.2	12.8	11.40	6.16	2.59	1.32
	W	2476	1308	706	328	260	217	153	136	73.3	30.8	15.7