

KLB-520 W

KLP-520 W is a white color LED, which has a blue LED chip and is encapsulated by epoxy mixed with phosphor.

Features

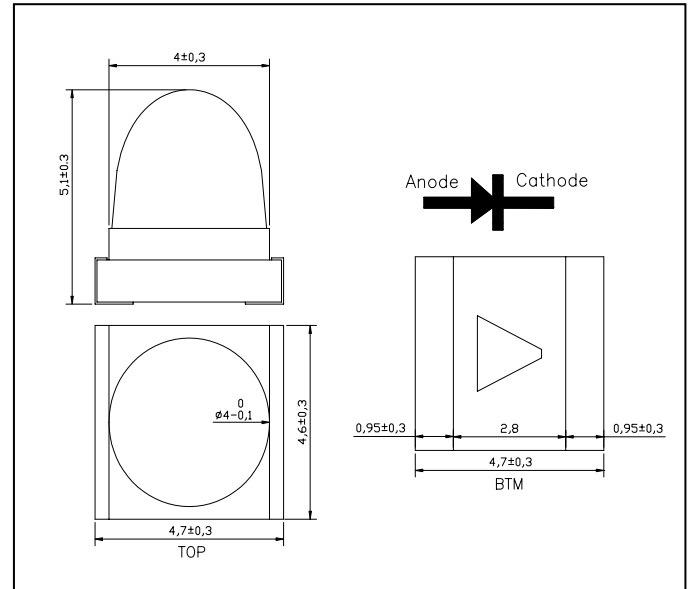
- Transparent epoxy lens
- High Optical Output

Applications

- Display
- Indicator
- Signage
- Camera

DIMENSIONS

Unit : [mm]



Maximum Ratings

[Ta=25°C]

Parameter	Symbol	Ratings	Unit
Reverse voltage	V_R	5	V
Forward current	I_F	30	mA
Pulse forward current ^{*1}	I_{FP}	0.5	A
Power dissipation	P_D	105	mW
Operating temperature	$T_{opr.}$	-30 ~ +85	°C
Storage temperature	$T_{stg.}$	-40 ~ +100	°C
Soldering Temperature ^{*2}	$T_{sol.}$	260	°C

*1. I_{FP} Measured under duty $\frac{1}{10}$ @ 1KHz

*2. Soldering time $\frac{1}{2}$ 5 Sec

Keep the distance more than 3mm from soldering foundation.

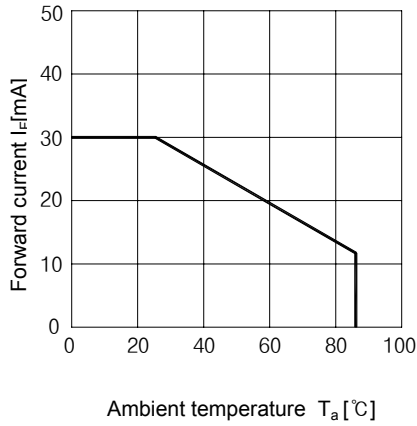
Electro-Optical Characteristics

[Ta=25°C]

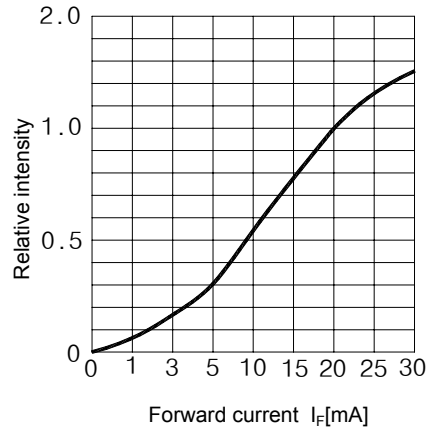
Parameter	Symbol	Conditions	Min	Typ	Max	Unit
Forward voltage	V_F	$I_F = 20 \text{ mA}$	-	3.2	3.5	V
Reverse current	I_R	$V_R = 5 \text{ V}$	-	-	50	uA
Luminous Intensity	I_v	$I_F = 20 \text{ mA}$	2.5	5	-	cd
Color Coordinate	X	$I_F = 20 \text{ mA}$	0.264	-	0.356	-
	Y		0.248	-	0.385	
Half angle	$2\Delta\theta_{1/2}$	$I_F = 20 \text{ mA}$	-	25	-	deg.

KLB-520 W

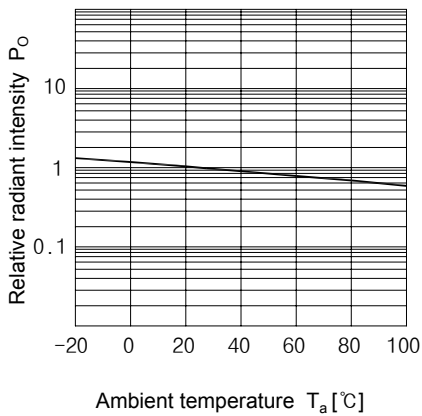
Forward current vs. Ambient temperature



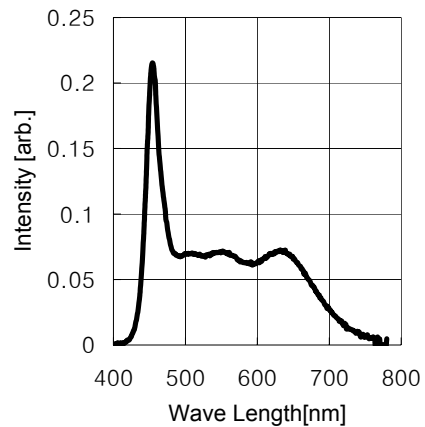
Radiant Intensity vs. Forward current



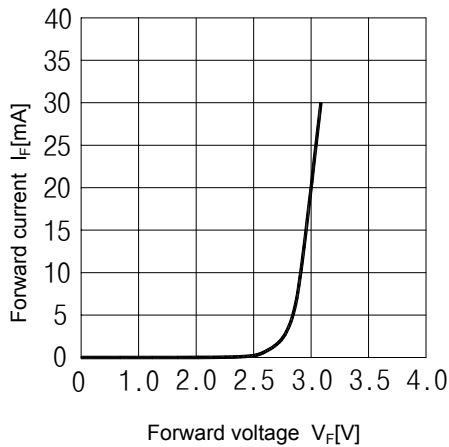
Relative radiant intensity vs. Ambient temperature



Relative intensity vs. Wavelength



Forward current vs. Forward voltage



Radiant Pattern

