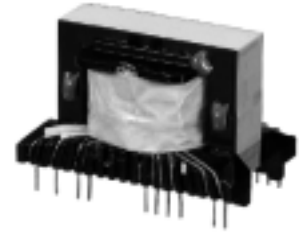


**Type: ER4831**

◆ **Product Description**

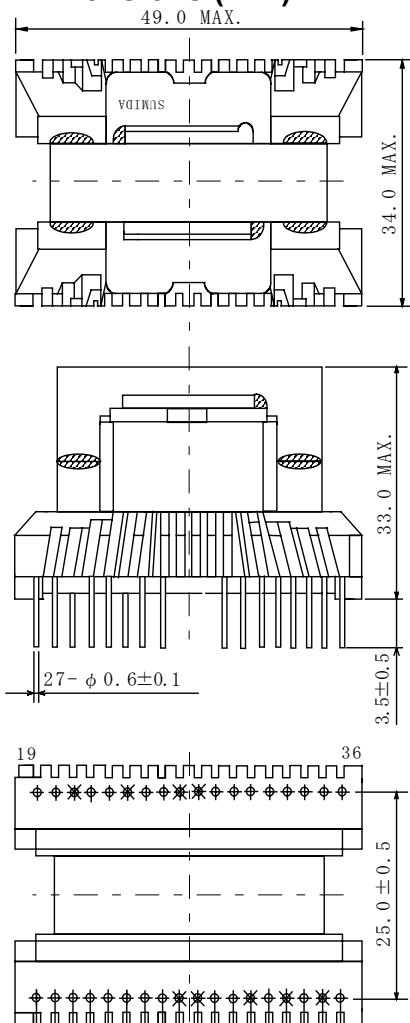
- 49.0×34.0mm Max.(L×W), 33.0mm Max. Height.
- In addition to the typical versions of parameters shown here, custom designs are available to meet your exact requirements



◆ **Feature**

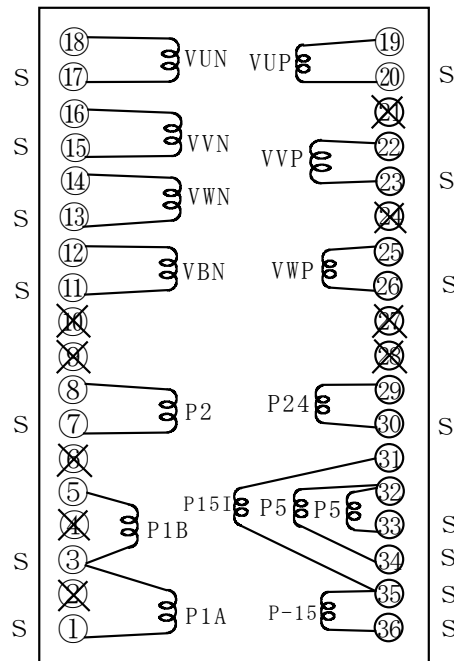
- Max. Operating frequency 500kHz. Max. Operating power 60.0W(500kHz)
- Ideally used in Switching power supply etc.
- RoHS Compliance

◆ **Dimensions (mm)**



Adhesive

◆ **Schematics (Bottom)**



“ S ” is winding start

◆ **Specification**

Sample No.	Inductance (1-5) 1kHz/1V	D.C.R. (1-3)	Hi-pot Winding-winding (50/60Hz)	Hi-pot Winding-core (50/60Hz)
3342-T280	3.95mH±17%	1.90 Ω (Ref.)	AC2000Vrms/1min.	AC2000Vrms/1min