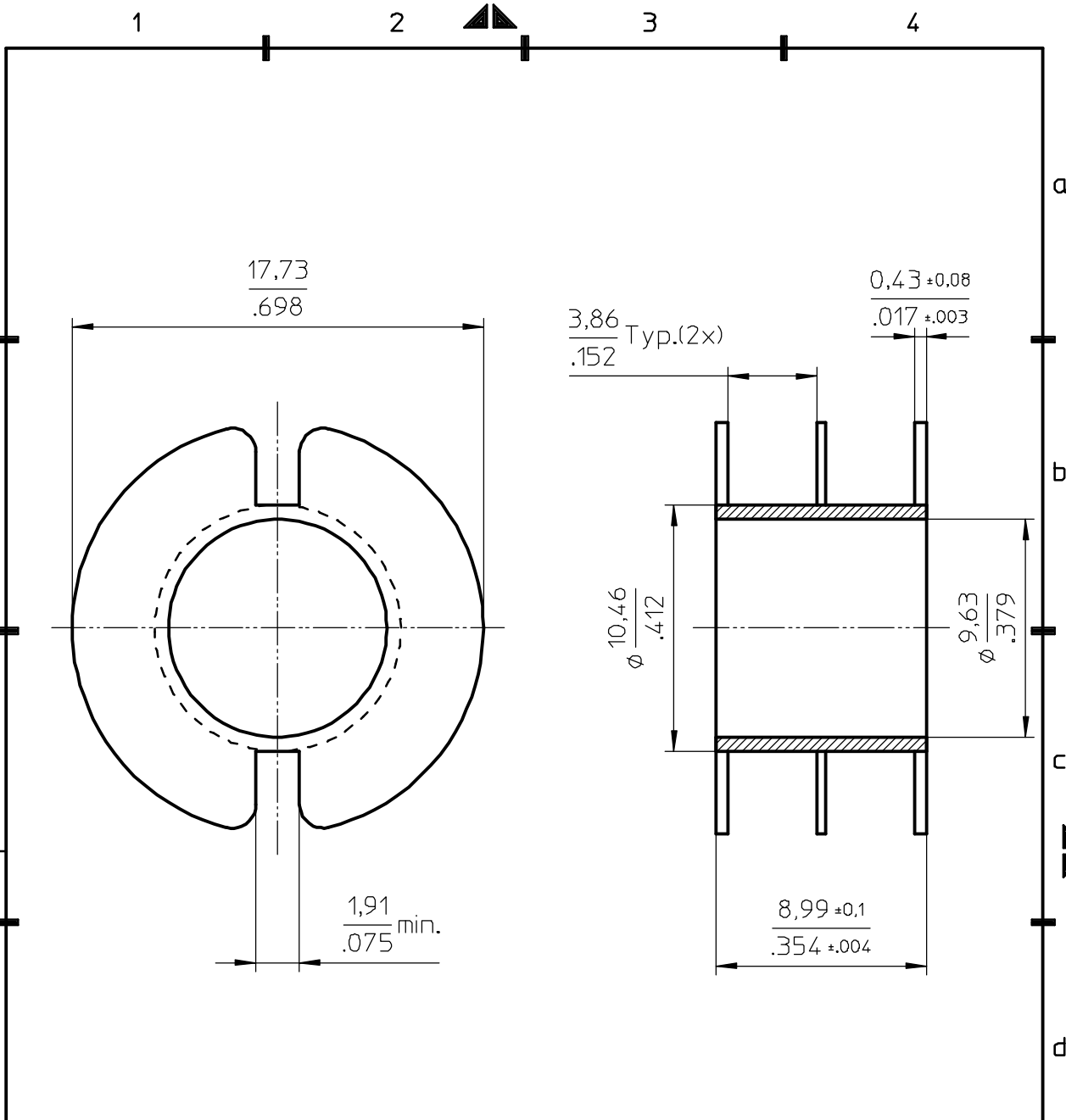
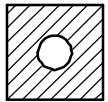
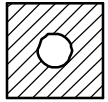


FERROXCUBE



Coil former material: Celcon M270 NC (POM).
 UL file number: E38860 - UL94HB.
 max. operating temp: 130°C
 mean length of turn: 1.7 inch
 winding area: 0.021 sq inch

		CP-P22/13-2S-A		4335 000 26111		01-06-01
						02-11-04
NAME NAAM	JON	SUPERS. VERV.	1	SH BL.	SH BL.	112 - 001
MPA	CHECK CONTR	DAT.	Property of Eigendom van	© FERROXCUBE 2002		A4