

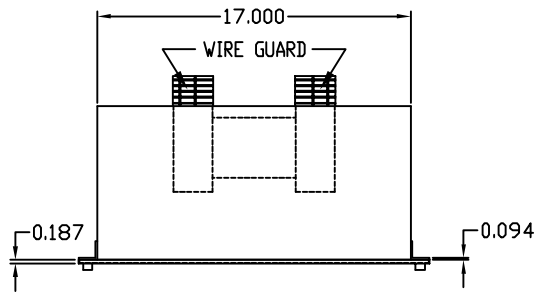
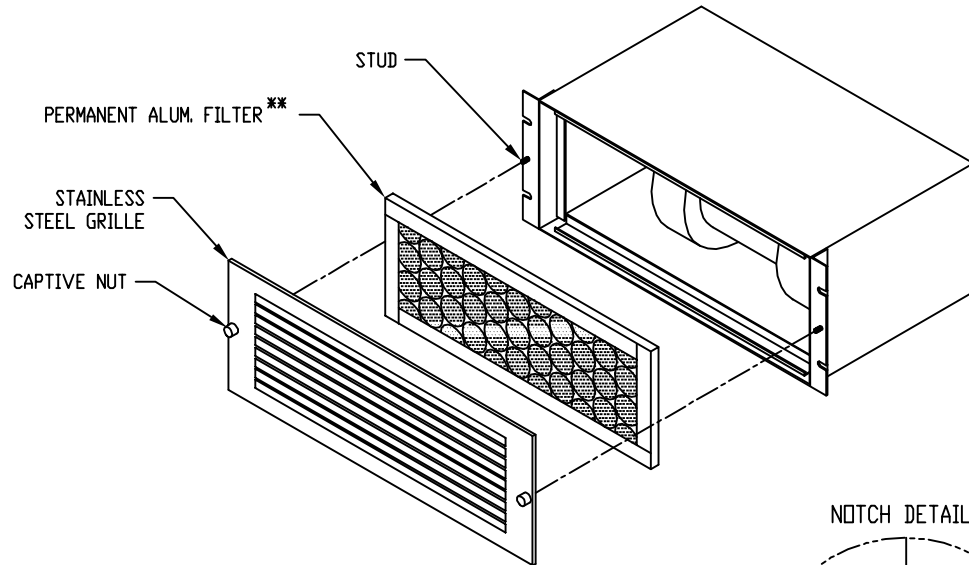
PART NAME

BLOWER

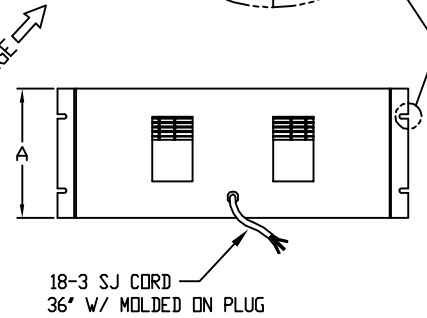
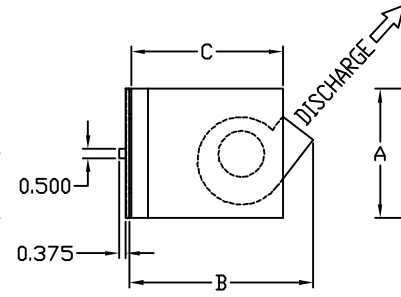
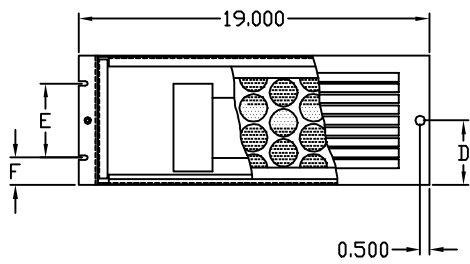
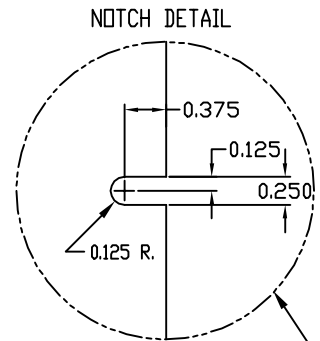
PART No.

B-60

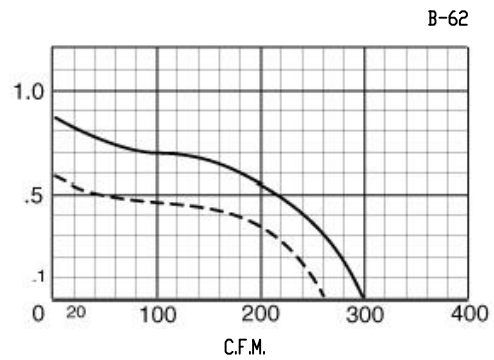
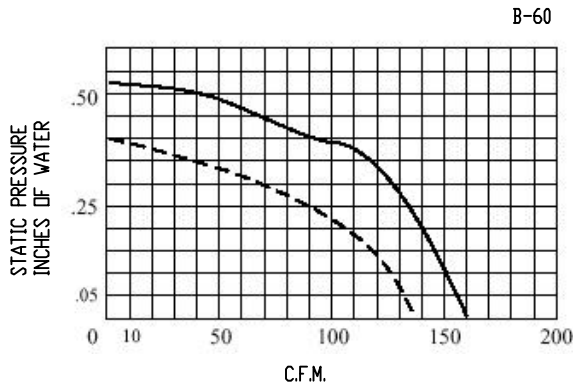
B-62



B-60 SHOWN



AIR DISPLACEMENT:



** USE FR-68 FILTER RECONDITIONER AFTER WASHING FILTER

* NOMINAL AIR FLOW AT 'D' STATIC PRESSURE

PART NO.	A	B	C	D	E	F	POWER	C.F.M. * 60 HZ	R.P.M.	WATTS	FILTER **
B-60	3.50	10.50	8.75	1.75	3.00	0.25	115 VAC	160	1500	90	BF-61
B-62	5.25	7.69	6.25	2.63	2.25	1.50		300	3000	95	BF-63