

9900 Series

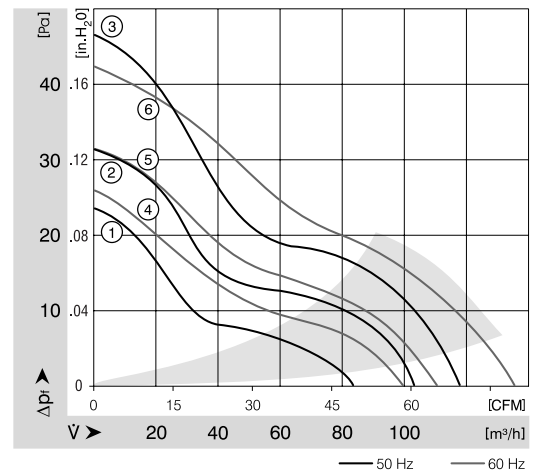
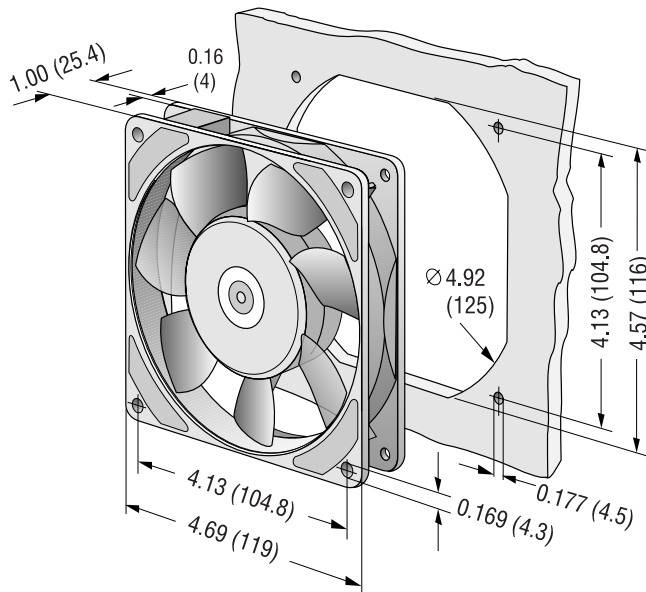
Tubeaxial

119x119x25mm



- AC fans with internal rotor shaded-pole motor. Impedance protected against overloading.
- Metal fan housing, impeller of mineral-reinforced plastic PA.
- Air exhaust over struts. Rotational direction CCW looking at rotor.
- Mounting from either face using four 4.3 mm holes.
- Electrical connection via 2 flat pins 2.8 x 0.5 mm.
- Fan housing with ground lug for screw M4.
- UL, CSA, VDE approvals on some models, please contact application engineering.

| Part Number | Curve | CFM @ 0 | VAC | Hertz | Power (W) | dBA | Max. Amb. Temp C | Bearing Type | Speed (RPM) | Features | Wgt. (lbs) |
|-------------|-------|---------|-----|-------|-----------|------|------------------|--------------|-------------|-----------|------------|
| 9956L | 1 | 49.4 | 230 | 50 | 9.5 | 29.5 | 80 | Ball | 1850 | Terminals | 0.72 |
| 9956M | 2 | 61.2 | 230 | 50 | 10.0 | 35.5 | 80 | Ball | 2250 | Terminals | 0.72 |
| 9950 | 3 | 68.9 | 230 | 50 | 14.0 | 37.0 | 70 | Sintec | 2450 | Terminals | 0.72 |
| 9956 | 3 | 68.9 | 230 | 50 | 14.0 | 37.0 | 70 | Ball | 2450 | Terminals | 0.72 |
| 9906L | 4 | 58.9 | 115 | 60 | 8.0 | 34.5 | 80 | Ball | 2100 | Terminals | 0.72 |
| 9906M | 5 | 65.3 | 115 | 60 | 8.0 | 37.0 | 80 | Ball | 2450 | Terminals | 0.72 |
| 9900 | 6 | 79.5 | 115 | 60 | 12.0 | 42.0 | 70 | Sintec | 2850 | Terminals | 0.72 |
| 9906 | 6 | 79.5 | 115 | 60 | 12.0 | 42.0 | 70 | Ball | 2850 | Terminals | 0.72 |



ebmpapst

e-mail: sales@us.ebmpapst.com · TEL: 860-674-1515 · FAX: 860-674-8536

ebm-papst Inc., 100 Hyde Road, Farmington, CT 06034 USA

ebm-papst Inc., 2006 © ebm-papst Inc. reserves the right to change any specifications or data without notice