

PLEASE CHECK WWW.MOLEX.COM FOR LATEST PART INFORMATION

Part Number: [0908000020](#)
Status: **Active**
Description: 1.27mm (.050") Pitch Picoflex® PF-50 Header, Right Angle, Low Profile, with Kinked PC Tails, 20 Circuits

Documents:

[3D Model](#) [Product Specification PS-99020-0011 \(PDF\)](#)
[Drawing \(PDF\)](#) [RoHS Certificate of Compliance \(PDF\)](#)

General

Product Family	PCB Headers
Series	90800
Application	Wire-to-Board
Comments	Low Profile
Product Name	Picoflex®

Physical

Breakaway	No
Circuits (Loaded)	20
Color - Resin	Black
Durability (mating cycles max)	30
First Mate / Last Break	No
Glow-Wire Compliant	No
Guide to Mating Part	No
Keying to Mating Part	None
Lock to Mating Part	Yes
Material - Metal	Brass
Material - Plating Mating	Tin
Material - Resin	Polyester
Number of Rows	1
Orientation	Vertical
PCB Retention	Yes
PCB Thickness Recommended (in)	0.062 In
PCB Thickness Recommended (mm)	1.60 mm
Packaging Type	Tube
Pitch - Mating Interface (in)	0.050 In
Pitch - Mating Interface (mm)	1.27 mm
Plating min: Mating (µin)	120
Plating min: Mating (µm)	3
Plating min: Termination (µin)	120
Plating min: Termination (µm)	3
Polarized to Mating Part	Yes
Polarized to PCB	Yes
Shrouded	No
Stackable	No
Surface Mount Compatible (SMC)	No
Temperature Range - Operating	-40°C to +105°C
Termination Interface: Style	Through Hole - Kinked Pin

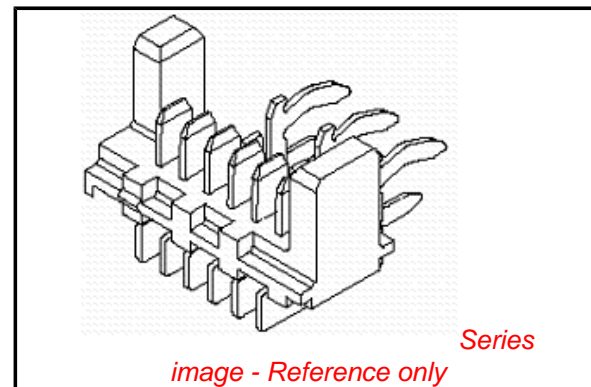
Electrical

Current - Maximum per Contact	1.2A
Voltage - Maximum	250V

Solder Process Data

Lead-free Process Capability	Wave Capable (TH only)
------------------------------	------------------------

Material Info



EU RoHS

ELV and RoHS Compliant
REACH SVHC Contains SVHC: No
Halogen-Free Status
Not Reviewed

China RoHS



Need more information on product environmental compliance?

Email productcompliance@molex.com
 For a multiple part number RoHS Certificate of Compliance, [click here](#)

Please visit the [Contact Us](#) section for any non-product compliance questions.

Search Parts in this Series

[90800Series](#)

Mates With

[90327 IDT Connector](#)

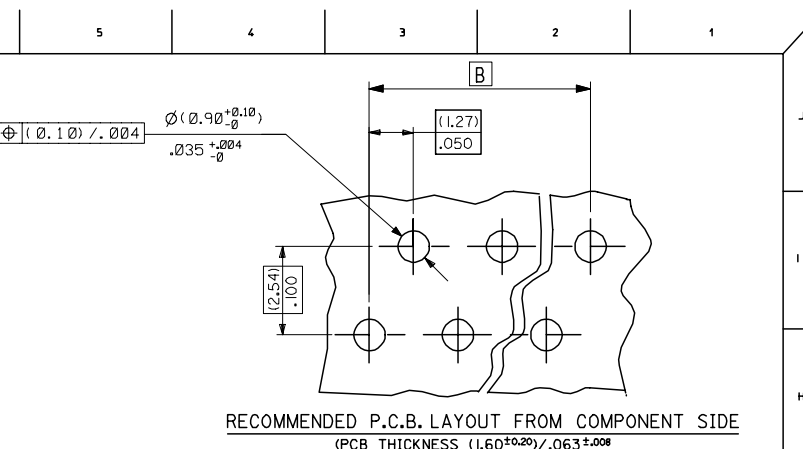
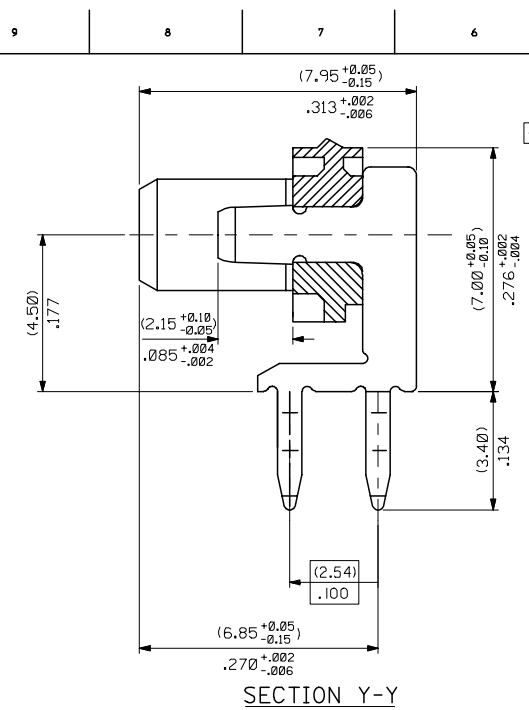
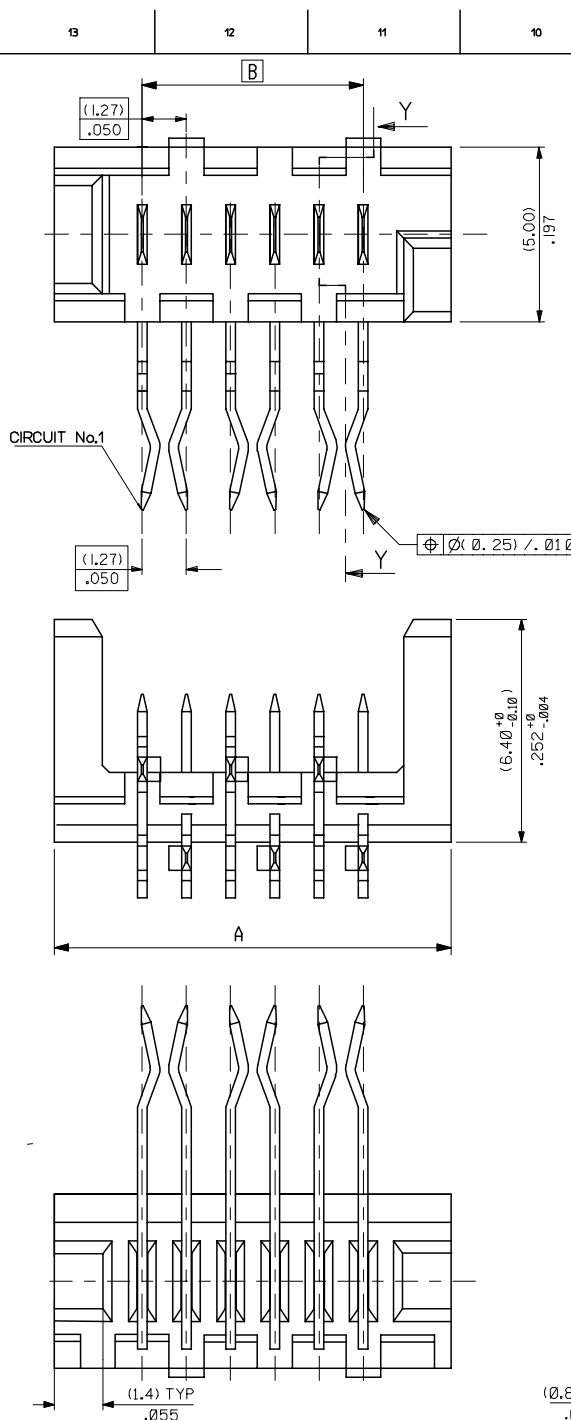
Reference - Drawing Numbers

Product Specification
Sales Drawing

PS-99020-0011
SDA-90800E

This document was generated on 04/23/2010

PLEASE CHECK WWW.MOLEX.COM FOR LATEST PART INFORMATION



90800 - * 0 **
 CIRCUIT SIZE
 0= (3-5UM) / 120-200UIN TIN VERSION
 3= (0.76UM) / 30UIN GOLD VERSION

PART NO.	NO. OF CKTS	DIMN. A	DIMN. B	QTY PER TUBE	TOOLED
90800-026	26	(36.80)/1.449	(31.75)/1.250	14	YES
90800-024	24	(34.26)/1.349	(29.21)/1.150	15	YES
90800-022	22	(31.72)/1.249	(26.67)/1.050	16	YES
90800-020	20	(29.18)/1.149	(24.13)/.950	18	YES
90800-018	18	(26.64)/1.049	(21.59)/.850	20	YES
90800-016	16	(24.10)/.949	(19.05)/.750	22	YES
90800-014	14	(21.56)/.849	(16.51)/.650	24	YES
90800-012	12	(19.02)/.749	(13.97)/.550	28	YES
90800-010	10	(16.48)/.649	(11.43)/.450	32	YES
90800-008	8	(13.94)/.549	(8.89)/.350	38	YES
90800-006	6	(11.40)/.449	(6.35)/.250	46	YES
90800-004	4	(8.86)/.349	(3.81)/.150	59	YES

NOTES:
 1) MATERIAL: HOUSING*POLYESTER PBT 15% G.F.,UL 94 V-0, BLACK.
 TERMINAL- CARTRIDGE BRASS (0.28)/.011 REF THICK
 2) SEE PRODUCT SPECIFICATION PS-99020-0011.

ADD CKT.1 INDICATOR EC NO: E2007-0083 DRW: MASZK/LEW/LZ 2006/09/11 CHK: J. DENNEHY 2006/09/11 APPR: J. DENNEHY 2006/09/13	QUALITY SYMBOLS ▽=0 ▽=0	GENERAL TOLERANCES (UNLESS SPECIFIED) <table border="1"> <tr><th></th><th>mm</th><th>INCH</th></tr> <tr><td>4 PLACES</td><td>± .004</td><td>± .0004</td></tr> <tr><td>3 PLACES</td><td>± .004</td><td>± .0004</td></tr> <tr><td>2 PLACES</td><td>± 0.10</td><td>± .004</td></tr> <tr><td>1 PLACE</td><td>± .010</td><td>± .0004</td></tr> </table> ANGULAR ±1/2°		mm	INCH	4 PLACES	± .004	± .0004	3 PLACES	± .004	± .0004	2 PLACES	± 0.10	± .004	1 PLACE	± .010	± .0004	DIMENSION STYLE MM ONLY DRAWN BY: PK DATE: 1994/01/28 CHECKED BY: J. DENNEHY DATE: _____ APPROVED BY: J. DENNEHY DATE: _____	SCALE: 10:1 DESIGN UNITS: METRIC THIRD ANGLE PROJECTION
		mm	INCH																
	4 PLACES	± .004	± .0004																
	3 PLACES	± .004	± .0004																
2 PLACES	± 0.10	± .004																	
1 PLACE	± .010	± .0004																	
DRAFT WHERE APPLICABLE MUST REMAIN WITHIN DIMENSIONS	MATERIAL NO.: SEE CHART	TITLE: RIGHT ANGLE STRAGGERED PICO FLEX HEADER ASSY (1.25)/.050 CENTRES	MOLEX INCORPORATED	DOCUMENT NO.: SDA-90800E															
SIZE: A2	THIS DRAWING CONTAINS INFORMATION THAT IS PROPRIETARY TO MOLEX INCORPORATED AND SHOULD NOT BE USED WITHOUT WRITTEN PERMISSION	SHEET NO.: 1 OF 1																	