

**PLEASE CHECK WWW.MOLEX.COM FOR LATEST PART INFORMATION**

**Part Number:** [0010634037](#)  
**Status:** **Active**  
**Overview:** [kk](#)  
**Description:** 7.92mm (.312") Pitch SPOX™ Header, Vertical, with Friction Lock, 3 Circuits

**Documents:**

<a href="#">3D Model</a>	<a href="#">Product Specification PS-5195-006 (PDF)</a>
<a href="#">Drawing (PDF)</a>	<a href="#">Product Specification PS-5239-005 (PDF)</a>
<a href="#">Product Specification PS-5195-002 (PDF)</a>	<a href="#">RoHS Certificate of Compliance (PDF)</a>

**Agency Certification**

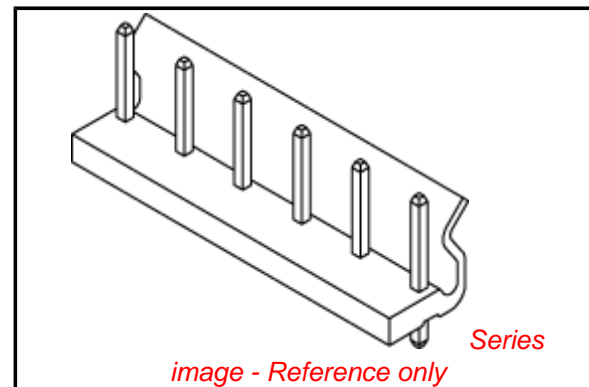
CSA	LR19980
TUV	R72090224
UL	E29179

**General**

Product Family	PCB Headers
Series	<a href="#">5096</a>
Application	Wire-to-Board
Overview	<a href="#">kk</a>
Product Name	SPOX™

**Physical**

Breakaway	No
Circuits (Loaded)	3
Durability (mating cycles max)	30
First Mate / Last Break	No
Flammability	94V-2
Glow-Wire Compliant	No
Guide to Mating Part	No
Keying to Mating Part	None
Lock to Mating Part	Yes
Material - Metal	Brass
Material - Plating Mating	Tin
Material - Plating Termination	Tin
Material - Resin	Nylon
Number of Rows	1
Orientation	Vertical
PC Tail Length (in)	0.142 In
PC Tail Length (mm)	3.60 mm
PCB Locator	No
PCB Retention	None
PCB Thickness Recommended (in)	0.062 In
PCB Thickness Recommended (mm)	1.60 mm
Packaging Type	Bag
Pitch - Mating Interface (in)	0.312 In
Pitch - Mating Interface (mm)	7.92 mm
Plating min: Mating (µin)	200
Plating min: Mating (µm)	5
Plating min: Termination (µin)	200
Plating min: Termination (µm)	5
Polarized to PCB	No
Shrouded	Partial
Stackable	No
Temperature Range - Operating	-40°C to +105°C
Termination Interface: Style	Through Hole



**EU RoHS**

**ELV and RoHS Compliant**  
**REACH SVHC Contains SVHC: No**  
**Halogen-Free Status**  
**Not Reviewed**

**China RoHS**



**Need more information on product environmental compliance?**

Email [productcompliance@molex.com](mailto:productcompliance@molex.com)  
 For a multiple part number RoHS Certificate of Compliance, [click here](#)

Please visit the [Contact Us](#) section for any non-product compliance questions.

**Search Parts in this Series**

[5096Series](#)

**Mates With**

[5195 SPOX™ Crimp Housing](#). [5239 KK® Crimp Housing](#)

**Electrical**

Current - Maximum per Contact  
Voltage - Maximum

7A  
250V

**Material Info**

Old Part Number

5096-03C

**Reference - Drawing Numbers**

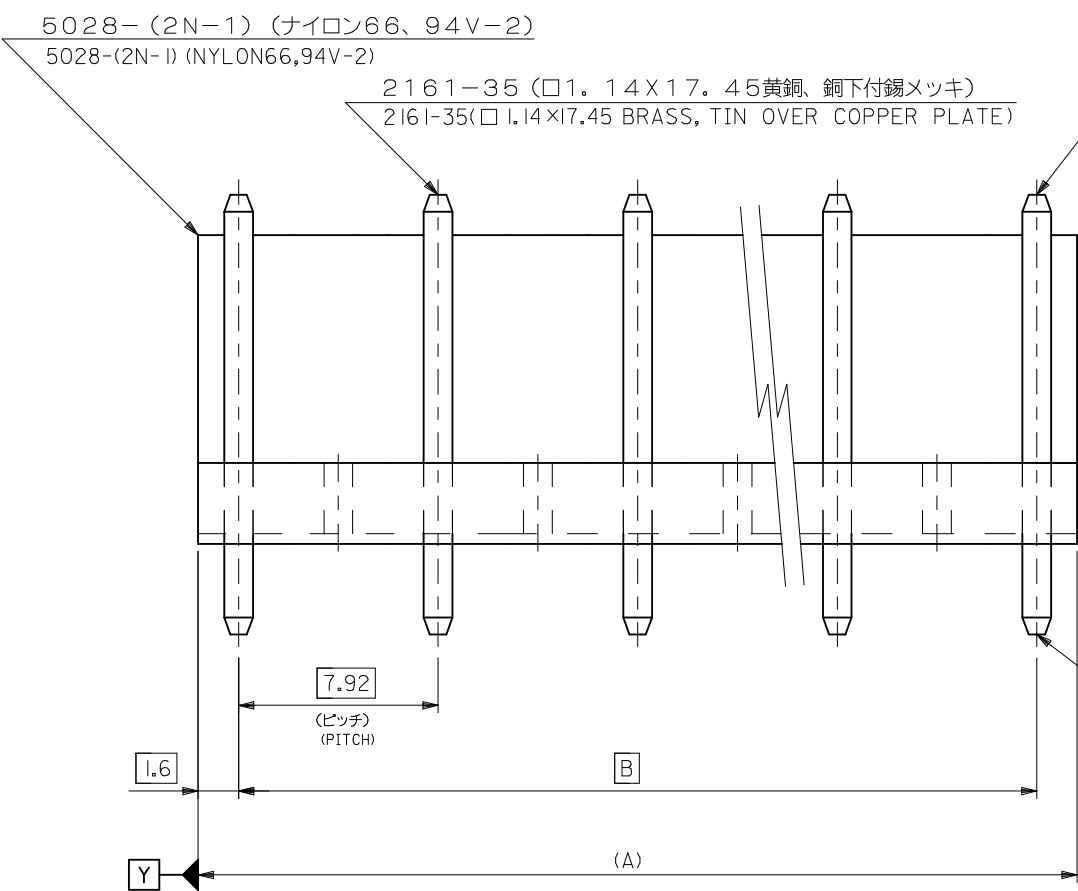
Packaging Specification  
Product Specification

SPK-5096-001  
PS-5195-002, PS-5195-006, PS-5239-005,  
RPS-5096-001  
SD-5096-001

Sales Drawing

This document was generated on 05/24/2010

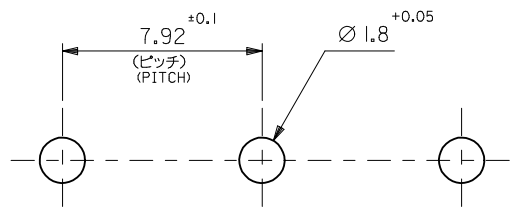
**PLEASE CHECK [WWW.MOLEX.COM](http://WWW.MOLEX.COM) FOR LATEST PART INFORMATION**



注記  
NOTE

ウェハーのそりは、長さ25.4に対して0.24最大。  
CAMBER OF WAFER MUST BE 0.24mm MAX. PER 25.4mm.

39.6	42.8	10-63-4067	5096-06C	6
31.68	34.88	10-63-4057	5096-05C	5
23.76	26.96	10-63-4047	5096-04C	4
15.84	19.04	10-63-4037	5096-03C	3
B	(A)	EDP.NO.	MATERIAL NO.	種数 NO. OF CKTS.
			MODEL NO.	5096-NC



基板取付穴推奨寸法  
RECOMMENDED PC BOARD HOLE DIMENSION

REVISED EC NO: J2009-0320 DRWN: MAKURAA 2008/08/26 CHKD: T. HARUYAMA 2008/08/26 APPR: NUKITA 2008/12/09	GENERAL TOLERANCES (UNLESS SPECIFIED)		DIMENSION STYLE MM ONLY	SCALE 5:1	DESIGN UNITS METRIC	THIRD ANGLE PROJECTION
	10 UNDER	±0.2	DRAWN BY M. HARA	DATE '96/6/20	TITLE KK7.92 WAFER ASSY WITH LOCK	
	10 OVER 30 UNDER	±0.25	CHECKED BY M. FUKUSHIMA	DATE '96/6/20	MOLEX INCORPORATED	
	30 OVER	±0.3	APPROVED BY M. ENOMOTO	DATE '96/6/20	DOCUMENT NO. SD-5096-001	SHEET NO. 1 OF 1
ANGULAR	±3 °	DRAFT WHERE APPLICABLE MUST REMAIN WITHIN DIMENSIONS		SEE TABLE		
SIZE A3	THIS DRAWING CONTAINS INFORMATION THAT IS PROPRIETARY TO MOLEX INCORPORATED AND SHOULD NOT BE USED WITHOUT WRITTEN PERMISSION					