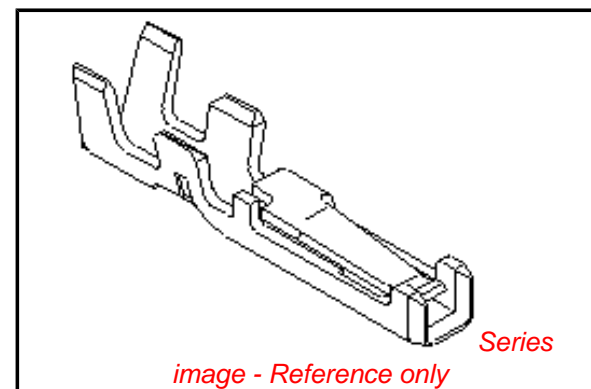


**PLEASE CHECK WWW.MOLEX.COM FOR LATEST PART INFORMATION**

**Part Number:** [0506418041](#)  
**Status:** **Active**  
**Overview:** [panelmate 125mm 049 pitch ultra lowprofile](#)  
**Description:** PanelMate™ Crimp Receptacle Terminal, 28-30 AWG, Reel Gold (Au)

**Documents:**

<a href="#">3D Model</a>	<a href="#">Product Specification PS-51146-009 (PDF)</a>
<a href="#">Drawing (PDF)</a>	<a href="#">Product Specification PS-51146-010 (PDF)</a>
<a href="#">Product Specification PS-51146-001 (PDF)</a>	<a href="#">Product Specification PS-51146-011 (PDF)</a>
<a href="#">Product Specification PS-51146-006 (PDF)</a>	<a href="#">Product Specification PS-51146-012 (PDF)</a>
<a href="#">Product Specification PS-51146-007 (PDF)</a>	<a href="#">RoHS Certificate of Compliance (PDF)</a>
<a href="#">Product Specification PS-51146-008 (PDF)</a>	



**General**

Product Family	Crimp Terminals
Series	<a href="#">50641</a>
Crimp Quality Equipment	Yes
Overview	<a href="#">panelmate 125mm 049 pitch ultra lowprofile</a>
Product Name	PanelMate™

**Physical**

Gender	Female
Material - Metal	Phosphor Bronze
Material - Plating Mating	Gold
Material - Plating Termination	Gold
Packaging Type	Reel
Plating min: Mating (µin)	8
Plating min: Mating (µm)	0.2
Plating min: Termination (µin)	8
Plating min: Termination (µm)	0.2
Termination Interface: Style	Crimp or Compression
Wire Insulation Diameter	0.50-0.90mm (.020-.035")
Wire Size AWG	28, 30
Wire Size mm²	N/A

**Material Info**

**Reference - Drawing Numbers**

Product Specification	PS-51146-001, PS-51146-006, PS-51146-007, PS-51146-008, PS-51146-009, PS-51146-010, PS-51146-011, PS-51146-012, RPS-51146-002, RPS-51146-003, RPS-51146-004, RPS-51146-007, RPS-51146-008, RPS-51146-009, RPS-51146-010, RPS-51146-011, RPS-51146-012, RPS-51146-013, RPS-51146-015, RPS-51146-016, RPS-51146-017, RPS-51146-019, RPS-51146-021, RPS-51146-022, RPS-51146-023, RPS-51146-024, RPS-51146-025, RPS-51146-026, RPS-51146-027, RPS-51146-028, RPS-51146-029, RPS-51146-030, RPS-51146-031 SD-50641-8***
Sales Drawing	

**EU RoHS**

**ELV and RoHS Compliant**  
**REACH SVHC Contains SVHC: No**  
**Halogen-Free Status**  
**Not Reviewed**

**China RoHS**



**Need more information on product environmental compliance?**

Email [productcompliance@molex.com](mailto:productcompliance@molex.com)  
 For a multiple part number RoHS Certificate of Compliance, [click here](#)

Please visit the [Contact Us](#) section for any non-product compliance questions.

**Search Parts in this Series**

[50641Series](#)

**Application Tooling | FAQ**

*Tooling specifications and manuals are found by selecting the products below. Crimp Height Specifications are then contained in the Application Tooling Specification document.*

**Global**

Description	Product #
FineAdjust™	<a href="#">0639004300</a>
Applicator	
T2 Terminator	<a href="#">0639104300</a>
Tooling Die	
Hand Crimp Tool, UL Approved	<a href="#">0638117900</a>
Extractor Tool for 1.25mm (.049") Pitch Pico-Gold™ Wire-to-Board Crimp Terminal	<a href="#">0638133400</a>

**Japan**

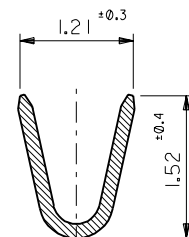
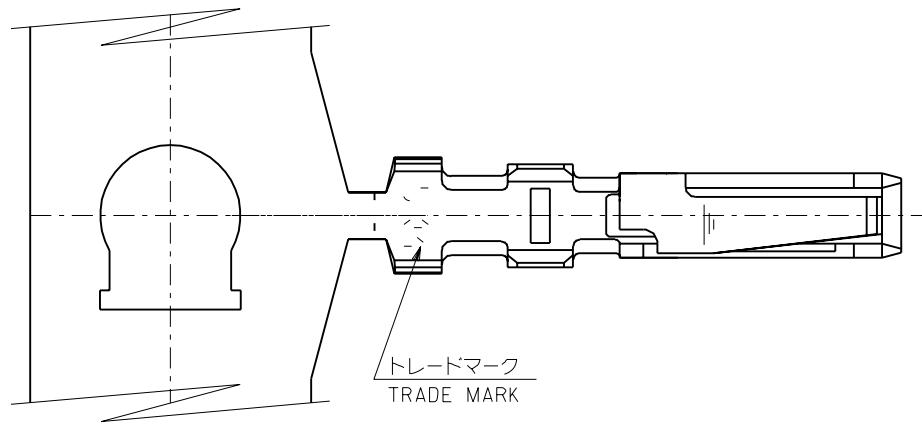
Description	Product #
-------------	-----------

Applicator for M21 1A 0573523000  
Bench Press, 28-30  
AWG, for 50641  
and 50753 Crimp  
Terminal  
Side-Feed Applicator 0573523200  
For Full-Auto  
Machine

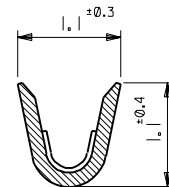
This document was generated on 06/01/2010

**PLEASE CHECK [WWW.MOLEX.COM](http://WWW.MOLEX.COM) FOR LATEST PART INFORMATION**

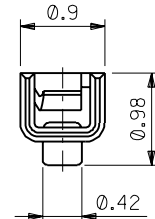
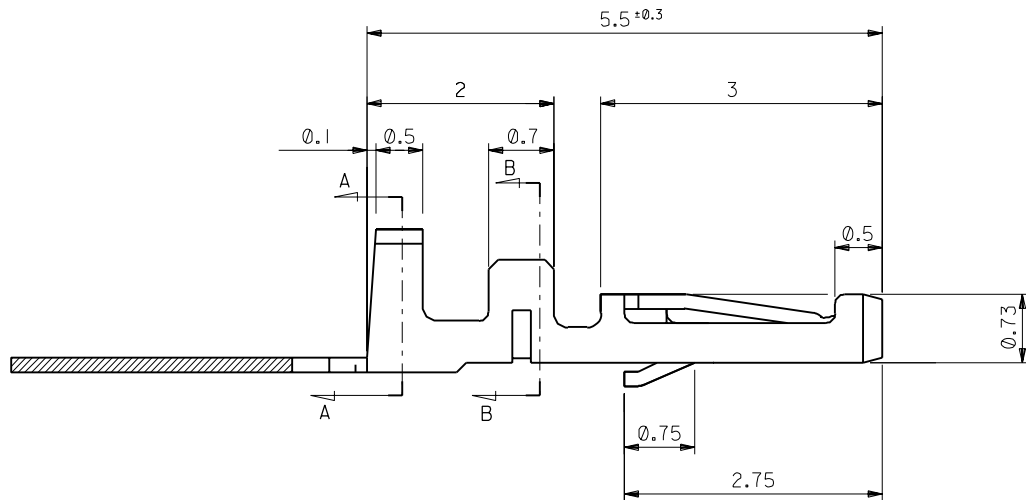
DWG. NO. SD-50641-8\*\*\*



SECT. A-A



SECT. B-B



注記  
NOTES

- 適合ハウジング：51146シリーズ  
APPLICABLE HOUSING：51146 SERIES
- メッキ仕様 (PLATING)  
金メッキ：0.2\*μmMIN. ニッケル下地：1.5\*μmMIN.  
Au：0.2\*μmMIN. Ni(UNDER PLATE)：1.5\*μmMIN.

角度 ANGLE	公差 TOLERANCE	記号 LTR	変更内容 REVISION RECORD	DR. CHK.	日付 DATE
30°以上 OVER	+0.3	B	変更 REVISD (JC70448)	S.M. Y.M.	'96/11/3
10°以上 30°未満 UNDER	+0.25	A	変更 REVISD (JC70229)	S.M. Y.M.	'96/8/21
10°未満 UNDER	+0.2	Q	新規作成 PROPOSED (JC60814)	S.M. Y.M.	'96/6/6
一般公差 GENERAL TOLERANCES			新規作成 PROPOSED (JC60420)	Y.M. H.H.	'95/12/25

材料 MATERIAL	リン青銅 (t=0.15) PHOSPHOR BRONZE
仕上げ FINISH	—
適用電線範囲 WIRE RANGE	#28 ~ #30
被覆外径 INS. RANGE	φ0.5 - 0.9
DRAWN BY '95/12/25	CHK'D BY '96/11/5
Y. MIZUNO	Y. MIZUNO
APP'D BY '96/11/5	尺度 SCALE 20:1
M. FUKUSHIMA	

50641-8141	バラ状 LOOSE
50641-8041	連鎖状 CHAIN
ENG. NO.	端子形状 FORM
MOLEX-JAPAN CO., LTD. 日本モレックス株式会社	
REVISE ONLY ON CAD SYSTEM	
TITLE 名称	
I.25 WIRE TO BOARD CONN. CRIMP RECEPTACLE	
DWG. NO.	REV
SD-50641-8***	C