

PLEASE CHECK WWW.MOLEX.COM FOR LATEST PART INFORMATION

Part Number: **0500808100**
Status: **Active**
Description: 1.25mm (.049") Pitch Board-In Crimp Terminal, Male, 50080, 26-28 AWG, Bag, for 51022 Housing

Documents:

[Drawing \(PDF\)](#) [RoHS Certificate of Compliance \(PDF\)](#)
[Product Specification PS-51022-001 \(PDF\)](#)

General

| | |
|-------------------------|-----------------|
| Product Family | Crimp Terminals |
| Series | 50080 |
| Crimp Quality Equipment | Yes |
| Product Name | Board-In |

Physical

| | |
|--------------------------------|--------------------------|
| Gender | Male |
| Material - Metal | Phosphor Bronze |
| Material - Plating Mating | Tin |
| Material - Plating Termination | Tin |
| Packaging Type | Bag |
| Plating min: Mating (µin) | 36 |
| Plating min: Mating (µm) | 0.90 |
| Plating min: Termination (µin) | 36 |
| Plating min: Termination (µm) | 0.90 |
| Termination Interface: Style | Crimp or Compression |
| Wire Insulation Diameter | 0.50-1.00mm (.020-.039") |
| Wire Size AWG | 26, 28 |
| Wire Size mm ² | N/A |

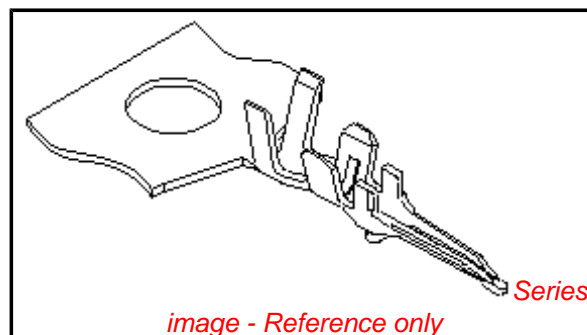
Electrical

| | |
|-------------------------------|------|
| Current - Maximum per Contact | 1A |
| Voltage - Maximum | 125V |

Material Info

Reference - Drawing Numbers

| | |
|-----------------------|-----------------------------|
| Product Specification | PS-51022-001, RPS-51022-001 |
|-----------------------|-----------------------------|



EU RoHS

ELV and RoHS Compliant
REACH SVHC Contains SVHC: No
Halogen-Free Status
Halogen-Free

China RoHS



Need more information on product environmental compliance?

Email productcompliance@molex.com
 For a multiple part number RoHS Certificate of Compliance, [click here](#)

Please visit the [Contact Us](#) section for any non-product compliance questions.

Search Parts in this Series

50080Series

Use With

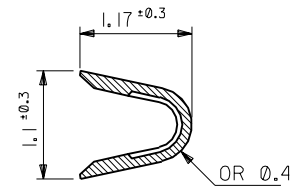
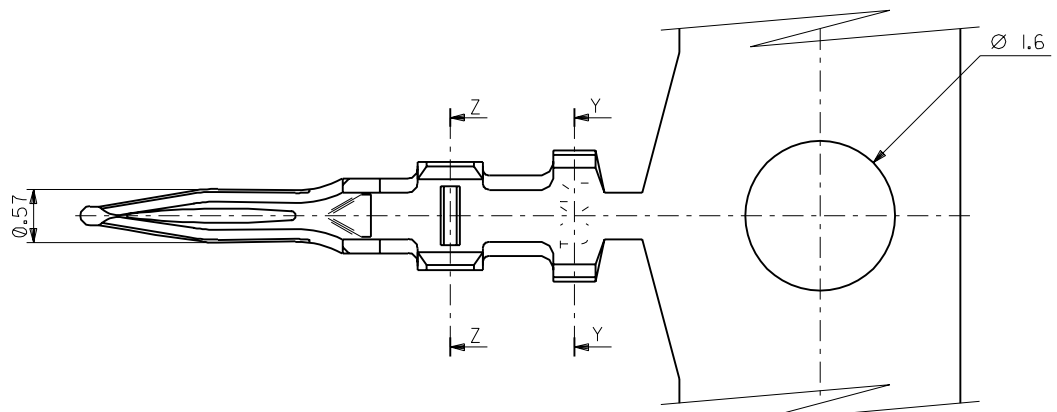
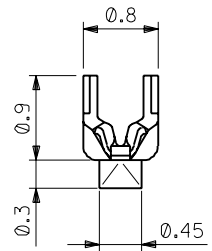
51022

Application Tooling | FAQ

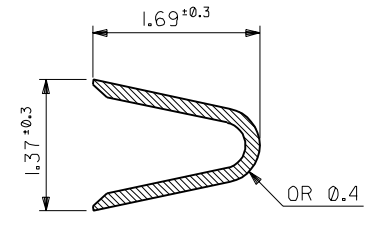
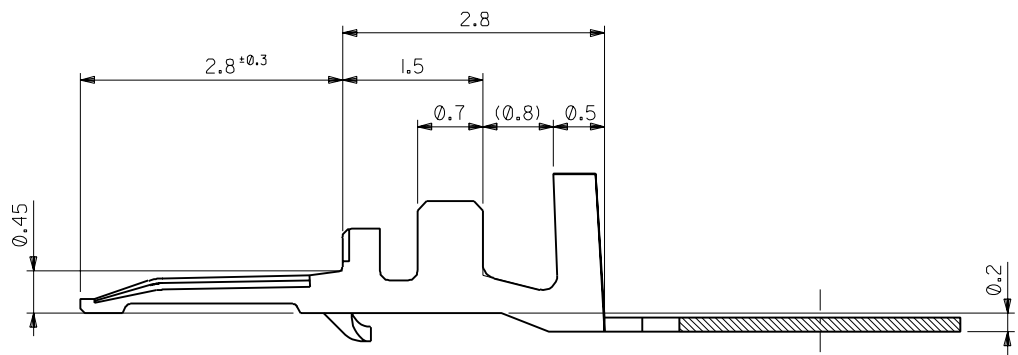
Tooling specifications and manuals are found by selecting the products below. Crimp Height Specifications are then contained in the Application Tooling Specification document.

Global

| Description | Product # |
|--|----------------------------|
| Extraction Tool | 0011030043 |
| Hand Crimp Tool for 1.25mm (.049") Pitch PicoBlade™ Crimp Terminals, 26-32 AWG | 0638190300 |



SECT. Z-Z



SECT. Y-Y

注記
NOTES

1. 適合ハウジング：51022シリーズ
APPLICABLE HOUSING：51022 SERIES
2. メッキ仕様 PLATING
錫 0.9μm MIN. リフロー処理（前メッキ）
TIN 0.9μm MIN. REFLOW TREATMENT (PRE-PLATED)

| 角度 ANGLE | 公差 | 記号 LTR | 変更内容 REVISION RECORD | DR. CHK. | DATE |
|-------------------------|-------|--------|----------------------------------|-----------|----------|
| 30°以上 OVER | +0.3 | | | | |
| 10°以上 30°未満 OVER UNDER | +0.25 | C | 変更 REVISD (J30697) | H.H. M.F. | 93/7/10 |
| 10°未満 UNDER | +0.2 | B | 変更&再作図 REVISD & REDRAWN (J20810) | H.H. M.F. | 92/10/27 |
| 一般公差 GENERAL TOLERANCES | | | | | |

| | |
|-------------------|-------------------------------|
| 材料 MATERIAL | リン青銅 PHOSPHOR BRONZE (t=0.15) |
| 仕上げ FINISH | —H— |
| 適用電線範囲 WIRE RANGE | AWG #26-28 |
| 被覆外径 INS. RANGE | φ0.5-1.0 |
| DRAWN BY | H.HIRAMOTO |
| CHK'D BY | H.HIRAMOTO |
| APP'D BY | M.FUKUSHIMA |
| 尺度 SCALE | 20 - 1 |

| | |
|------------|-----------|
| 50080-8100 | バラ状 LOOSE |
| 50080-8000 | 連鎖状 CHAIN |
| ENG. NO. | 端子形状 FORM |

| | |
|-------------------------------------|-----|
| MOLEX-JAPAN CO.,LTD. 日本モレックス株式会社 | |
| REVISE ONLY ON CAD SYSTEM | |
| TITLE 名称 | |
| 1.25 BOARD IN CRIMP TERMINAL | |
| DWG. NO. | REV |
| SD-50080-8*00 | C |