

PLEASE CHECK WWW.MOLEX.COM FOR LATEST PART INFORMATION

Part Number: [0747030117](#)
Status: **Active**
Overview: [hssdc2](#)
Description: 1.27mm (.050") Pitch HSSDC2 Receptacle, Shielded, Right Angle, Single Row, 7 Circuits

Documents:

[3D Model](#) [Product Specification PS-74703-001 \(PDF\)](#)
[Drawing \(PDF\)](#) [RoHS Certificate of Compliance \(PDF\)](#)
[Packaging Specification \(PDF\)](#)

Agency Certification

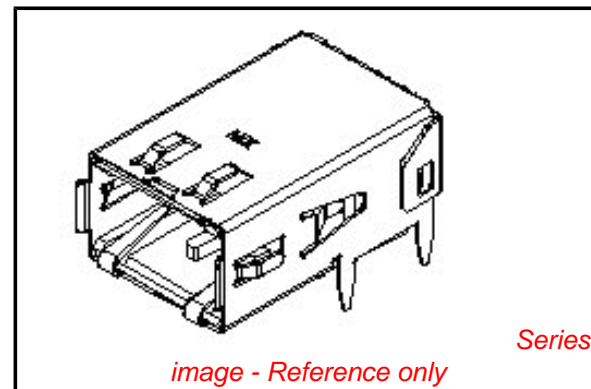
CSA LR19980
 UL E29179

General

Product Family I/O Connectors
 Series [74703](#)
 Application Wire-to-Board
 Component Type Receptacle
 Overview [hssdc2](#)
 Product Name HSSDC2
 Type N/A

Physical

Boot Color N/A
 Circuits (Loaded) 7
 Circuits (maximum) 7
 Color - Resin Natural
 Durability (mating cycles max) 250
 Flammability 94V-0
 Gender Receptacle
 Keying to Mating Part Yes
 Lock to Mating Part Yes
 Material - Metal High Performance Alloy (HPA)
 Material - Plating Mating Gold
 Material - Plating Termination Tin
 Material - Resin High Temperature Thermoplastic
 Number of Rows 1
 Orientation Right Angle
 PCB Locator Yes
 PCB Retention Yes
 PCB Thickness Recommended (in) 0.061 In, 0.092 In
 PCB Thickness Recommended (mm) 1.57 mm, 2.36 mm
 Packaging Type Tray
 Panel Mount No
 Pitch - Mating Interface (in) 0.050 In
 Pitch - Mating Interface (mm) 1.27 mm
 Pitch - Term. Interface (in) 0.050 In
 Pitch - Term. Interface (mm) 1.27 mm
 Polarized to Mating Part Yes
 Polarized to PCB Yes
 Ports 1
 Surface Mount Compatible (SMC) Yes
 Temperature Range - Operating -10°C to +60°C
 Termination Interface: Style Surface Mount



EU RoHS

**ELV and RoHS
 Compliant**
REACH SVHC
 Not Reviewed
**Halogen-Free
 Status**
Not Reviewed

China RoHS



**Need more information on product
 environmental compliance?**

Email productcompliance@molex.com
 For a multiple part number RoHS Certificate of
 Compliance, [click here](#)

Please visit the [Contact Us](#) section for any
 non-product compliance questions.

Search Parts in this Series

[74703Series](#)

Mates With

[73939](#)

Waterproof / Dustproof	No
Wire Size AWG	N/A
Electrical	
Current - Maximum per Contact	0.5A
Grounding to Panel	Drop-In
Shield Type	Full Shield
Shielded	Yes
Voltage - Maximum	30V DC

Solder Process Data

Lead-free Process Capability	Reflow Capable (SMT only)
Process Temperature max. C	260

Material Info

Reference - Drawing Numbers

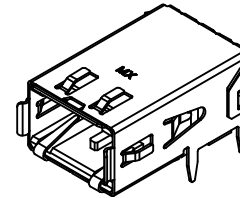
Packaging Specification	PK-74703-002
Product Specification	PS-74703-001
Sales Drawing	SD-74703-001

This document was generated on 05/27/2010

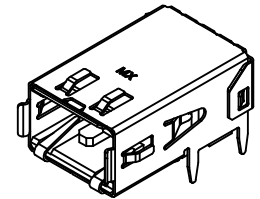
PLEASE CHECK WWW.MOLEX.COM FOR LATEST PART INFORMATION

NOTES:

1. MATERIALS: HOUSING - LIQUID CRYSTAL POLYMER, UL94 V-0, NATURAL
 TERMINAL - COPPER NICKEL SILICON ALLOY
 SHIELD - BRASS ALLOY
2. FINISHES:
 TERMINAL: 1.27 MICROMETERS MINIMUM SELECT GOLD AND
 3.81 MICROMETERS MINIMUM SELECT TIN OVER
 NICKEL UNDERPLATE OVERALL.
 SHELL: 3.00 MICROMETERS MINIMUM TIN OVER
 NICKEL UNDERPLATE OVERALL.
3. PACKAGE TAPE AND REEL PER PK-74703-001 AND
 PACKAGE TRAYS PER PK-74703-002.
4. PART CONFORMS TO SPECIFICATION PS-74703-001.
5. DROP-IN AND PRESS FIT ASSEMBLIES REQUIRED TO
 BE SOLDERED TO BOARD.



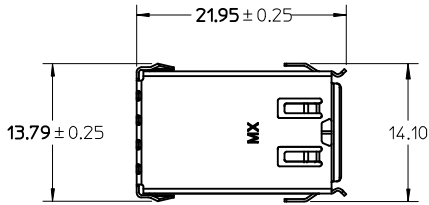
INFINIBAND KEYING
WITH DROP-IN SHIELD



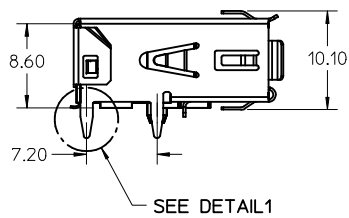
FIBRE CHANNEL KEYING
WITH DROP-IN SHIELD

NOTE FOR LEAD FREE CONVERSION:

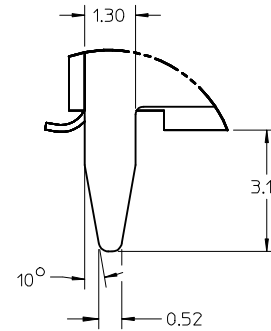
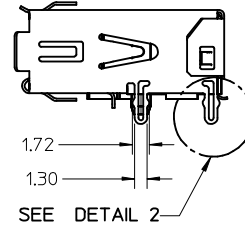
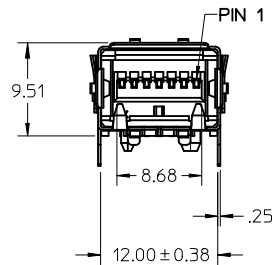
THE PRIMARY SHIPPING CARTON WILL BE LABELED "COMPLIANT TO RoHS DIRECTIVE 2002/95/EC AND ELV ANNEX II OF DIRECTIVE 2000/53/EC". CARTONS WITHOUT THIS LABEL MAY CONTAIN PRODUCT WITH LEAD.



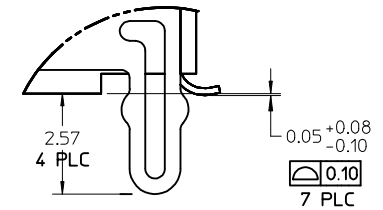
DROP-IN SHIELD



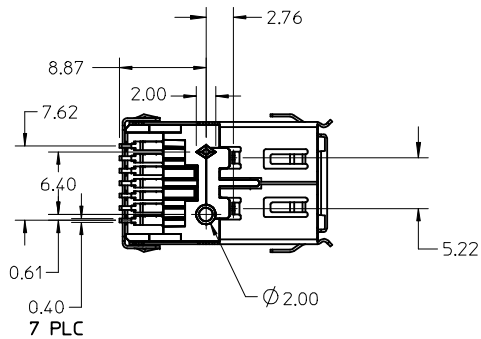
PRESS-FIT SHIELD



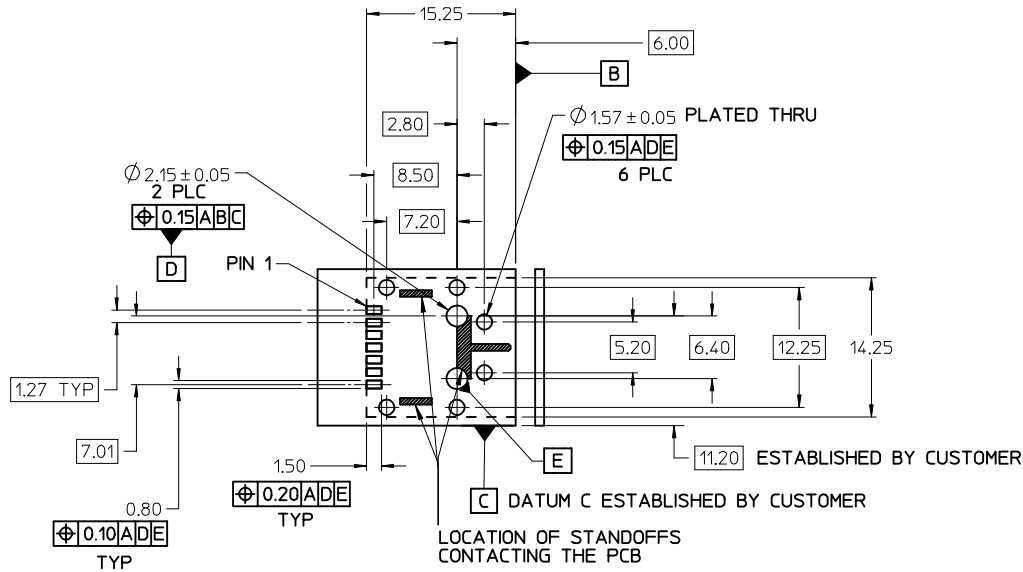
DETAIL 1
SCALE 8:1



DETAIL 2
SCALE 8:1

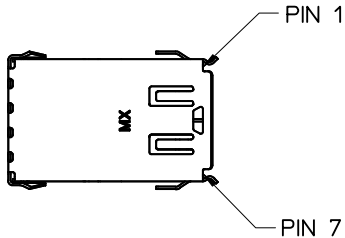


MODIFY TOLERANCE EC NO: UCP2009-1117 DR:WINSIBARRA 2008/10/29 CHK:D:MORGAN 2008/10/29 APPR:SMILLER 2008/10/30	QUALITY SYMBOLS ▽=0 ▽=0	GENERAL TOLERANCES (UNLESS SPECIFIED)		DIMENSION STYLE MM ONLY		SCALE 2:1	DESIGN UNITS METRIC	THIRD ANGLE PROJECTION			
		4 PLACES ± --- ± ---	3 PLACES ± --- ± ---	2 PLACES ± 0.13 ± ---	1 PLACE ± 0.25 ± ---	DRAWN BY KSTILES	DATE 10/06/2000	SALES DRAWING HSSDC2 RECEPTACLE ASSEMBLY			
		ANGULAR ± 3 °				CHECKED BY RSFOX	DATE 10/09/2000				
		DRAFT WHERE APPLICABLE MUST REMAIN WITHIN DIMENSIONS				APPROVED BY DBRINKMA	DATE 10/12/2000	MOLEX INCORPORATED		DOCUMENT NO. SD-74703-001	SHEET NO. 1 OF 3
H1	REV	MATERIAL NO.		SEE TABLE		THIS DRAWING CONTAINS INFORMATION THAT IS PROPRIETARY TO MOLEX INCORPORATED AND SHOULD NOT BE USED WITHOUT WRITTEN PERMISSION					

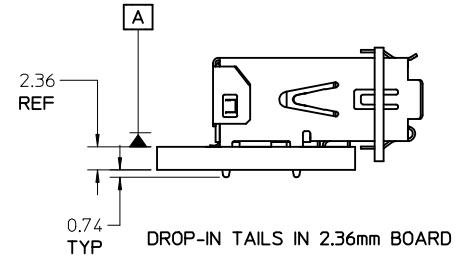
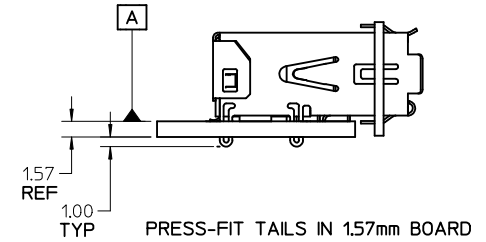
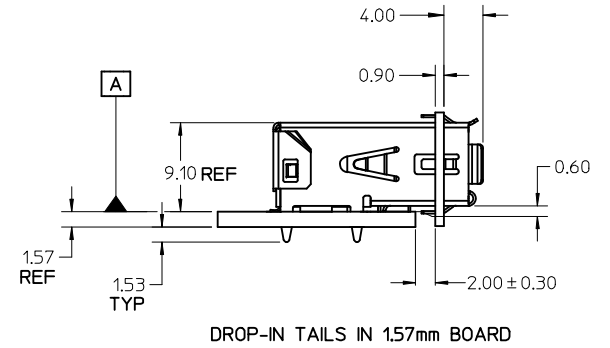


RECOMMENDED PCB LAYOUT
COMPONENT SIDE SHOWN

THE ENTIRE AREA OF THE CONNECTOR FOOTPRINT TO BE CONSIDERED THE KEEP OUT AREA (FOR COMPONENTS). THIS AREA IS INDICATED BY THE DASHED LINE.

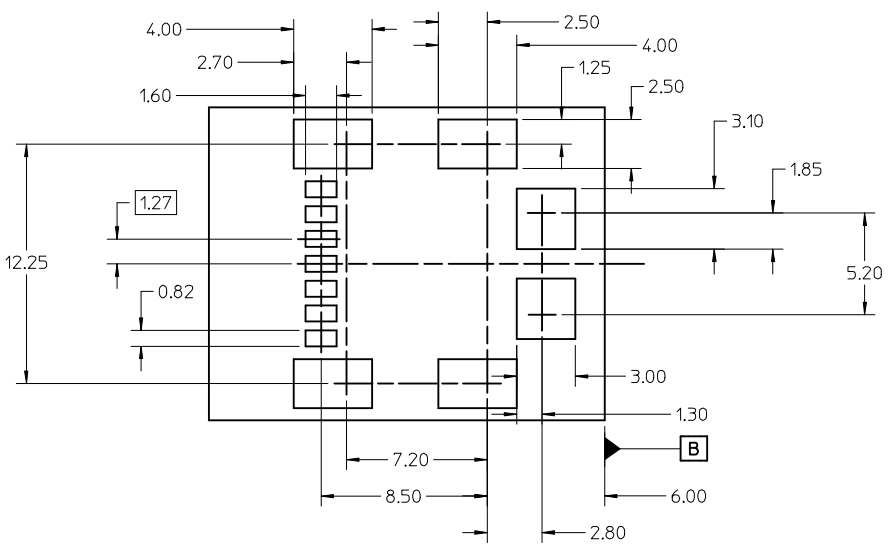


PIN NO.	INFINIBAND	FIBRE CHANNEL
1	G	G
2	R+	R-
3	R-	R+
4	G	G
5	T-	T+
6	T+	T-
7	G	G

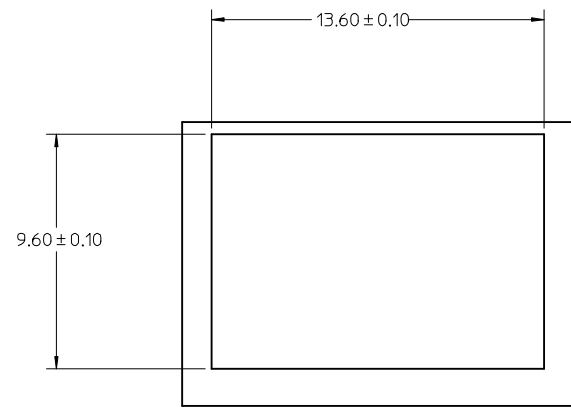


SEE SHEET 1 EC NO: UCP2009-1117 DRAWNS: IBARRA 2008/10/29 CHKD: DMORGAN 2008/10/29 APPR: SMILLER 2008/10/30 H1 REV	QUALITY SYMBOLS ▽=0 ▽=0	GENERAL TOLERANCES (UNLESS SPECIFIED)		DIMENSION STYLE		SCALE	DESIGN UNITS	THIRD ANGLE PROJECTION			
				MM ONLY		2:1	METRIC				
				DRAWN BY DATE		TILE		SALES DRAWING HSSDC2 RECEPTACLE ASSEMBLY MOLEX INCORPORATED			
				KSTILES 10/06/2000							
		CHECKED BY DATE		APPROVED BY DATE		DOCUMENT NO.		SHEET NO.			
		RSFOX 10/09/2000		DBRINKMA 10/12/2000		SD-74703-001		2 OF 3			
		1 PLACE ± 0.25 ± ---		MATERIAL NO.		SEE TABLE		THIS DRAWING CONTAINS INFORMATION THAT IS PROPRIETARY TO MOLEX INCORPORATED AND SHOULD NOT BE USED WITHOUT WRITTEN PERMISSION			
		ANGULAR ± 3 °									
		DRAFT WHERE APPLICABLE MUST REMAIN WITHIN DIMENSIONS									

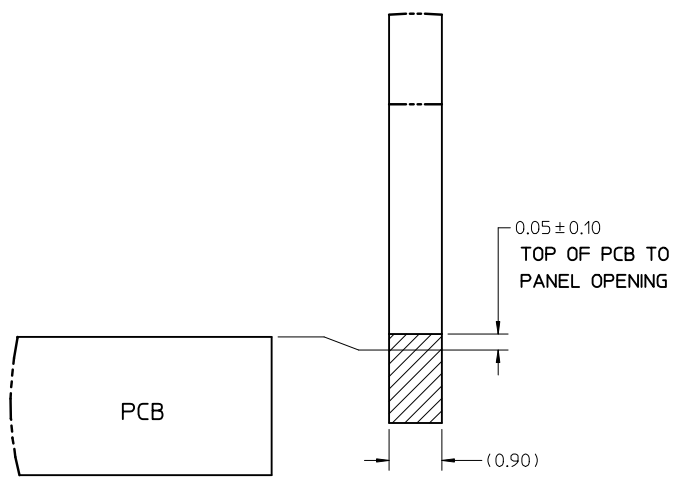
CKT. SIZE	MATERIAL NUMBER		KEYING OPTION	SHIELD OPTION
	TAPE/REEL	TRAY		
7	74703-0007	74703-0017	INFINIBAND	DROP-IN
7	74703-0107	74703-0117	FIBRE CHANNEL	DROP-IN
7	74703-0307	74703-0317	INFINIBAND	PRESS-FIT
7	74703-0407	74703-0417	FIBRE CHANNEL	PRESS-FIT



RECOMMENDED SMT STENCIL LAYOUT



RECOMMENDED PANEL OPENING



PARTIAL1 SCALE 12:1

SEE SHEET 1 EC NO: UCP2009-1117 DRAWN: MS.BARRA 2008/10/29 CHKD: DMORGAN 2008/10/29 APPR: SMILLER 2008/10/30	QUALITY SYMBOLS	GENERAL TOLERANCES (UNLESS SPECIFIED)	DIMENSION STYLE	SCALE	DESIGN UNITS	THIRD ANGLE PROJECTION	
	▼=0 ▽=0	mm INCH 4 PLACES ± --- ± --- 3 PLACES ± --- ± --- 2 PLACES ± 0.13 ± --- 1 PLACE ± 0.25 ± --- ANGULAR ± 3°	MM ONLY	2:1	METRIC		
		DRAFT WHERE APPLICABLE MUST REMAIN WITHIN DIMENSIONS	DRAWN BY: KSTILES CHECKED BY: RSFOX APPROVED BY: DBRINKMA MATERIAL NO.	DATE: 10/06/2000 DATE: 10/09/2000 DATE: 10/12/2000	TITLE: SALES DRAWING HSSDC2 RECEPTACLE ASSEMBLY MOLEX INCORPORATED DOCUMENT NO. SD-74703-001 SHEET NO. 3 OF 3		
			SEE TABLE	THIS DRAWING CONTAINS INFORMATION THAT IS PROPRIETARY TO MOLEX INCORPORATED AND SHOULD NOT BE USED WITHOUT WRITTEN PERMISSION			