

PLEASE CHECK WWW.MOLEX.COM FOR LATEST PART INFORMATION

Part Number: [0558830890](#)
Status: **Active**
Description: 3.30mm (.130") Pitch Wire-to-Board Header, Dual Row, with Positive Lock, Lead-free, 8 Circuits

Documents:

[3D Model](#) [Product Specification PS-51284-002 \(PDF\)](#)
[Drawing \(PDF\)](#) [RoHS Certificate of Compliance \(PDF\)](#)

General

Product Family PCB Headers
 Series [55883](#)
 Application Wire-to-Board
 Product Name N/A

Physical

Breakaway No
 Circuits (Loaded) 8
 Color - Resin Natural
 Durability (mating cycles max) 30
 First Mate / Last Break No
 Glow-Wire Compliant No
 Guide to Mating Part No
 Keying to Mating Part Yes
 Lock to Mating Part Yes
 Material - Metal Brass
 Material - Plating Mating Tin
 Material - Plating Termination Tin
 Number of Rows 1
 Orientation Vertical
 PC Tail Length (in) 0.138 In
 PC Tail Length (mm) 3.50 mm
 PCB Locator Yes
 PCB Retention Yes
 PCB Thickness Recommended (in) 0.062 In
 PCB Thickness Recommended (mm) 1.60 mm
 Packaging Type Tray
 Pitch - Mating Interface (in) 0.130 In
 Pitch - Mating Interface (mm) 3.30 mm
 Polarized to Mating Part Yes
 Polarized to PCB Yes
 Shrouded Fully
 Surface Mount Compatible (SMC) No
 Temperature Range - Operating -25°C to +85°C
 Termination Interface: Style Through Hole - Kinked Pin

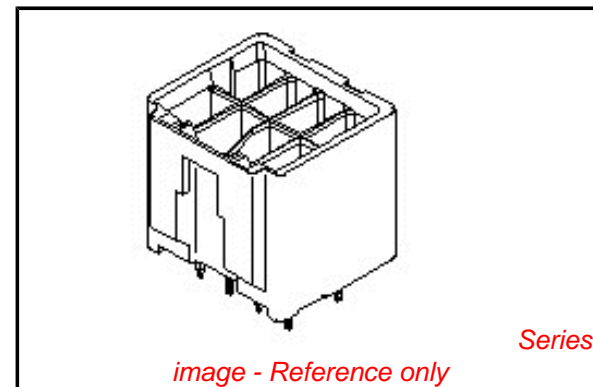
Electrical

Current - Maximum per Contact 4A
 Voltage - Maximum 300V

Material Info

Reference - Drawing Numbers

Product Specification PS-51284-002, RPS-51284-006, RPS-51284-007,
 RPS-51284-008, RPS-51284-009
 Sales Drawing SD-55883-010



EU RoHS

**ELV and RoHS
 Compliant**
REACH SVHC
 Not Reviewed
**Halogen-Free
 Status**

China RoHS



**Need more information on product
 environmental compliance?**

Email productcompliance@molex.com
 For a multiple part number RoHS Certificate of
 Compliance, [click here](#)

Please visit the [Contact Us](#) section for any
 non-product compliance questions.

Search Parts in this Series

[55883Series](#)

Mates With

[51284 Wire-to-Board Receptacle Housing](#)

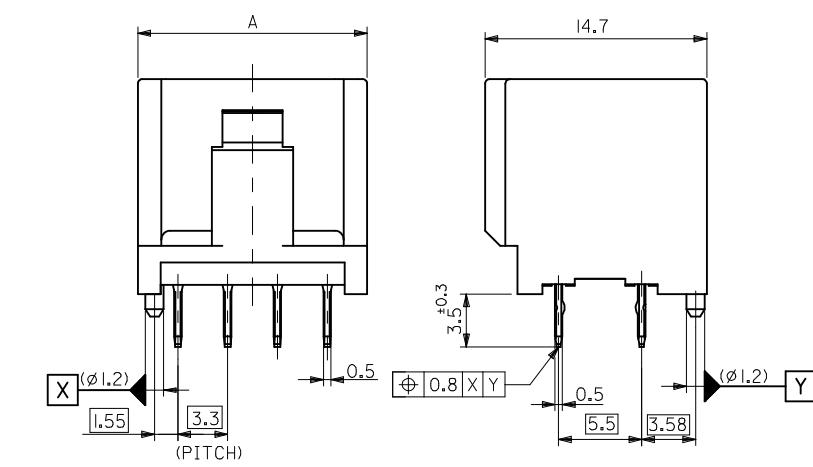
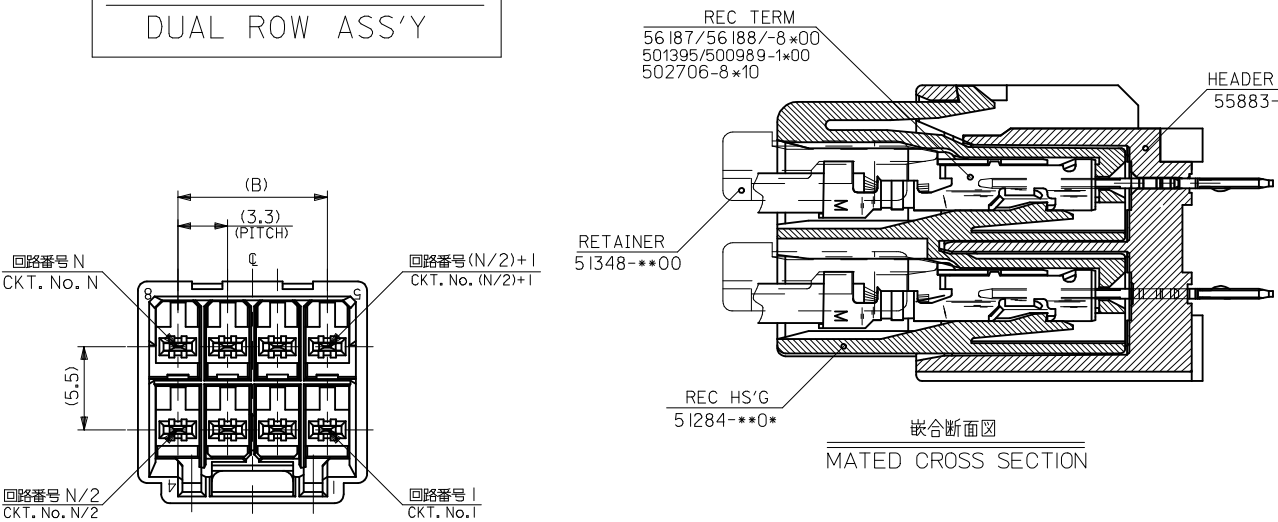
This document was generated on 04/21/2010

PLEASE CHECK WWW.MOLEX.COM FOR LATEST PART INFORMATION

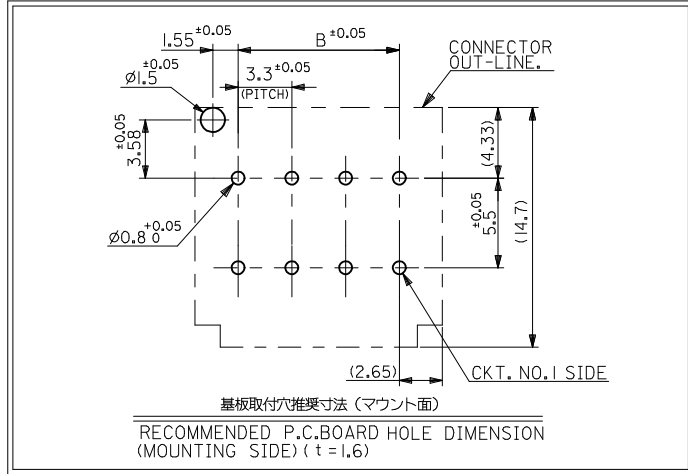
本図は2列品を示す
DUAL ROW ASS'Y

注記
NOTES

1. 材料
MATERIAL : 黄銅, ニッケル下地鍍メッキ
PIN : BRASS, TIN OVER NICKEL PLATED
ヘッダー : ポリアミド (PA), ガラス充填, UL94V-0
HEADER : POLYAMIDE(PA), GLASS FILLED, UL94V-0
2. 嵌合相手
MATE WITH : 51284-***8
3. ソルダータールキンは、両端のピンのみとする。
KINK TO BE APPLIED FOR 4 PINS AT BOTH ENDS.
- △ 極性用溝
POLARIZING KEY
5. ELV及びRoHS 適合品
ELV AND RoHS COMPLIANT



嵌合断面図
MATED CROSS SECTION

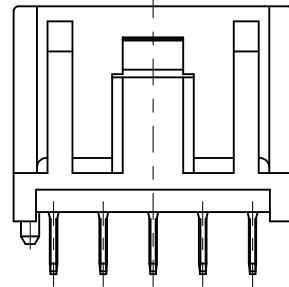
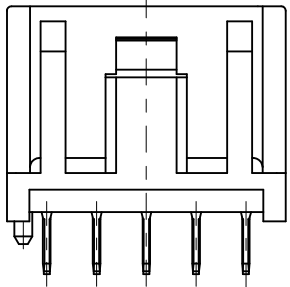
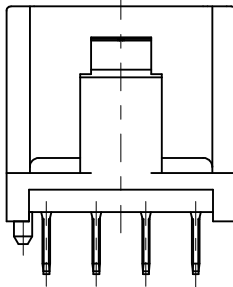
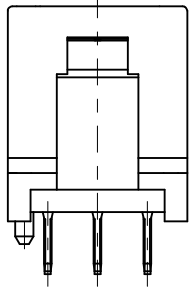
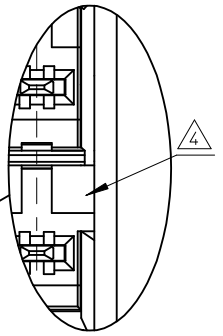
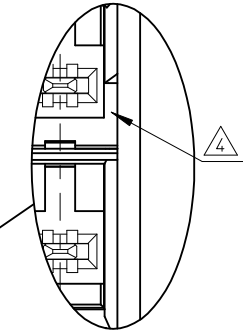
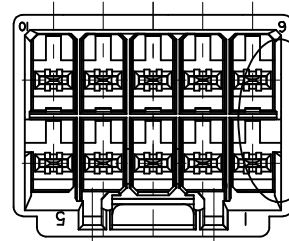
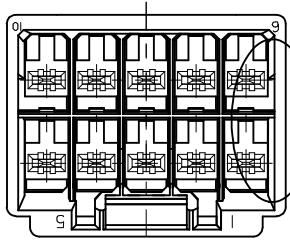
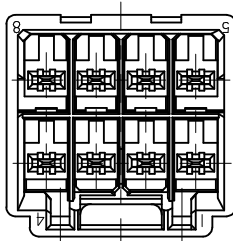
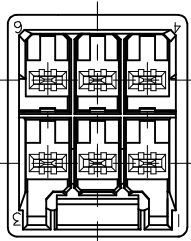


RECOMMENDED P.C. BOARD HOLE DIMENSION (MOUNTING SIDE) (t=1.6)

LOCK SIDE	BLACK	13.2	18.5	55883-1091	10	
	NATURAL (IVORY)			-1090		
	OPPOSITE SIDE OF LOCK	RED	9.9	15.2	-0892	8
		NATURAL (IVORY)			-0890	
MATING KEY POSITION (SEE SHEET 2 OF 3)	COLOR	B	A	-0690	6	
				TRAY PACKAGE 極数		
				オーダー番号 ORDER NO.	ORDERS	

REVISED EC NO: J2010-0432 DRW: NYOSHIKAWA 2009/09/11 CHK: K. ASAKAWA 2009/09/14 APPR: NUKITA 2009/09/15	DESCRIPTION REV	GENERAL TOLERANCES (UNLESS SPECIFIED)		DIMENSION STYLE MM ONLY	SCALE ---	CONNECTOR SERIES No. 55883-***9*		
		10 UNDER	±0.2	DRAWN BY J. KUGOU	DATE '04/02/12	DESIGN UNITS METRIC	THIRD ANGLE PROJECTION	
		10 OVER 30 UNDER	±0.25	CHECKED BY M. SASAO	DATE '04/02/12	3.3 WIRE TO BOARD CONN. HEADER ASS'Y		
		30 OVER	±0.3	APPROVED BY M. SASAO	DATE '04/02/12			
		ANGULAR	±3 °	MATERIAL NO.	DOCUMENT NO.	MOLEX INCORPORATED		
DRAFT WHERE APPLICABLE MUST REMAIN WITHIN DIMENSIONS		SIZE A3	SEE CHART	SD-55883-010	SHEET NO. 1 OF 3			

本図は2列品を示す
DUAL ROW ASS'Y



SHAPE OF
55883-0690
HEADER COLOR:NATURAL

SHAPE OF
55883-0890
HEADER COLOR:NATURAL
55883-0892
HEADER COLOR:RED

SHAPE OF
55883-1090
HEADER COLOR:NATURAL

SHAPE OF
55883-1091
HEADER COLOR:BLACK

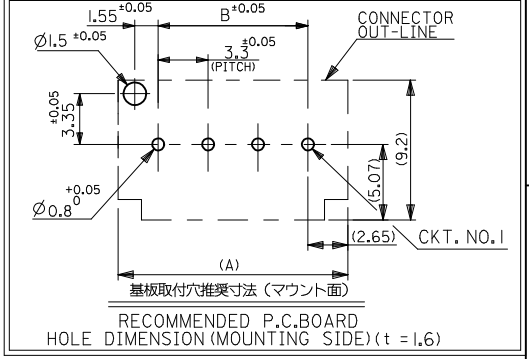
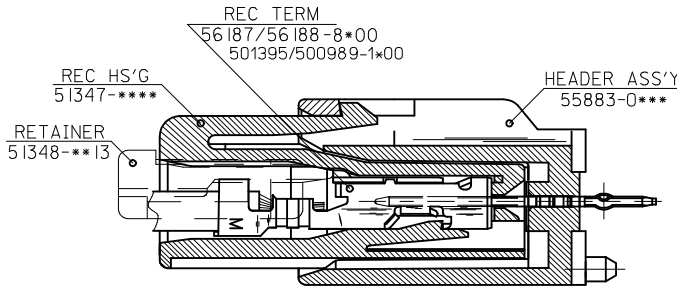
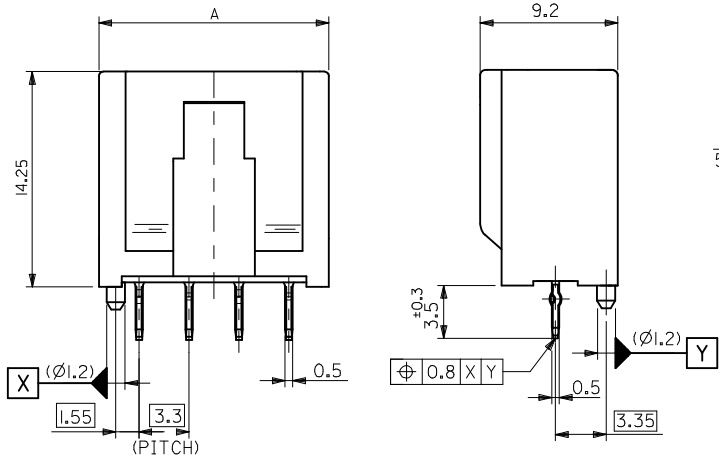
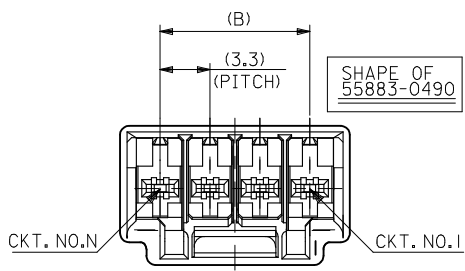
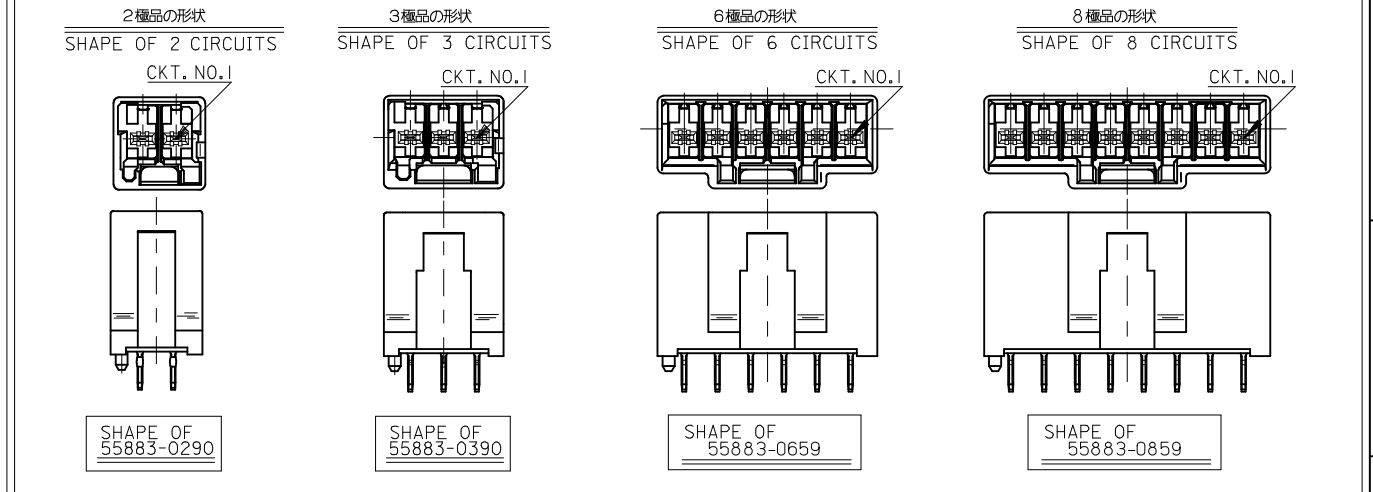
MATING KEY POSITION:OPPOSITE SIDE OF LOCK

MATING KEY POSITION:LOCK SIDE

極数レイアウト図
LAYOUT OF EACH CIRCUITS

REVISED EC NO. J2010-0432 DRAWN:YOSHIKAWA 2009/09/11 CHKDK:ASAKAWA 2009/09/14 APPR:NUKITA 2009/09/15	GENERAL TOLERANCES (UNLESS SPECIFIED)		DIMENSION STYLE MM ONLY	SCALE ---	DESIGN UNITS METRIC	THIRD ANGLE PROJECTION
	10 UNDER	±0.2	DRAWN BY J.KUGOU	DATE '04/02/12	TITLE 3.3 WIRE TO BOARD CONN. HEADER ASS'Y	
	10 OVER 30 UNDER	±0.25	CHECKED BY M.SASAO	DATE '04/02/12		
	30 OVER	±0.3	APPROVED BY M.SASAO	DATE '04/02/12	MOLEX INCORPORATED DOCUMENT NO. SD-55883-010 SHEET NO. 2 OF 3	
ANGULAR ±3 °		MATERIAL NO. SEE SHEET 1				
DRAFT WHERE APPLICABLE MUST REMAIN WITHIN DIMENSIONS		THIS DRAWING CONTAINS INFORMATION THAT IS PROPRIETARY TO MOLEX INCORPORATED AND SHOULD NOT BE USED WITHOUT WRITTEN PERMISSION				

本図は1列品を示す
SINGLE ROW ASS'Y



NATURAL (IVORY)	23.1	28.4	55883-0859	8
	16.5	21.8	55883-0659	6
	9.9	15.2	55883-0490	4
	6.6	11.9	55883-0390	3
	3.3	9.1	55883-0290	2
COLOR	B	A	TRAY PACKAGE	極数
			オーダー番号 ORDER NO.	CIRCUITS

注記 NOTES

- 材料 MATERIAL
ピン PIN : 黄銅, ニッケル下地鍍メッキ
: BRASS, TIN OVER NICKEL PLATED
ヘッダー HEADER : ホリアミド (PA), ガラス充填 UL94V-0
: POLYAMIDE (PA), GLASS FILLED, UL94V-0
- 嵌合相手 MATE WITH : 51347-****
- ELV及びRoHS 適合品
ELV AND RoHS COMPLIANT

REVISED EC NO: J2010-0432 DRWN: YOSHIKAWA 2009/09/11 CHKD: ASAKAWA 2009/09/14 APPR: NUKITA 2009/09/15	DESCRIPTION	GENERAL TOLERANCES (UNLESS SPECIFIED)		DIMENSION STYLE	SCALE	DESIGN UNITS		CONNECTOR SERIES No. 55883-0***		
				MM ONLY	---	METRIC	THIRD ANGLE PROJECTION			
		10 UNDER	±0.2	DRAWN BY	DATE	TITLE				
		10 OVER 30 UNDER	±0.25	J. KUGOU	'04/02/12	3.3 WIRE TO BOARD CONN. HEADER ASS'Y				
		30 OVER	±0.3	CHECKED BY	DATE					
		M. SASAO	'04/02/12							
		APPROVED BY	DATE							
		M. SASAO	'04/02/12							
		MATERIAL NO.		MOLEX INCORPORATED						
		SEE CHART		DOCUMENT NO. SD-55883-010						
		SIZE	A3	THIS DRAWING CONTAINS INFORMATION THAT IS PROPRIETARY TO MOLEX INCORPORATED AND SHOULD NOT BE USED WITHOUT WRITTEN PERMISSION						
				SHEET NO. 3 OF 3						