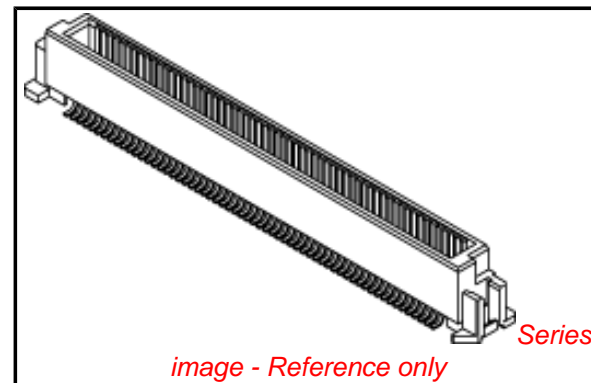


**PLEASE CHECK WWW.MOLEX.COM FOR LATEST PART INFORMATION**

**Part Number:** [0536250574](#)  
**Status:** **Active**  
**Overview:** [slimstack\\_0635mm\\_025\\_pitch](#)  
**Description:** 0.635mm (.025") Pitch SlimStack™ Header, Surface Mount, Dual Row, Vertical Stacking, 13.00mm (.512") Stack Height, Lead-free, 50 Circuits, with Embossed Tape with Cover Packaging

**Documents:**

[3D Model](#) [Product Specification PS-52760-015 \(PDF\)](#)  
[Drawing \(PDF\)](#) [RoHS Certificate of Compliance \(PDF\)](#)



**General**

|                |  |
|----------------|--|
| Product Family | PCB Headers                                |
| Series         | <a href="#">53625</a>                      |
| Application    | Board-to-Board                             |
| Comments       | Stacking-Type                              |
| Overview       | <a href="#">slimstack_0635mm_025_pitch</a> |
| Product Name   | SlimStack™                                 |

**Physical**

|                                |                                  |
|--------------------------------|----------------------------------|
| Breakaway                      | No                               |
| Circuits (Loaded)              | 50                               |
| Circuits (maximum)             | 50                               |
| Color - Resin                  | Natural                          |
| Durability (mating cycles max) | 50                               |
| First Mate / Last Break        | No                               |
| Glow-Wire Compliant            | No                               |
| Guide to Mating Part           | No                               |
| Keying to Mating Part          | None                             |
| Lock to Mating Part            | None                             |
| Mated Height (in)              | 0.276 In, 0.512 In               |
| Mated Height (mm)              | 13.00 mm, 7.00 mm                |
| Material - Metal               | Phosphor Bronze, Stainless Steel |
| Material - Plating Mating      | Gold                             |
| Material - Plating Termination | Tin                              |
| Material - Resin               | High Temperature Thermoplastic   |
| Number of Rows                 | 2                                |
| Orientation                    | Vertical                         |
| PCB Locator                    | Yes                              |
| PCB Retention                  | Yes                              |
| Packaging Type                 | Embossed Tape on Reel            |
| Pitch - Mating Interface (in)  | 0.025 In                         |
| Pitch - Mating Interface (mm)  | 0.64 mm                          |
| Plating min: Mating (µin)      | 10                               |
| Plating min: Mating (µm)       | 0.25                             |
| Plating min: Termination (µin) | 40                               |
| Plating min: Termination (µm)  | 1                                |
| Polarized to PCB               | Yes                              |
| Robotic Placement              | Metal Cap                        |
| Shrouded                       | Fully                            |
| Stackable                      | No                               |
| Temperature Range - Operating  | -55°C to +85°C                   |
| Termination Interface: Style   | Surface Mount                    |

**Electrical**

|                               |      |
|-------------------------------|------|
| Current - Maximum per Contact | 0.5A |
|-------------------------------|------|

|   |  |
|---|--|
| <b>EU RoHS</b><br><b>ELV and RoHS</b><br><b>Compliant</b><br><b>REACH SVHC</b><br><b>Contains SVHC: No</b><br><b>Halogen-Free</b><br><b>Status</b><br><b>Not Reviewed</b> | <b>China RoHS</b><br> |
|---|--|

**Need more information on product environmental compliance?**  
 Email [productcompliance@molex.com](mailto:productcompliance@molex.com)  
 For a multiple part number RoHS Certificate of Compliance, [click here](#)  
 Please visit the [Contact Us](#) section for any non-product compliance questions.

**Search Parts in this Series**  
[53625Series](#)

**Mates With**  
 SlimStack™ Receptacle [52760](#) , [52837](#) ,  
[52885](#) , [52901](#)

Voltage - Maximum

100V

**Material Info**

**Reference - Drawing Numbers**

Packaging Specification

SPK-53625-001

Product Specification

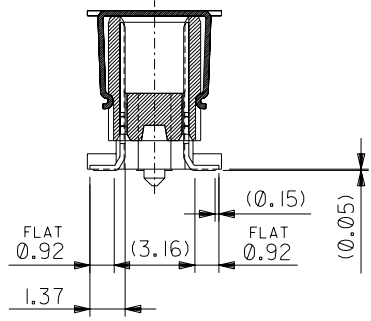
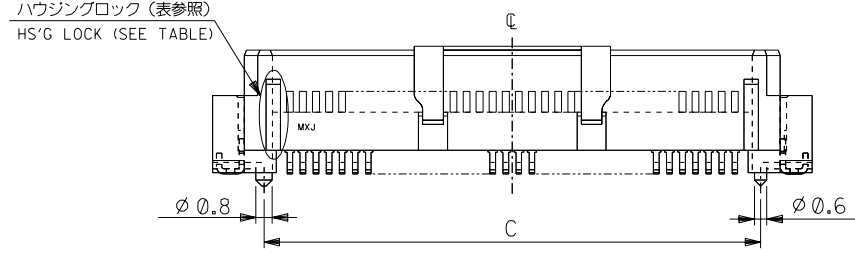
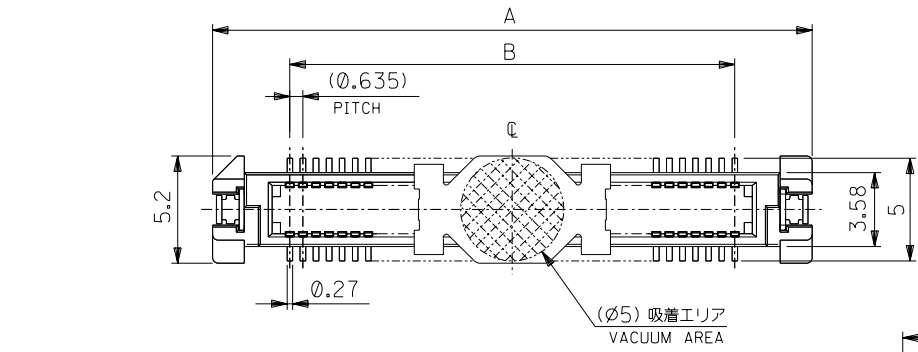
PS-52760-015, RPS-52760-017, RPS-52760-018,  
RPS-52760-020, RPS-52760-021, RPS-52760-027,  
RPS-52760-029

Sales Drawing

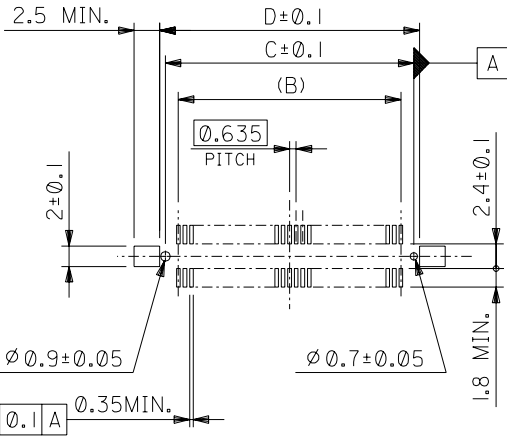
SD-53625-002, SD-53625-003

This document was generated on 05/25/2010

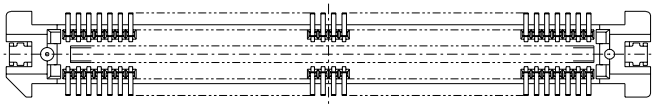
**PLEASE CHECK [WWW.MOLEX.COM](http://WWW.MOLEX.COM) FOR LATEST PART INFORMATION**



半田付け部詳細図  
DETAIL FOR SOLDERING AREA



推奨基板寸法  
RECOMMENDED PCB PATTERN LAYOUT  
(SCALE:2-1)

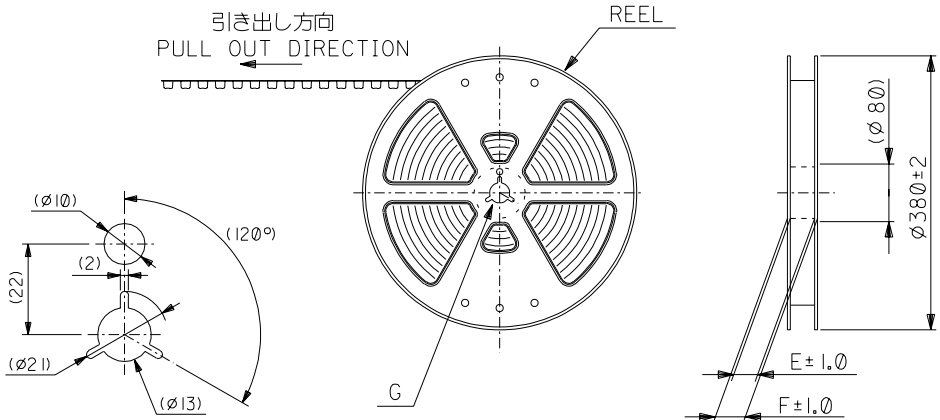


注) NOTES

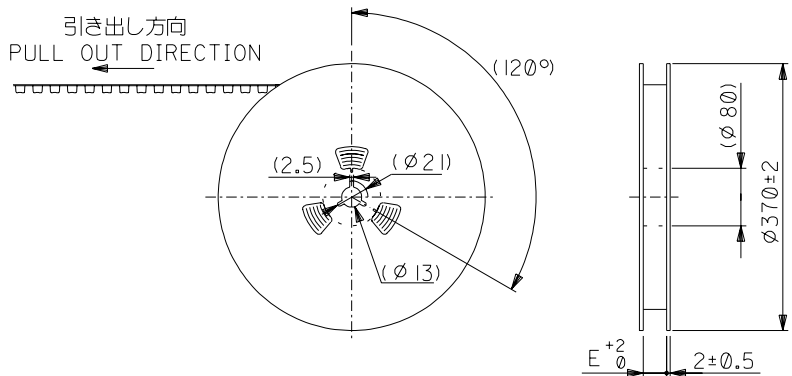
- 材質 MATERIAL  
ハウジング: ガラス入りPPS、茶色、UL94V-0  
HOUSING: G.F.PPS, BROWN, UL94V-0  
ターミナル: 銅合金 (t = 0.2)  
TERMINAL: COPPER ALLOY  
補強金具: 銅合金 (t = 0.25)  
FITTING NAIL: COPPER ALLOY  
吸着カバー: ステンレス (t = 0.2)  
VACUUM COVER: STAINLESS STEEL
- メッキ仕様 PLATING  
ターミナル: 接点部 : 金メッキ 0.25 μmMIN.  
TERMINAL: CONTACT AREA: GOLD 0.25 MICROMETER MIN.  
半田付け部: 錫メッキ 1.0 μmMIN.  
SOLDER TAIL AREA: TIN 1.0 MICROMETER MIN.  
下地メッキ: ニッケルメッキ 1.5 μmMIN.  
UNDER-PLATING: NICKEL 1.5 MICROMETER MIN.  
補強金具: 錫メッキ 1.0 μmMIN.  
FITTING NAIL: TIN 1.0 MICROMETER MIN.  
下地メッキ: ニッケルメッキ 1.0 μmMIN.  
UNDER-PLATING: NICKEL 1.0 MICROMETER MIN.
- テールのバラツキ寸法 TAIL COPLANARITY  
テール平坦度は、0.1 MAX.とする。  
TAILS COPLANARITY TO BE 0.1 MAX.
- エンボス対応済みの極数については、SD-53625-003を参照下さい。  
FOR THE EMBOSSED PACKAGE PRODUCTS, SEE SD-53625-003.
- 本製品は 53625-\*\*\*2 の鉛フリー品である。  
THIS PRODUCT IS LEAD FREE OF 53625-\*\*\*2.

|                       |       |       |        |            |                              |                      |                |                   |
|-----------------------|-------|-------|--------|------------|------------------------------|----------------------|----------------|-------------------|
| 無し<br>NO              | 79.17 | 78.07 | 75.565 | 83.07      | 53625-2474                   | 53625-2472           | 240            | ○                 |
|                       | 66.47 | 65.37 | 62.865 | 70.37      | —                            | -2072                | 200            | —                 |
|                       | 60.12 | 59.02 | 56.515 | 64.02      | —                            | -1872                | 180            | —                 |
|                       | 53.77 | 52.67 | 50.165 | 57.67      | 53625-1674                   | -1672                | 160            | ○                 |
|                       | 47.42 | 46.32 | 43.815 | 51.32      | ↑ -1474                      | -1472                | 140            | ○                 |
|                       | 41.07 | 39.97 | 37.465 | 44.97      | -1274                        | -1272                | 120            | ○                 |
|                       | 34.72 | 33.62 | 31.115 | 38.62      | -1074                        | -1072                | 100            | —                 |
|                       | 31.55 | 30.45 | 27.94  | 35.45      | -0974                        | -0972                | 90             | ○                 |
|                       | 28.37 | 27.27 | 24.765 | 32.27      | -0874                        | -0872                | 80             | ○                 |
|                       | 25.2  | 24.1  | 21.59  | 29.1       | -0774                        | -0772                | 70             | —                 |
| 有り<br>YES             | 24.56 | 23.46 | 20.955 | 28.46      | -6874                        | -6872                | 68             | —                 |
|                       | 22.02 | 20.92 | 18.415 | 25.92      | -0674                        | -0672                | 60             | —                 |
|                       | 18.85 | 17.75 | 15.24  | 22.75      | -0574                        | -0572                | 50             | ○                 |
|                       | 15.67 | 14.57 | 12.065 | 19.57      | -0474                        | -0472                | 40             | ○                 |
|                       | 12.5  | 11.4  | 8.89   | 16.4       | ↓ -0374                      | ↓ -0372              | 30             | ○                 |
| 9.32                  | 8.22  | 5.715 | 13.22  | 53625-0274 | 53625-0272                   | 20                   | —              |                   |
| ハウジングロック<br>HS'G LOCK | D     | C     | B      | A          | エンボス梱包<br>EMBOSSED PACKAGING | 製品番号<br>MATERIAL NO. | 極数<br>CKT. NO. | 量産対応<br>AVAILABLE |
|                       |       |       |        |            |                              | MODEL NO.            | 53625-***72    |                   |

|                            |       |           |                               |          |                      |                               |                                      |  |
|----------------------------|-------|-----------|-------------------------------|----------|----------------------|-------------------------------|--------------------------------------|--|
| 角度 ANGLE                   | ±3°   |           |                               |          | 材料 MATERIAL          | 注) 参照<br>SEE NOTES            | MOLEX-JAPAN CO., LTD.<br>日本モレックス株式会社 |  |
| 30°以上 OVER                 | +0.3  |           |                               |          | 仕上げ FINISH           | 注) 参照<br>SEE NOTES            |                                      | REVISE ONLY ON CAD SYSTEM  |
| 10°以上 OVER                 | +0.25 |           |                               |          | 適用電線範囲<br>WIRE RANGE | —                             |                                      | TITLE 名称   |
| 10° UNDER                  | +0.2  |           |                               |          | 被覆外径<br>INS. RANGE   | —                             |                                      | 0.635 PITCH B-TO-B CONN.<br>PLUG HS'G COVER ASS'Y<br>-LEAD FREE- |
| 一般公差<br>GENERAL TOLERANCES |       | 記号<br>LTR | 変更内容<br>REVISION RECORD       | DR. CHK. | 日付<br>DATE           | 材料<br>MATERIAL                | DWG. NO.                             | REV  |
|                            |       | 0         | 新規作成<br>RELEASED (J2004-4233) | Y.W.     | 04/05/14             | DRAWN BY: 04/05/14<br>Y.WADA  | CHK'D BY: 04/05/14<br>M.SASAO        | 0  |
|                            |       |           |                               |          |                      | APP'D BY: 04/05/14<br>M.SASAO | 尺度<br>SCALE 4-1                      | SD-53625-002   |



キャリアテープ幅：24mm～56mm  
CARRIER TAPE WIDTH : 24mm-56mm



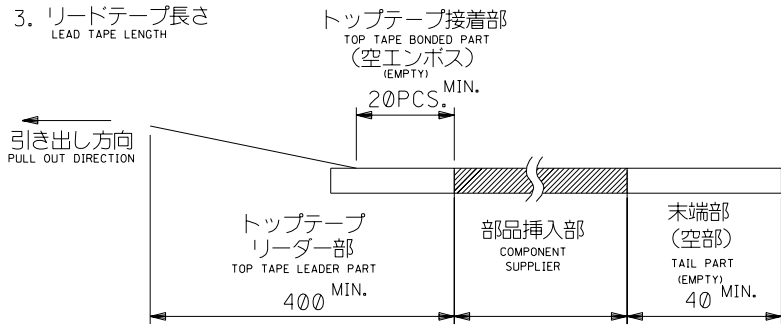
キャリアテープ幅：72mm～104mm  
CARRIER TAPE WIDTH : 72mm-104mm

注)  
NOTES

1. 製品番号 53625-\*\*\*72 の詳細寸法については、SD-53625-002 を参照下さい。  
IN THE PACKAGE ,PART NO.53625-\*\*\*72 DETAILED DIMENSIONS , SEE SD-53625-002

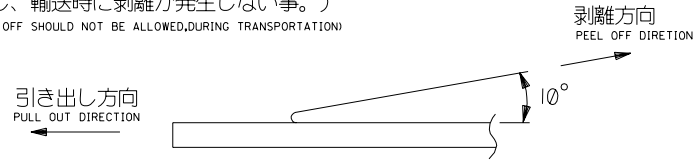
2. 梱包数量 : NUMBER OF CONNECTORS :

|          |               |
|----------|---------------|
| CIRCUITS | NUMBER        |
| OTHERS   | 1000 PCS/REEL |
| 240      | 800 PCS/REEL  |



4. トップテープの剥離強度 (剥離方向は下図参照)  
PEELING OFF FORCE OF TOP TAPE (PEELING DIRECTION AS SHOWN IN FOLLOWING FIG.)  
0.1~1.3N (10~130gf) ; キャリアテープ幅 24mm～104mm  
0.1-1.3N (10-130gf) ; CARRIER TAPE WIDTH 24mm-104mm

尚、本規格値は、出荷時に適用。  
THIS REQUIREMENT SHOULD BE APPLIED AT SHIPMENT  
(但し、輸送時に剥離が発生しない事。)  
(PEEL OFF SHOULD NOT BE ALLOWED,DURING TRANSPORTATION)



5. 材料 MATERIAL  
キャリアテープ : ポリプロピレン (PP)  
CARRIER TAPE : POLYPROPYLENE (PP)  
トップテープ : PET, PE, PEF  
TOP TAPE : PET, PE, PEF  
リール REEL : キャリアテープ幅 24mm～56mm : ポリスチレン  
CARRIER TAPE WIDTH 24mm-56mm ; POLYSTYRENE  
キャリアテープ幅 72mm～104mm : 紙  
CARRIER TAPE WIDTH 72mm-104mm ; CARD BOARD

6. 本製品は53625-\*\*\*4の鉛フリー品である。  
THIS PRODUCT IS LEAD FREE OF 53625-\*\*\*4.

MODEL NO. 53625-\*\*\*74

|                            |                             |
|----------------------------|-----------------------------|
| 材料 MATERIAL                | 注参照 SEE NOTES               |
| 仕上げ FINISH                 | —                           |
| 適用電線範囲 WIRE RANGE          | —                           |
| 被覆外径 INS. RANGE            | —                           |
| DRAWN BY '04/05/14 Y.WADA  | CHK'D BY '04/05/14 M.SASAO  |
| APP'D BY '04/05/14 M.SASAO | 尺度 SCALE —                  |
| 角度 ANGLE                   | +30                         |
| 30 以上 OVER                 | +0.3                        |
| 10 以上 30 未満 UNDER          | +0.25                       |
| 未満 UNDER                   | +0.2                        |
| 新規作成 RELEASED (J2004-4233) | DR. DATE '04/05/14          |
| 一般公差 GENERAL TOLERANCES    | 記号 LTR 変更内容 REVISION RECORD |
|                            | DR. CHK. 日付 DATE            |

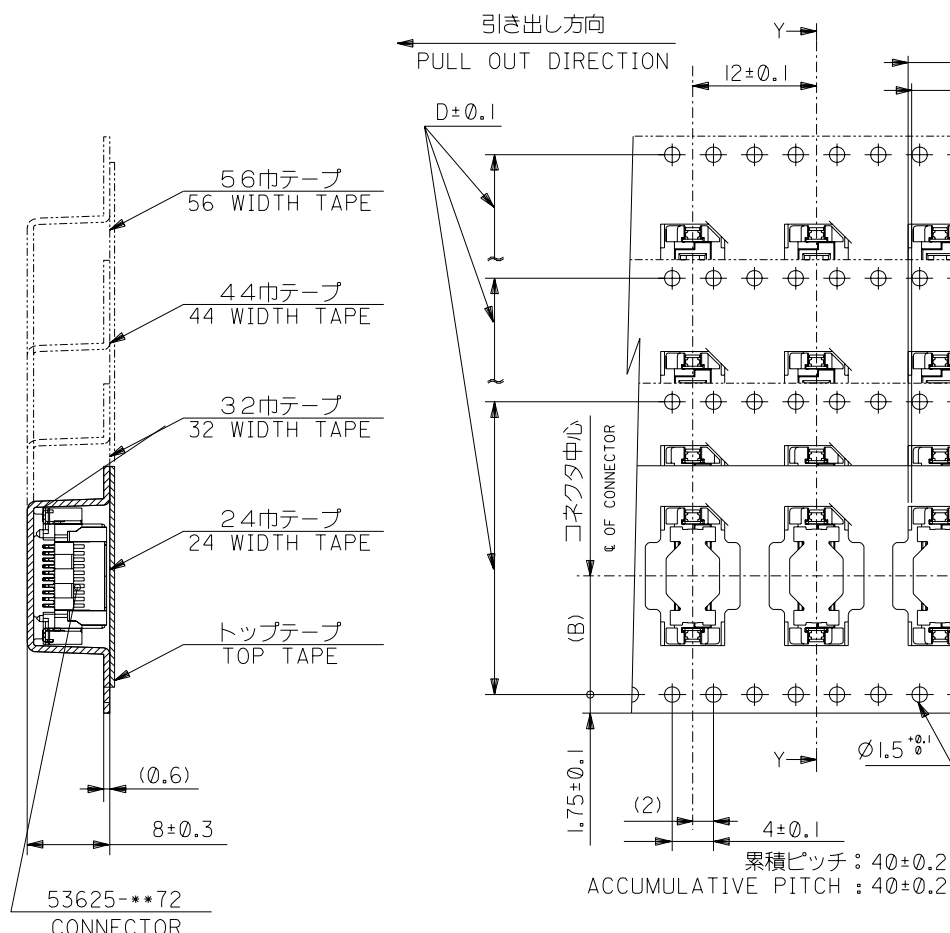
MOLEX JAPAN CO.,LTD.  
日本モレックス株式会社

REVISE ONLY ON CAD SYSTEM

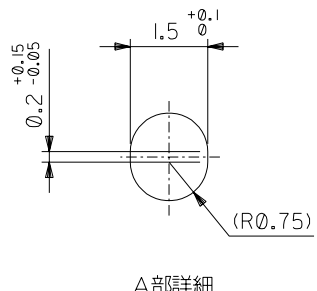
TITLE 名称  
53625-\*\*\*72  
TAPING PACKAGE  
-LEAD FREE-

DWG. NO. (SHEET 1 OF 3) REV 0  
SD-53625-003

DWG. NO.  
SD-53625-003



断面 Y-Y  
SECTION Y-Y



|      |      |      |                    |      |      |              |                    |                   |
|------|------|------|--------------------|------|------|--------------|--------------------|-------------------|
| 61.4 | 57.4 | 52.4 | 56 <sup>±0.3</sup> | 26.2 | 38.9 | 53625-1074   | 100                | —                 |
|      |      |      |                    |      | 35.8 | -0974        | 90                 | ○                 |
| 49.4 | 45.4 | 40.4 | 44 <sup>±0.3</sup> | 20.2 | 32.6 | -0874        | 80                 | ○                 |
|      |      |      |                    |      | 29.4 | -0774        | 70                 | —                 |
|      |      |      |                    |      | 28.8 | -6874        | 68                 | —                 |
|      |      |      |                    |      | 26.2 | -0674        | 60                 | —                 |
|      |      |      |                    |      | 23.1 | -0574        | 50                 | ○                 |
| 37.4 | 33.4 | 28.4 | 32 <sup>±0.3</sup> | 14.2 | 19.9 | -0474        | 40                 | ○                 |
|      |      |      |                    |      | 16.7 | -0374        | 30                 | ○                 |
| 29.4 | 25.4 | —    | 24 <sup>±0.3</sup> | 11.5 | 13.5 | 53625-0274   | 20                 | —                 |
| F    | E    | D    | C                  | (B)  | (A)  | MATERIAL NO. | 極数<br>NO. OF CXTS. | 量産対応<br>AVAILABLE |

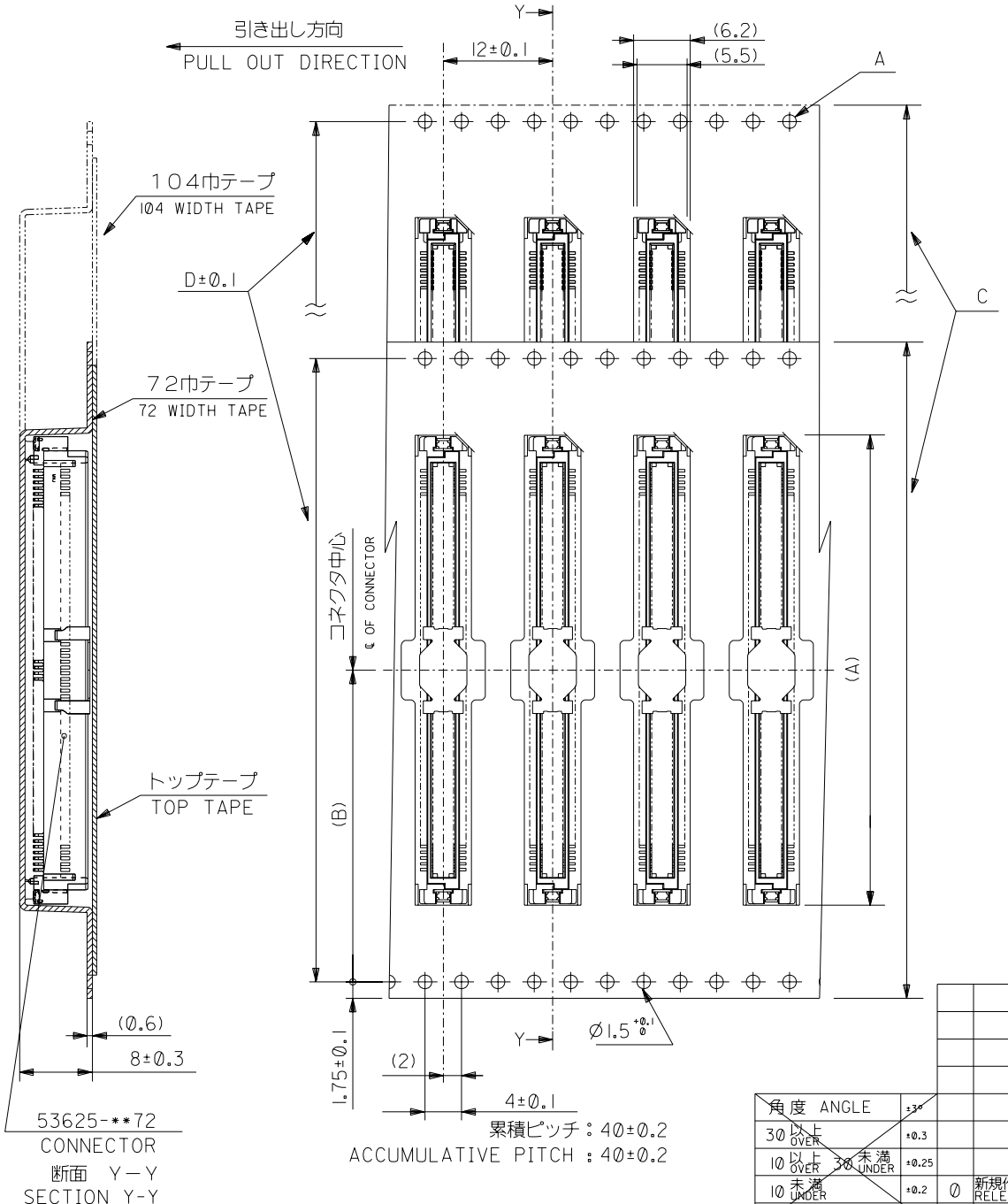
|                         |        |                      |          |         |          |                              |                               |   |                                     |
|-------------------------|--------|----------------------|----------|---------|----------|------------------------------|-------------------------------|---|-------------------------------------|
| 角度 ANGLE                |        | ±30                  |          |         |          | 材料 MATERIAL                  | 注参照 SEE NOTES                 | MOLEX                                       | MOLEX-JAPAN CO.,LTD.<br>日本モレックス株式会社 |
| 30以上 OVER               |        | ±0.3                 |          |         |          | 仕上げ FINISH                   | —                             | REVISE ONLY ON CAD SYSTEM                   |                                     |
| 10以上 OVER 30 UNDER      |        | ±0.25                |          |         |          | 適用電線範囲 WIRE RANGE            | —                             | TITLE 名称                                    |                                     |
| 未滿 10 UNDER             |        | ±0.2                 |          |         |          | 被覆外径 INS. RANGE              | —                             | 53625-**72<br>TAPING PACKAGE<br>-LEAD FREE- |                                     |
| 一般公差 GENERAL TOLERANCES | 記号 LTR | 変更内容 REVISION RECORD | DR. CHK. | 日付 DATE | 尺度 SCALE | DRAWN BY '04/05/14<br>Y.WADA | CHK'D BY '04/05/14<br>M.SASAO | DWG. NO.                                    | (SHEET 2 OF 3)                      |
|                         |        |                      |          |         |          | 新規作成 RELEASED (J2004-4233)   |                               | SD-53625-003                                | REV 0                               |

THIS DRAWING CONTAINS INFORMATION THAT IS PROPRIETARY TO MOLEX(JAPAN) AND SHOULD NOT BE USED WITHOUT WRITTEN PERMISSION  
本図面は日本モレックス(株)の所有する情報を含むもので 当社の許可なく複製を禁止する。 EN-01C(032)MXJ-32

:MM DIMENSIONS IN METRIC DO NOT SCALE DRAWING

SD-53625-003.S03

DIMENSIONS IN METRIC DO NOT SCALE DRAWING  
 DWG. NO. SD-53625-003



|       |       |         |                                |      |            |              |                    |                   |
|-------|-------|---------|--------------------------------|------|------------|--------------|--------------------|-------------------|
| 104.4 | 100.4 | 104±0.3 | 50.2                           | 83.4 | 53625-2474 | 240          | ○                  |                   |
| 72.4  | 68.4  | 72±0.3  | 34.2                           | 58   | 53625-1674 | 160          | ○                  |                   |
|       |       |         |                                | 51.6 | 53625-1474 | 140          | ○                  |                   |
|       |       |         |                                | 45.3 | 53625-1274 | 120          | ○                  |                   |
| E     | D     | C       | キャリアテープ幅<br>CARRIER TAPE WIDTH | (B)  | (A)        | MATERIAL NO. | 極数<br>NO. OF XTLS. | 量産対応<br>AVAILABLE |

MODEL NO. 53625-\*\*\*74

|                               |                               |
|-------------------------------|-------------------------------|
| 材料<br>MATERIAL                | 注参照<br>SEE NOTES              |
| 仕上げ<br>FINISH                 | —                             |
| 適用電線範囲<br>WIRE RANGE          | —                             |
| 被覆外径<br>INS. RANGE            | —                             |
| DRAWN BY '04/05/14<br>Y.WADA  | CHK'D BY '04/05/14<br>M.SASAO |
| APP'D BY '04/05/14<br>M.SASAO | 尺度<br>SCALE —                 |
| 角度 ANGLE                      | 30                            |
| 30 以上 OVER                    | +0.3                          |
| 10 以上 30 未満 OVER 30 UNDER     | +0.25                         |
| 10 未満 UNDER                   | +0.2                          |
| 一般公差<br>GENERAL TOLERANCES    | 新規作成<br>RELEASED (J2004-4233) |
| 記号<br>LTR                     | 変更内容<br>REVISION RECORD       |
| DR. CHK.                      | 日付<br>DATE                    |

MOLEX-JAPAN CO.,LTD.  
 日本モレックス株式会社  
 REVISE ONLY ON CAD SYSTEM  
 TITLE 名称  
 53625-\*\*\*72  
 TAPING PACKAGE  
 -LEAD FREE-  
 DWG. NO. (SHEET 3 OF 3) REV  
 SD-53625-003 0