

PLEASE CHECK WWW.MOLEX.COM FOR LATEST PART INFORMATION

Part Number: [0394220007](#)
Status: **Active**
Description: 12.00mm (.472") Pitch Beau™ EuroMax™ Horizontal Plug, with Retention Screws, 7 Circuits

Documents:

[Drawing \(PDF\)](#) [RoHS Certificate of Compliance \(PDF\)](#)

General

Product Family	Terminal Blocks
Series	39422
Application	Wire-to-Board
Component Type	Plug
Product Name	EuroMax™ Pluggable
Type	Euro Block

Physical

Circuits (Loaded)	7
Color - Resin	Black
Entry Angle	180° Angle
Lock to Mating Part	Yes
Material - Metal	Brass
Material - Plating Mating	Tin
Material - Plating Termination	Tin
Material - Resin	Polyester
Number of Rows	1
Orientation	Horizontal
PCB Retention	N/A
Panel Mount	No
Pitch - Mating Interface (in)	0.472 In
Pitch - Mating Interface (mm)	12.00 mm
Plating min: Mating (µin)	150
Plating min: Mating (µm)	3.75
Plating min: Termination (µin)	150
Plating min: Termination (µm)	3.75
Polarized to Mating Part	Yes
Stackable	No
Temperature Range - Operating	130°C
Wire Size AWG	10, 12, 14, 3, 4, 6, 8

Electrical

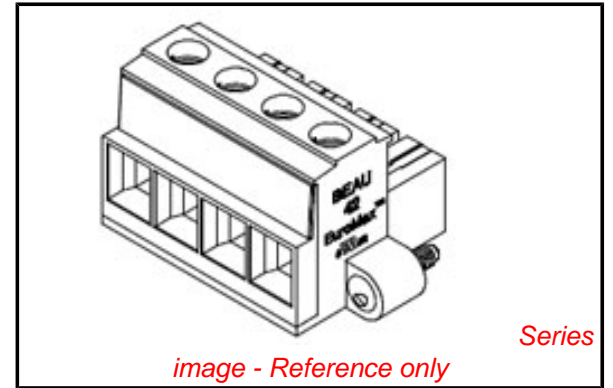
Current - Maximum per Contact	85A
Voltage - Maximum	600V

Material Info

Old Part Number	424507
-----------------	--------

Reference - Drawing Numbers

Sales Drawing	SD-39422-001
---------------	--------------



EU RoHS

RoHS Compliant by Exemption

REACH SVHC

Not Reviewed

Halogen-Free

Status

Not Reviewed

Need more information on product environmental compliance?

Email productcompliance@molex.com
 For a multiple part number RoHS Certificate of Compliance, [click here](#)

Please visit the [Contact Us](#) section for any non-product compliance questions.

China RoHS



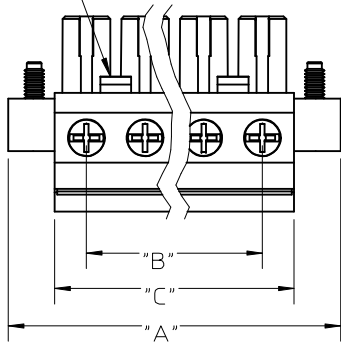
Search Parts in this Series

[39422Series](#)

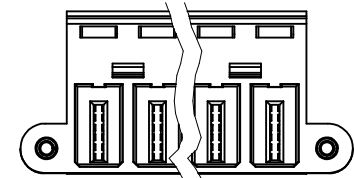
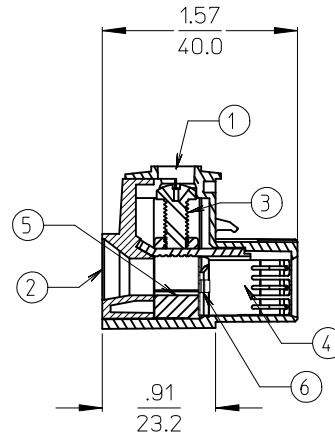
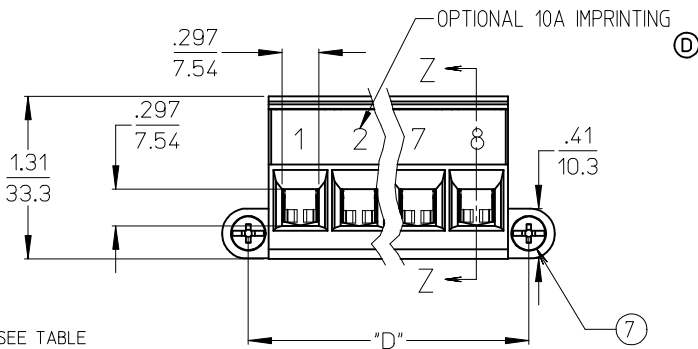
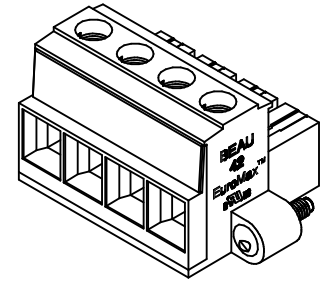
Mates With

[39426-0007](#) Horizontal PCB Header, with Threaded Retention Inserts

2 AND 3 CIRCUIT PARTS HAVE ONE LATCH DETAIL POSITIONED ON THIS END.



NO. OF CIRC.	STD. MAT. NUMBER	OPTIONAL 10A IMPRINT	"A" IN/MM	"B" IN/MM	"C" IN/MM	"D" IN/MM
02	394220002	394222002	1.73/44.0	.472/12.00	.98/25.0	1.313/33.35
03	394220003	394222003	2.20/56.0	.945/24.00	1.46/37.0	1.785/45.35
04	394220004	394222004	2.68/68.0	1.417/36.00	1.93/49.0	2.258/57.35
05	394220005	394222005	3.15/80.0	1.890/48.00	2.40/61.0	2.730/69.35
06	394220006	394222006	3.62/92.0	2.362/60.00	2.87/73.0	3.203/81.35
07	394220007	394222007	4.09/104.0	2.835/72.00	3.35/85.0	3.675/93.35
08	394220008	394222008	4.57/116.0	3.307/84.00	3.82/97.0	4.148/105.35



- NOTES:
1. MATERIAL: SEE TABLE
 2. FINISHES: SEE TABLE
 3. PRODUCT SPECIFICATION: SEE PPS.42.002
 4. IMPRINTING CHARACTER HEIGHT IS .170" ⓐ
 5. ROHS COMPLIANT BY EXEMPTION *

7	2	SCREW, MTG. END, M4, PHIL-SLOT	PHOS. BRONZE	TIN PLATE
6	XX	BACK PLATE	PHOS. BRONZE	TIN PLATE
5	XX	PRESSURE CLAMP *	BRASS	NICKEL PLATE
4	XX	TERMINAL	COPPER ALLOY	TIN PLATE
3	XX	SCREW, M5 PAN HEAD, POZI-SLOT	STAINLESS STEEL	TIN PLATE
2	1	MOLDING COVER	POLYESTER (PBT)	BLACK
1	1	MOLDING, BODY, WITH MTG ENDS	POLYESTER (PBT)	BLACK
ITEM	QTY.	DESCRIPTION	MATERIAL	FINISH

ADD 10A OPTION
 EC NO: WNA2009-0615
 /DRWN: JENCINAS 2009/04/09
 /CHKD: CYORK 2009/04/09
 /APPR: JMAGNELL 2009/04/13

QUALITY SYMBOLS
 ▽=0
 ▽=0

GENERAL TOLERANCES (UNLESS SPECIFIED)	
mm	INCH
4 PLACES ± ---	± ---
3 PLACES ± ---	± .005
2 PLACES ± 0.13	± .01
1 PLACE ± 0.3	± ---
ANGULAR ± 1/2°	

DIMENSION STYLE	
IN/MM	
DRAWN BY	DATE
CKEMP	04/10/13
CHECKED BY	DATE
RSTONE	04/12/07
APPROVED BY	DATE
G. ROBERTSON	04/12/10
MATERIAL NO.	

SCALE 4:1 DESIGN UNITS INCH THIRD ANGLE PROJECTION

TITLE PLUG, MTG, ENDS 12MM, 85A, 600V #10-#3 AWG

molex MOLEX INCORPORATED

DOCUMENT NO. SD-39422-001 SHEET NO. 1 OF 1

THIS DRAWING CONTAINS INFORMATION THAT IS PROPRIETARY TO MOLEX INCORPORATED AND SHOULD NOT BE USED WITHOUT WRITTEN PERMISSION

DRAFT WHERE APPLICABLE MUST REMAIN WITHIN DIMENSIONS