

**PLEASE CHECK WWW.MOLEX.COM FOR LATEST PART INFORMATION**

**Part Number:** [0193172022](#)  
**Status:** **Active**  
**Overview:** [versakrimp terminals and splices](#)  
**Description:** VersaKrimp™ SL Ring Type Connectors, Tin Plated Copper, Wire Size 300MCM-350MCM, 7/8" Stud Size

**Documents:**

[Drawing \(PDF\)](#) [RoHS Certificate of Compliance \(PDF\)](#)

**General**

|                         |  |
|-------------------------|--|
| Product Family          | Ring and Spade Terminals                         |
| Series                  | <a href="#">19317</a>                            |
| Comments                | 310.0A   |
| Crimp Quality Equipment | Yes  |
| Mil-Spec                | N/A  |
| Overview                | <a href="#">versakrimp terminals and splices</a> |
| Product Name            | VersaKrimp™                                      |
| Type                    | Ring   |

**Physical**

|                           |                 |
|---------------------------|-----------------|
| Barrel Type               | Closed - Brazed |
| Insulation                | None            |
| Material - Metal          | Copper          |
| Material - Plating Mating | Tin             |
| Packaging Type            | Bag             |
| Stud Size                 | 7/8" (M20)      |
| Wire Size AWG             | 300MCM, 350MCM  |

**Material Info**

**Reference - Drawing Numbers**

|               |              |
|---------------|--------------|
| Sales Drawing | SD-19317-001 |
|---------------|--------------|



*image - Reference only*

**EU RoHS**

**ELV and RoHS  
Compliant**  
**REACH SVHC  
Not Reviewed**  
**Halogen-Free  
Status  
Not Reviewed**

**China RoHS**



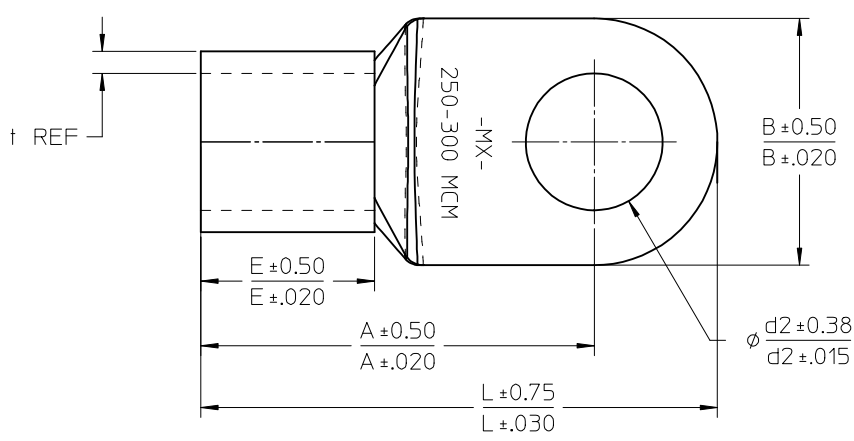
**Need more information on product  
environmental compliance?**

Email [productcompliance@molex.com](mailto:productcompliance@molex.com)  
 For a multiple part number RoHS Certificate of Compliance, [click here](#)

Please visit the [Contact Us](#) section for any non-product compliance questions.

**Search Parts in this Series**  
[19317Series](#)

**PLEASE CHECK WWW.MOLEX.COM FOR LATEST PART INFORMATION**

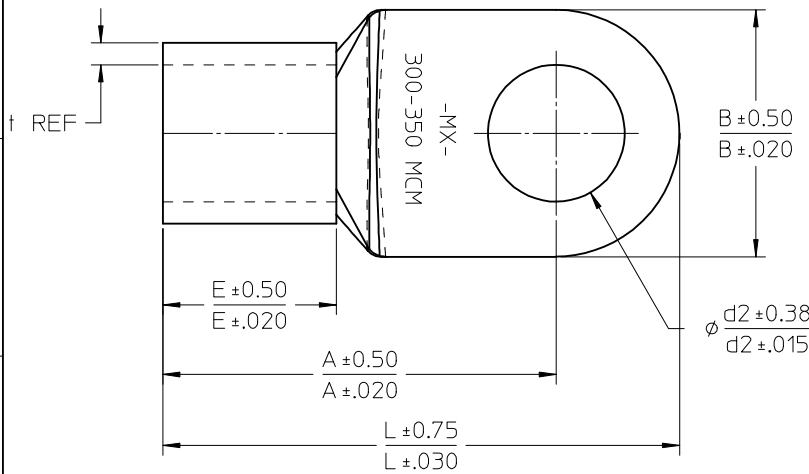


19317-4027 SHOWN

- NOTES:  
 1. MATERIAL: TIN PLATED COPPER  
 2. PRODUCT IS ROHS COMPLIANT  
 3. TERMINAL MARKED AS SHOWN

| MATERIAL NO. | WIRE RANGE<br>MCM | mm <sup>2</sup> | A            |              | B            |              | d1 $\phi$    |              | E           |   | L |  | mm | inch |
|--------------|-------------------|-----------------|--------------|--------------|--------------|--------------|--------------|--------------|-------------|---|---|--|----|------|
|              |                   |                 | A            | B            | d1 $\phi$    | d2 $\phi$    | E            | L            | t           | t |   |  |    |      |
| 193171008    | 250-300           | 117-152         | 50.0<br>1.97 | 36.0<br>1.42 | 19.5<br>0.77 | 8.4<br>0.33  | 27.0<br>1.06 | 66.0<br>2.60 | 3.2<br>0.13 |   |   |  |    |      |
| 193171010    | 250-300           | 117-152         | 50.0<br>1.97 | 36.0<br>1.42 | 19.5<br>0.77 | 10.5<br>0.41 | 27.0<br>1.06 | 66.0<br>2.60 | 3.2<br>0.13 |   |   |  |    |      |
| 193171012    | 250-300           | 117-152         | 50.0<br>1.97 | 36.0<br>1.42 | 19.5<br>0.77 | 13.0<br>0.51 | 27.0<br>1.06 | 66.0<br>2.60 | 3.2<br>0.13 |   |   |  |    |      |
| 193171014    | 250-300           | 117-152         | 50.0<br>1.97 | 36.0<br>1.42 | 19.5<br>0.77 | 15.0<br>0.59 | 27.0<br>1.06 | 66.0<br>2.60 | 3.2<br>0.13 |   |   |  |    |      |
| 193171016    | 250-300           | 117-152         | 50.0<br>1.97 | 36.0<br>1.42 | 19.5<br>0.77 | 17.0<br>0.67 | 27.0<br>1.06 | 66.0<br>2.60 | 3.2<br>0.13 |   |   |  |    |      |
| 193171110    | 250-300           | 117-152         | 63.0<br>2.48 | 36.0<br>1.42 | 19.5<br>0.77 | 10.5<br>0.33 | 27.0<br>1.06 | 81.0<br>3.19 | 3.2<br>0.13 |   |   |  |    |      |
| 193171112    | 250-300           | 117-152         | 63.0<br>2.48 | 36.0<br>1.42 | 19.5<br>0.77 | 13.0<br>0.51 | 27.0<br>1.06 | 81.0<br>3.19 | 3.2<br>0.13 |   |   |  |    |      |
| 193171116    | 250-300           | 117-152         | 63.0<br>2.48 | 36.0<br>1.42 | 19.5<br>0.77 | 17.0<br>0.67 | 27.0<br>1.06 | 81.0<br>3.19 | 3.2<br>0.13 |   |   |  |    |      |
| 193171018    | 250-300           | 117-152         | 63.0<br>2.48 | 36.0<br>1.42 | 19.5<br>0.77 | 19.0<br>0.75 | 27.0<br>1.06 | 81.0<br>3.19 | 3.2<br>0.13 |   |   |  |    |      |
| 193171020    | 250-300           | 117-152         | 63.0<br>2.48 | 36.0<br>1.42 | 19.5<br>0.77 | 21.0<br>0.83 | 27.0<br>1.06 | 81.0<br>3.19 | 3.2<br>0.13 |   |   |  |    |      |
| 193171022    | 250-300           | 117-152         | 63.0<br>2.48 | 36.0<br>1.42 | 19.5<br>0.77 | 23.0<br>0.91 | 27.0<br>1.06 | 81.0<br>3.19 | 3.2<br>0.13 |   |   |  |    |      |
| 193171024    | 250-300           | 117-152         | 63.0<br>2.48 | 36.0<br>1.42 | 19.5<br>0.77 | 25.0<br>0.98 | 27.0<br>1.06 | 81.0<br>3.19 | 3.2<br>0.13 |   |   |  |    |      |
| 193171027    | 250-300           | 117-152         | 63.0<br>2.48 | 36.0<br>1.42 | 19.5<br>0.77 | 28.0<br>1.10 | 27.0<br>1.06 | 81.0<br>3.19 | 3.2<br>0.13 |   |   |  |    |      |

|   |                                      |   |         |                                 |                    |  |                              |                        |  |  |  |
|---|--------------------------------------|---|---------|---------------------------------|--------------------|--|------------------------------|------------------------|--|--|--|
| <b>ENTER DESCRIPTION</b><br>EC NO: WNAZ009-0877<br>TIDRAWN:MODELL 2009/06/29<br>CHKD: 2009/06/30<br>APPR:RDEROSS 2009/07/01 | <b>QUALITY SYMBOLS</b><br>▽=0<br>▽=0 | <b>GENERAL TOLERANCES (UNLESS SPECIFIED)</b>  |         | <b>DIMENSION STYLE</b><br>MM/IN |                    | SCALE<br>1:2                                       | DESIGN UNITS<br>METRIC       | THIRD ANGLE PROJECTION |  |  |  |
|   |                                      | 4 PLACES ± --- ± ---<br>3 PLACES ± --- ± ---<br>2 PLACES ± --- ± ---<br>1 PLACE ± --- ± --- | mm INCH | DRAWN BY<br>MODELL              | DATE<br>2009/02/18 | TITLE<br>SL SERIES RING TYPE CONNECTORS 250-600MCM |                              |                        |  |  |  |
|   |                                      | ANGULAR ± ---°  |         | CHECKED BY<br>RDEROSS           | DATE<br>2009/02/18 | MOLEX MOLEX INCORPORATED                           |                              |                        |  |  |  |
|   |                                      | DRAFT WHERE APPLICABLE MUST REMAIN WITHIN DIMENSIONS  |         | APPROVED BY<br>RDEROSS          | DATE<br>2009/02/18 | MATERIAL NO.<br>SEE TABLE                          | DOCUMENT NO.<br>SD-19317-001 | SHEET NO.<br>1 OF 4    |  |  |  |

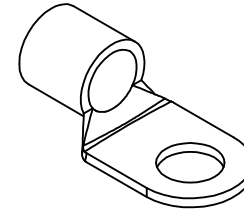
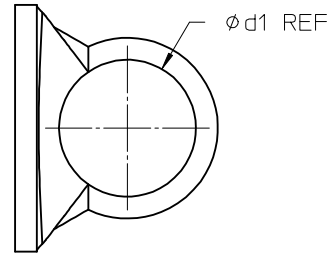
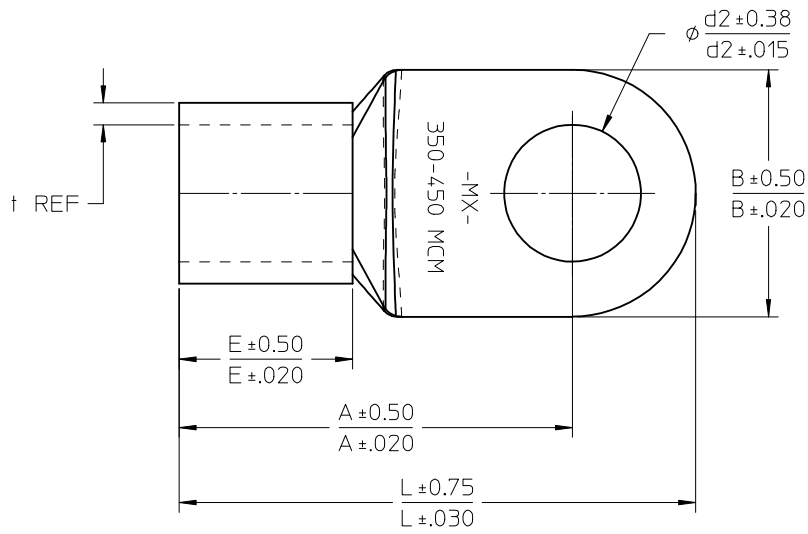


19317-4027 SHOWN

SEE NOTES ON SHEET 1

| MATERIAL NO. | WIRE RANGE |                 | A            | B            | d1 $\phi$    | d2 $\phi$    | E            | L            | mm          |      |
|--------------|------------|-----------------|--------------|--------------|--------------|--------------|--------------|--------------|-------------|------|
|              | MCM        | mm <sup>2</sup> |              |              |              |              |              |              | t           | inch |
| 193172008    | 300-350    | 152-193         | 53.0<br>2.09 | 38.5<br>1.52 | 21.0<br>0.83 | 8.4<br>0.33  | 28.5<br>1.12 | 69.0<br>2.72 | 3.5<br>0.14 |      |
| 193172010    | 300-350    | 152-193         | 53.0<br>2.09 | 38.5<br>1.52 | 21.0<br>0.83 | 10.5<br>0.41 | 28.5<br>1.12 | 69.0<br>2.72 | 3.5<br>0.14 |      |
| 193172012    | 300-350    | 152-193         | 53.0<br>2.09 | 38.5<br>1.52 | 21.0<br>0.83 | 13.0<br>0.51 | 28.5<br>1.12 | 69.0<br>2.72 | 3.5<br>0.14 |      |
| 193172014    | 300-350    | 152-193         | 53.0<br>2.09 | 38.5<br>1.52 | 21.0<br>0.83 | 15.0<br>0.59 | 28.5<br>1.12 | 69.0<br>2.72 | 3.5<br>0.14 |      |
| 193172016    | 300-350    | 152-193         | 53.0<br>2.09 | 38.5<br>1.52 | 21.0<br>0.83 | 17.0<br>0.67 | 28.5<br>1.12 | 69.0<br>2.72 | 3.5<br>0.14 |      |
| 193172112    | 300-350    | 152-193         | 53.0<br>2.09 | 38.5<br>1.52 | 21.0<br>0.83 | 13.0<br>0.51 | 28.5<br>1.12 | 69.0<br>2.72 | 3.5<br>0.14 |      |
| 193172116    | 300-350    | 152-193         | 53.0<br>2.09 | 38.5<br>1.52 | 21.0<br>0.83 | 17.0<br>0.67 | 28.5<br>1.12 | 69.0<br>2.72 | 3.5<br>0.14 |      |
| 193172018    | 300-350    | 152-193         | 67.5<br>2.66 | 38.5<br>1.52 | 21.0<br>0.83 | 19.0<br>0.75 | 28.5<br>1.12 | 86.8<br>3.42 | 3.5<br>0.14 |      |
| 193172020    | 300-350    | 152-193         | 67.5<br>2.66 | 38.5<br>1.52 | 21.0<br>0.83 | 21.0<br>0.83 | 28.5<br>1.12 | 86.8<br>3.42 | 3.5<br>0.14 |      |
| 193172022    | 300-350    | 152-193         | 67.5<br>2.66 | 38.5<br>1.52 | 21.0<br>0.83 | 23.0<br>0.91 | 28.5<br>1.12 | 86.8<br>3.42 | 3.5<br>0.14 |      |
| 193172024    | 300-350    | 152-193         | 67.5<br>2.66 | 38.5<br>1.52 | 21.0<br>0.83 | 25.0<br>0.98 | 28.5<br>1.12 | 86.8<br>3.42 | 3.5<br>0.14 |      |
| 193172027    | 300-350    | 152-193         | 67.5<br>2.66 | 38.5<br>1.52 | 21.0<br>0.83 | 28.0<br>1.10 | 28.5<br>1.12 | 86.8<br>3.42 | 3.5<br>0.14 |      |

| <b>ENTER DESCRIPTION</b><br>EC NO: WNA2009-0877<br>TIDRWN:MODELL 2009/06/29<br>CHKD: 2009/06/30<br>APPR:RDEROSS 2009/07/01<br>REV DESCRIPTION | <b>QUALITY SYMBOLS</b><br>▽=0<br>▽7=0 | <b>GENERAL TOLERANCES (UNLESS SPECIFIED)</b><br><table border="1"> <tr> <th></th> <th>mm</th> <th>INCH</th> </tr> <tr> <td>4 PLACES</td> <td>± ---</td> <td>± ---</td> </tr> <tr> <td>3 PLACES</td> <td>± ---</td> <td>± ---</td> </tr> <tr> <td>2 PLACES</td> <td>± ---</td> <td>± ---</td> </tr> <tr> <td>1 PLACE</td> <td>± ---</td> <td>± ---</td> </tr> <tr> <td colspan="3">ANGULAR ± ---°</td> </tr> </table> |   | mm               | INCH                     | 4 PLACES | ± --- | ± --- | 3 PLACES | ± --- | ± --- | 2 PLACES | ± --- | ± --- | 1 PLACE | ± --- | ± --- | ANGULAR ± ---° |  |  | <b>DIMENSION STYLE</b><br>MM/IN | <b>SCALE</b><br>1:2 | <b>DESIGN UNITS</b><br>METRIC | THIRD ANGLE PROJECTION |
|---|---------------------------------------|--|---|------------------|--------------------------|----------|-------|-------|----------|-------|-------|----------|-------|-------|---------|-------|-------|----------------|--|--|---------------------------------|---------------------|-------------------------------|------------------------|
|   |                                       | mm   | INCH  |                  |                          |          |       |       |          |       |       |          |       |       |         |       |       |                |  |  |                                 |                     |                               |                        |
|   | 4 PLACES                              | ± ---  | ± ---   |                  |                          |          |       |       |          |       |       |          |       |       |         |       |       |                |  |  |                                 |                     |                               |                        |
|   | 3 PLACES                              | ± ---  | ± ---   |                  |                          |          |       |       |          |       |       |          |       |       |         |       |       |                |  |  |                                 |                     |                               |                        |
|   | 2 PLACES                              | ± ---  | ± ---   |                  |                          |          |       |       |          |       |       |          |       |       |         |       |       |                |  |  |                                 |                     |                               |                        |
| 1 PLACE   | ± ---                                 | ± ---  |   |                  |                          |          |       |       |          |       |       |          |       |       |         |       |       |                |  |  |                                 |                     |                               |                        |
| ANGULAR ± ---°  |                                       |  |   |                  |                          |          |       |       |          |       |       |          |       |       |         |       |       |                |  |  |                                 |                     |                               |                        |
| DRAFT WHERE APPLICABLE MUST REMAIN WITHIN DIMENSIONS  |                                       | DRAWN BY: MODELL DATE: 2009/02/18<br>CHECKED BY: RDEROSS DATE: 2009/02/18<br>APPROVED BY: RDEROSS DATE: 2009/02/18   | <b>TITLE</b><br>SL SERIES RING TYPE CONNECTORS 250-600MCM |                  | Molex MOLEX INCORPORATED |          |       |       |          |       |       |          |       |       |         |       |       |                |  |  |                                 |                     |                               |                        |
|   |                                       | MATERIAL NO. SEE TABLE   | DOCUMENT NO. SD-19317-001                                 | SHEET NO. 2 OF 4 |                          |          |       |       |          |       |       |          |       |       |         |       |       |                |  |  |                                 |                     |                               |                        |
|   |                                       | THIS DRAWING CONTAINS INFORMATION THAT IS PROPRIETARY TO MOLEX INCORPORATED AND SHOULD NOT BE USED WITHOUT WRITTEN PERMISSION  |   |                  |                          |          |       |       |          |       |       |          |       |       |         |       |       |                |  |  |                                 |                     |                               |                        |

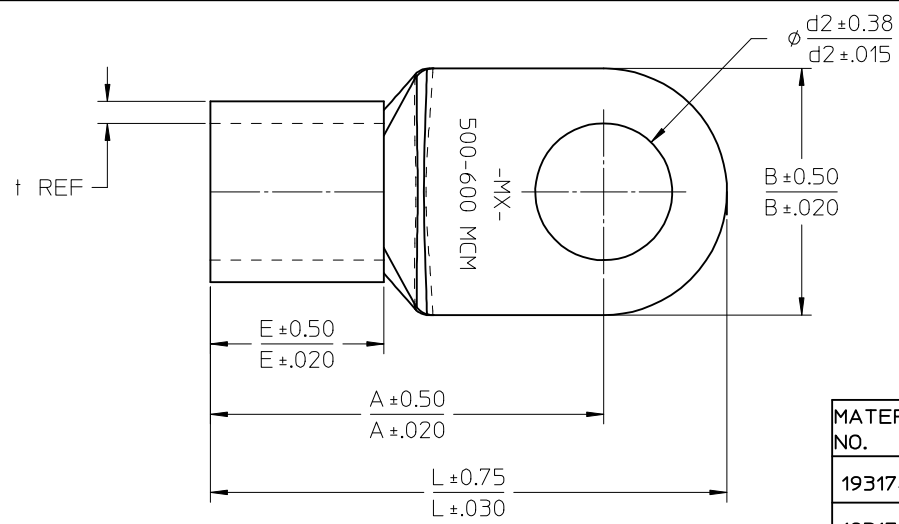


19317-4027 SHOWN

SEE NOTES ON SHEET 1

| MATERIAL NO. | WIRE RANGE |         | A            | B            | d1φ          | d2φ          | E            | L            | mm          |      |
|--------------|------------|---------|--------------|--------------|--------------|--------------|--------------|--------------|-------------|------|
|              | MCM        | mm      |              |              |              |              |              |              | t           | inch |
| 193173008    | 350-450    | 193-242 | 56.0<br>2.20 | 44.0<br>1.73 | 24.0<br>0.94 | 8.4<br>0.33  | 31.5<br>1.24 | 72.0<br>2.83 | 4.0<br>0.16 |      |
| 193173010    | 350-450    | 193-242 | 56.0<br>2.20 | 44.0<br>1.73 | 24.0<br>0.94 | 10.5<br>0.41 | 31.5<br>1.24 | 72.0<br>2.83 | 4.0<br>0.16 |      |
| 193173012    | 350-450    | 193-242 | 56.0<br>2.20 | 44.0<br>1.73 | 24.0<br>0.94 | 13.0<br>0.51 | 31.5<br>1.24 | 72.0<br>2.83 | 4.0<br>0.16 |      |
| 193173014    | 350-450    | 193-242 | 56.0<br>2.20 | 44.0<br>1.73 | 24.0<br>0.94 | 15.0<br>0.59 | 31.5<br>1.24 | 72.0<br>2.83 | 4.0<br>0.16 |      |
| 193173016    | 350-450    | 193-242 | 56.0<br>2.20 | 44.0<br>1.73 | 24.0<br>0.94 | 17.0<br>0.67 | 31.5<br>1.24 | 72.0<br>2.83 | 4.0<br>0.16 |      |
| 193173112    | 350-450    | 193-242 | 56.0<br>2.20 | 44.0<br>1.73 | 24.0<br>0.94 | 13.0<br>0.51 | 31.5<br>1.24 | 72.0<br>2.83 | 4.0<br>0.16 |      |
| 193173116    | 350-450    | 193-242 | 56.0<br>2.20 | 44.0<br>1.73 | 24.0<br>0.94 | 17.0<br>0.67 | 31.5<br>1.24 | 72.0<br>2.83 | 4.0<br>0.16 |      |
| 193173018    | 350-450    | 193-242 | 69.0<br>2.72 | 44.0<br>1.73 | 24.0<br>0.94 | 19.0<br>0.75 | 31.5<br>1.24 | 91.0<br>3.58 | 4.0<br>0.16 |      |
| 193173020    | 350-450    | 193-242 | 69.0<br>2.72 | 44.0<br>1.73 | 24.0<br>0.94 | 21.0<br>0.83 | 31.5<br>1.24 | 91.0<br>3.58 | 4.0<br>0.16 |      |
| 193173022    | 350-450    | 193-242 | 69.0<br>2.72 | 44.0<br>1.73 | 24.0<br>0.94 | 23.0<br>0.91 | 31.5<br>1.24 | 91.0<br>3.58 | 4.0<br>0.16 |      |
| 193173024    | 350-450    | 193-242 | 69.0<br>2.72 | 44.0<br>1.73 | 24.0<br>0.94 | 25.0<br>0.98 | 31.5<br>1.24 | 91.0<br>3.58 | 4.0<br>0.16 |      |
| 193173027    | 350-450    | 193-242 | 69.0<br>2.72 | 44.0<br>1.73 | 24.0<br>0.94 | 28.0<br>1.10 | 31.5<br>1.24 | 91.0<br>3.58 | 4.0<br>0.16 |      |

|   |  |   |   |   |  |  |
|---|--|---|---|---|--|--|
| <b>ENTER DESCRIPTION</b><br>EC NO: WNA2009-0877<br>TIDRWA:MODELL 2009/06/29<br>CHKD: 2009/06/30<br>APPR:RDEROSS 2009/07/01<br>REV DESCRIPTION | QUALITY SYMBOLS<br>▽=0<br>▽7=0                       | GENERAL TOLERANCES (UNLESS SPECIFIED)<br>mm INCH<br>4 PLACES ± --- ± ---<br>3 PLACES ± --- ± ---<br>2 PLACES ± --- ± ---<br>1 PLACE ± --- ± ---<br>ANGULAR ± ---° | DIMENSION STYLE<br>MM/IN<br>DRAWN BY DATE<br>MODELL 2009/02/18<br>CHECKED BY DATE<br>RDEROSS 2009/02/18<br>APPROVED BY DATE<br>RDEROSS 2009/02/18 | SCALE<br>1:2<br>TITLE<br>SL SERIES<br>RING TYPE CONNECTORS<br>250-600MCM  | DESIGN UNITS<br>METRIC<br>THIRD ANGLE PROJECTION |  |
|   | DRAFT WHERE APPLICABLE MUST REMAIN WITHIN DIMENSIONS |   | MATERIAL NO.<br>SEE TABLE   | DOCUMENT NO.<br>SD-19317-001  | SHEET NO.<br>3 OF 4                              |  |
|   | MOLEX INCORPORATED                                   |   |   | THIS DRAWING CONTAINS INFORMATION THAT IS PROPRIETARY TO MOLEX INCORPORATED AND SHOULD NOT BE USED WITHOUT WRITTEN PERMISSION |  |  |
|   |  |   |   |   |  |  |



19317-4027 SHOWN

SEE NOTES ON SHEET 1

| MATERIAL NO. | WIRE MCM | RANGE mm <sup>2</sup> | A    |      | B    |      | d1   |      | d2   |      | E    |      | L     |      | t   |      |
|--------------|----------|-----------------------|------|------|------|------|------|------|------|------|------|------|-------|------|-----|------|
|              |          |                       | mm   | inch | mm   | inch | mm   | inch | mm   | inch | mm   | inch | mm    | inch | mm  | inch |
| 193174008    | 500-600  | 245-325               | 69.0 | 2.72 | 50.5 | 1.99 | 28.0 | 1.10 | 8.4  | 0.33 | 35.5 | 1.40 | 88.0  | 3.46 | 4.5 | 0.18 |
| 193174010    | 500-600  | 245-325               | 69.0 | 2.72 | 50.5 | 1.99 | 28.0 | 1.10 | 10.5 | 0.41 | 35.5 | 1.40 | 88.0  | 3.46 | 4.5 | 0.18 |
| 193174012    | 500-600  | 245-325               | 69.0 | 2.72 | 50.5 | 1.99 | 28.0 | 1.10 | 13.0 | 0.51 | 35.5 | 1.40 | 88.0  | 3.46 | 4.5 | 0.18 |
| 193174014    | 500-600  | 245-325               | 69.0 | 2.72 | 50.5 | 1.99 | 28.0 | 1.10 | 15.0 | 0.59 | 35.5 | 1.40 | 88.0  | 3.46 | 4.5 | 0.18 |
| 193174016    | 500-600  | 245-325               | 69.0 | 2.72 | 50.5 | 1.99 | 28.0 | 1.10 | 17.0 | 0.67 | 35.5 | 1.40 | 88.0  | 3.46 | 4.5 | 0.18 |
| 193174112    | 500-600  | 245-325               | 80.5 | 3.17 | 50.5 | 1.99 | 28.0 | 1.10 | 13.0 | 0.51 | 35.5 | 1.40 | 105.7 | 4.16 | 4.5 | 0.18 |
| 193174116    | 500-600  | 245-325               | 80.5 | 3.17 | 50.5 | 1.99 | 28.0 | 1.10 | 17.0 | 0.67 | 35.5 | 1.40 | 105.7 | 4.16 | 4.5 | 0.18 |
| 193174018    | 500-600  | 245-325               | 80.5 | 3.17 | 50.5 | 1.99 | 28.0 | 1.10 | 19.0 | 0.75 | 35.5 | 1.40 | 105.7 | 4.16 | 4.5 | 0.18 |
| 193174020    | 500-600  | 245-325               | 80.5 | 3.17 | 50.5 | 1.99 | 28.0 | 1.10 | 21.0 | 0.83 | 35.5 | 1.40 | 105.7 | 4.16 | 4.5 | 0.18 |
| 193174022    | 500-600  | 245-325               | 80.5 | 3.17 | 50.5 | 1.99 | 28.0 | 1.10 | 23.0 | 0.91 | 35.5 | 1.40 | 105.7 | 4.16 | 4.5 | 0.18 |
| 193174024    | 500-600  | 245-325               | 80.5 | 3.17 | 50.5 | 1.99 | 28.0 | 1.10 | 25.0 | 0.98 | 35.5 | 1.40 | 105.7 | 4.16 | 4.5 | 0.18 |
| 193174027    | 500-600  | 245-325               | 80.5 | 3.17 | 50.5 | 1.99 | 28.0 | 1.10 | 28.0 | 1.10 | 35.5 | 1.40 | 105.7 | 4.16 | 4.5 | 0.18 |

|   |   |   |   |  |  |
|---|---|---|---|--|--|
| <b>ENTER DESCRIPTION</b><br>EC NO: WNA2009-0877<br>TIDRWA:MODELL 2009/06/29<br>CHKD: 2009/06/30<br>APPR:RDEROSS 2009/07/01<br>REV DESCRIPTION | QUALITY SYMBOLS<br>▽=0<br>▽7=0  | GENERAL TOLERANCES (UNLESS SPECIFIED)<br>mm INCH<br>4 PLACES ± --- ± ---<br>3 PLACES ± --- ± ---<br>2 PLACES ± --- ± ---<br>1 PLACE ± --- ± ---<br>ANGULAR ± ---° | DIMENSION STYLE<br>MM/IN<br>DRAWN BY DATE<br>MODELL 2009/02/18<br>CHECKED BY DATE<br>RDEROSS 2009/02/18<br>APPROVED BY DATE<br>RDEROSS 2009/02/18 | SCALE<br>1:2<br>DESIGN UNITS<br>METRIC<br>THIRD ANGLE PROJECTION | TITLE<br>SL SERIES<br>RING TYPE CONNECTORS<br>250-600MCM |
|   | DRAFT WHERE APPLICABLE MUST REMAIN WITHIN DIMENSIONS  |   | MATERIAL NO. SEE TABLE  | DOCUMENT NO. SD-19317-001  | SHEET NO. 4 OF 4   |
|   | THIS DRAWING CONTAINS INFORMATION THAT IS PROPRIETARY TO MOLEX INCORPORATED AND SHOULD NOT BE USED WITHOUT WRITTEN PERMISSION |   |   |  |  |
|   | MOLEX MOLEX INCORPORATED  |   |   |  |  |