

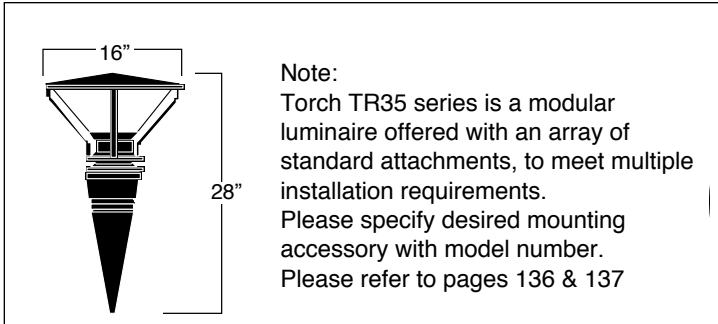
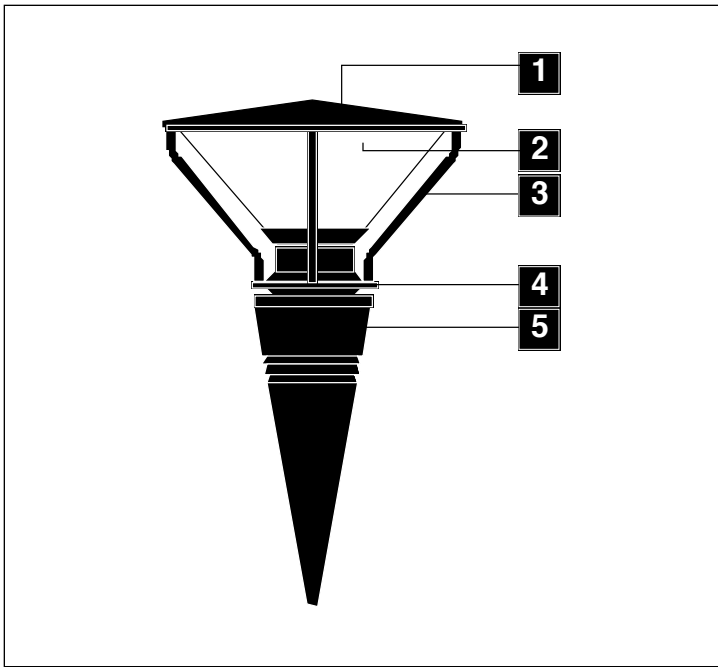
### Specification

All exposed cast aluminum components are made of non corrosive pure aluminum copper free (Aluminum is less than .1% copper content.#356 alloy.)

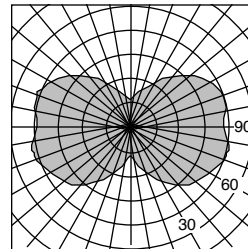
Finish: All polyester powder baked coatings preceded with a 5 baths preparation process. Meets military grade MIL-C781706 with a 2000 hours salt spray test.

- Pulse rated porcelain socket or 75W/600V thermoplastic compact fluorescent socket.
- One-piece molded silicone gasket with memory retention.
- High power factor CWA ballast. Or 98% P.F.electronic smart ballast with end of life detection for compact fluorescent.
- All stainless steel hardware.
- All Moving and removable parts are sealed with a memory retention silicone gasket.

- 1 - Aluminum removable top cover.
- 2 - High impact white translucent acrylic diffuser.
- 3 - Set of four 1/2" solid aluminum rod supports.
- 4 - Cast aluminum spacer ring.
- 5 - One piece cast aluminum cone housing .



### Photometry



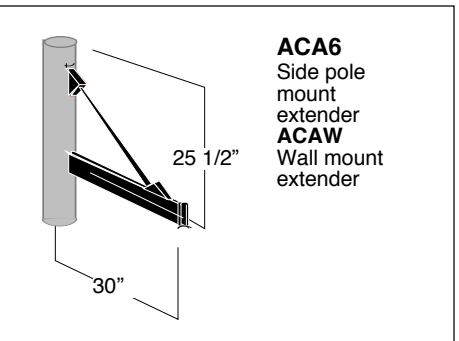
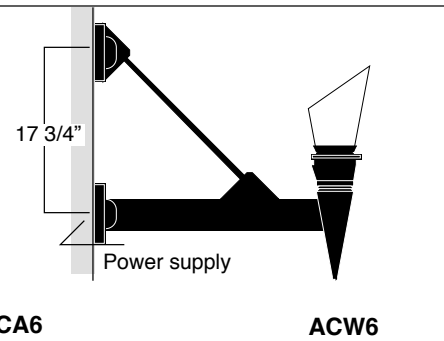
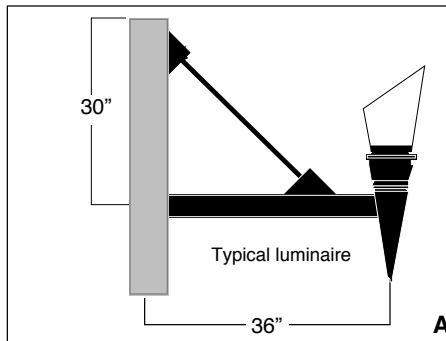
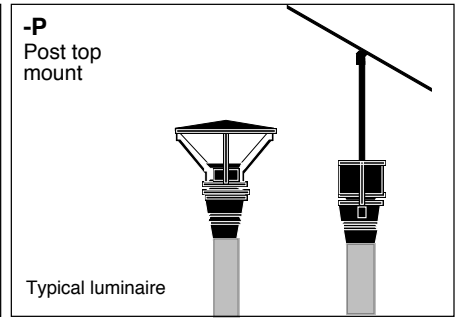
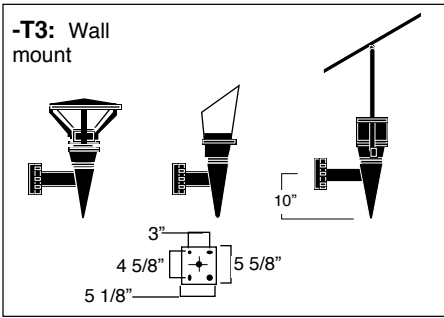
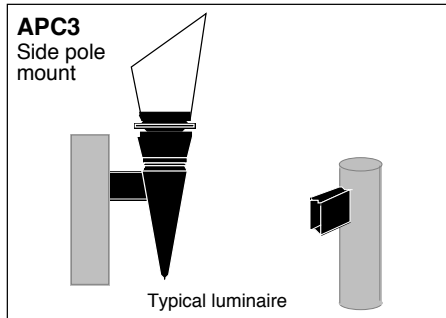
Separate updated technical specification sheets with related models and light sources with I.E.S formatted photometry are available on [www.luminis.com](http://www.luminis.com).

Certification	Weight & EPA
UL. Wet Location.	E.P.A: 0.66 Max. weight: 22 lbs..

For options details and specifications, please refer to pages **103.136 & 137**

Model#	Mounting	Light source selection	Voltage	Finish	Options	
<input type="checkbox"/> TR35	<input type="checkbox"/> ACA6 <input type="checkbox"/> ACW6 <input type="checkbox"/> APC3 <input type="checkbox"/> P <input type="checkbox"/> T3	<div style="display: flex; justify-content: space-between;"> <div> <input type="checkbox"/> MH (ED17)  <input type="checkbox"/> M50  <input type="checkbox"/> M70  <input type="checkbox"/> M100                             </div> <div> <input type="checkbox"/> CF (Gx24q)  <b>Single lamp</b>  <input type="checkbox"/> F142  <input type="checkbox"/> F157  <input type="checkbox"/> F170                             </div> </div> <div style="display: flex; justify-content: space-between; margin-top: 10px;"> <div> <input type="checkbox"/> CF (Gx24q)  <b>Two lamp</b>  <input type="checkbox"/> F218  <input type="checkbox"/> F226  <input type="checkbox"/> F232  <input type="checkbox"/> F242                             </div> <div> <input type="checkbox"/> (Lamps by others)                             </div> </div>	<p><b>120 V</b> Standard factory prewired (If no voltage is specified) For other voltages, please specify with catalog number.</p> <p><b>H.I.D.</b></p> <input type="checkbox"/> 208 V <input type="checkbox"/> 240 V <input type="checkbox"/> 277 V <input type="checkbox"/> 347 V	<p>(Refer to color chart)</p> <p><u>Standard selection</u></p> <input type="checkbox"/> WHT: Snow white <input type="checkbox"/> BKT: Jet black <input type="checkbox"/> BZT: Bronze <input type="checkbox"/> GRT: Titanium gray <input type="checkbox"/> DGT: Gun metal <input type="checkbox"/> CHT: Champagne <input type="checkbox"/> MST: Matte silver <input type="checkbox"/> GNT: Forest green	<p><u>Optional colors</u></p> <input type="checkbox"/> CS: Custom color <input type="checkbox"/> RAL: RAL# color	<p><b>Electrical</b></p> <input type="checkbox"/> FS: Fuse <input type="checkbox"/> PH1: 120/277V photo cell. <input type="checkbox"/> PH2: 347V photo cell. <input type="checkbox"/> QS: Standby lamp socket. <input type="checkbox"/> QRS: H.I.D. lamp restrike

Luminaires may be altered for improvements or discontinued without prior notice.



**ACA6** -EPA: 0.8  
1" X 3" extruded aluminum side pole arm mount. 4" O.D X 30" lg. post top adaptor with a cast aluminum tenon to fit with a 3 3/4" I.D. pole. 1/2" dia. stainless steel rod support. Extruded arm and all other parts are painted same color as Luminaire.

**ACW6**- Wall mount version with independent cast aluminum mounting plates.

**APC3** -EPA: 0.12  
1" X 3" extruded aluminum side pole mounting adaptor. Fits with 4" O.D. pole.

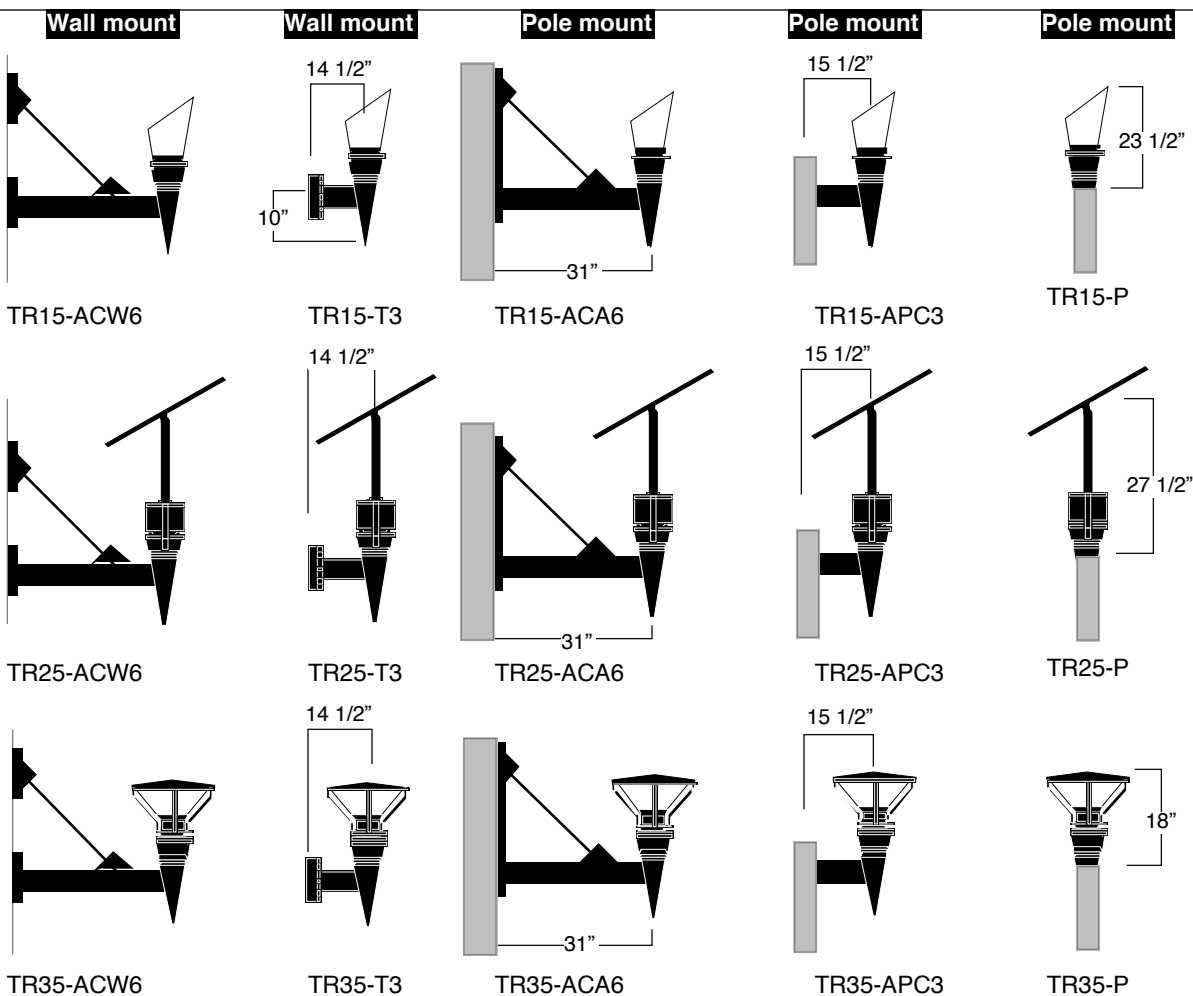
**-P**  
Post top mounting adaptor fits with 4" o.d.x 3 3/4" I.D.pole.

**-T3**  
1" x 3" extruded aluminum wall mounting straight adaptor with cast aluminum cover and galvanized steel mounting plate.

Luminaires may be altered for improvements or discontinued without prior notice.

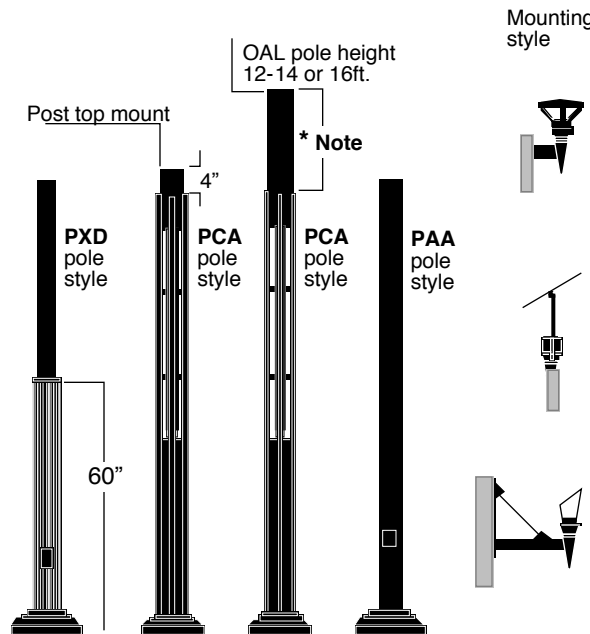
**LUMINIS** [ USA ] - 3555 NW 53rd Court, Fort Lauderdale, FL.33309 Tel: 954 .717 .4155 Fax: 954 . 717.4157  
**LUMINIS** [ Canada ] - 87 C Brunswick D.D.O. Q.C. Canada H9B 2J5 Toll free: 888 .401 .6999

Web: www.luminis.com  
Sept. 2006 Rev. June.2007



\* Note:  
36" extension with ACA6 attachment  
24" extension with APC3 attachment

### Compatible poles listing.



Post side mount with APC3 attachment accessory				Pole height
4" O.D.	5" O.D.	4" O.D.	4" O.D.	
PAA410-APC	PAA510-APC		PXD10-APC	10 ft
PAA412-APC	PAA512-APC	PCA12-APC	PXD12-APC	12 ft
PAA414-APC	PAA514-APC	PCA14-APC	PXD14-APC	14 ft
PAA416-APC	PAA516-APC	PCA16-APC	PXD16-APC	16 ft
PAA418-APC	PAA518-APC		PXD18-APC	18 ft
PAA420-APC	PAA520-APC		PXD20-APC	20 ft
Post top mounting				
PAA410-A				10 ft
PAA412-A		PCA12-A	PXD12-A	12 ft
PAA414-A		PCA14-A	PXD14-A	14 ft
PAA416-A		PCA16-A	PXD16-A	16 ft
PAA418-A		PCA18-A	PXD18-A	18 ft
PAA420-A			PXD20-A	20 ft
Post side mount with ACA6 attachment accessory				
PAA414-ACA	PAA514-ACA	PCA14-ACA	PXD14-ACA	14 ft
PAA416-ACA	PAA516-ACA	PCA16-ACA	PXD16-ACA	16 ft
PAA418-ACA	PAA518-ACA		PXD18-ACA	18 ft
PAA420-ACA	PAA520-ACA		PXD20-ACA	20 ft

For poles details and specification, please refer to pages 140 to 144

Luminaires may be altered for design improvements or discontinued without prior notice.