

**PLEASE CHECK WWW.MOLEX.COM FOR LATEST PART INFORMATION**

**Part Number:** [0916160011](#)  
**Status:** **Active**  
**Overview:** [junction box io connectors](#)  
**Description:** 2.54mm (.100") Pitch Junction Box MOST, Vertical, 40 Circuits, with 10A Fuse

**Documents:**

[3D Model](#) [Product Specification PS-91616-001 \(PDF\)](#)  
[Drawing \(PDF\)](#) [RoHS Certificate of Compliance \(PDF\)](#)

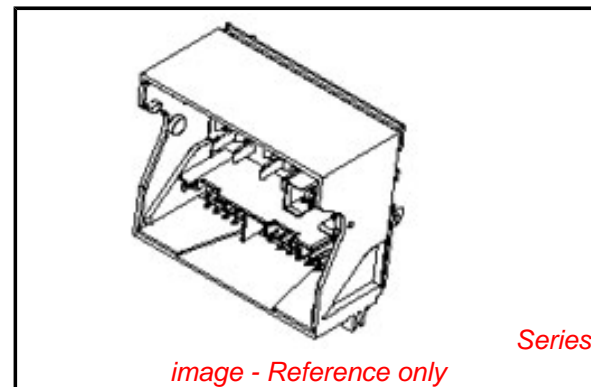
**General**

Product Family	PCB Headers
Series	<a href="#">91616</a>
Application	Wire-to-Board
Comments	10A Fuse Included
Overview	<a href="#">junction box io connectors</a>
Product Name	Junction Box, MOST

**Physical**

Breakaway	No
Circuits (Loaded)	40
Circuits (maximum)	40
Circuits Detail	Spade 16 Square 24
Color - Resin	Black
Durability (mating cycles max)	30
First Mate / Last Break	No
Glow-Wire Compliant	No
Guide to Mating Part	No
Keying to Mating Part	None
Lock to Mating Part	Yes
Material - Metal	Brass, Phosphor Bronze
Material - Plating Mating	Tin
Material - Plating Termination	Tin
Material - Resin	Nylon
Number of Rows	6
Orientation	Vertical
PC Tail Length (in)	0.112 In
PC Tail Length (mm)	2.85 mm
PCB Locator	Yes
PCB Retention	Yes
PCB Thickness Recommended (in)	0.062 In
PCB Thickness Recommended (mm)	1.60 mm
Packaging Type	Tray
Pitch - Mating Interface (in)	0.100 In
Pitch - Mating Interface (mm)	2.54 mm
Plating min: Mating (µin)	120, 40
Plating min: Mating (µm)	1, 3
Plating min: Termination (µin)	120
Plating min: Termination (µm)	3
Polarized to PCB	Yes
Shrouded	Fully
Stackable	No
Surface Mount Compatible (SMC)	No
Temperature Range - Operating	-40°C to +85°C
Termination Interface: Style	Through Hole

**Electrical**



**EU RoHS**

**ELV and RoHS Compliant**  
**REACH SVHC**  
 Not Reviewed  
**Halogen-Free Status**  
 Not Reviewed

**China RoHS**



**Need more information on product environmental compliance?**

Email [productcompliance@molex.com](mailto:productcompliance@molex.com)  
 For a multiple part number RoHS Certificate of Compliance, [click here](#)

Please visit the [Contact Us](#) section for any non-product compliance questions.

**Search Parts in this Series**  
[91616Series](#)

Current - Maximum per Contact  
Voltage - Maximum

6A  
16V

**Solder Process Data**

Lead-free Process Capability

Wave Capable (TH only)

**Material Info**

**Reference - Drawing Numbers**

Packaging Specification

PK-91616-001

Product Specification

PS-91616-001

Sales Drawing

SD-91616-001

This document was generated on 05/26/2010

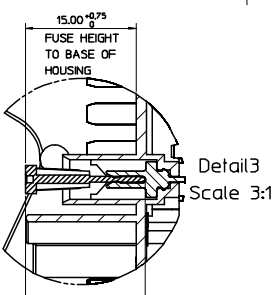
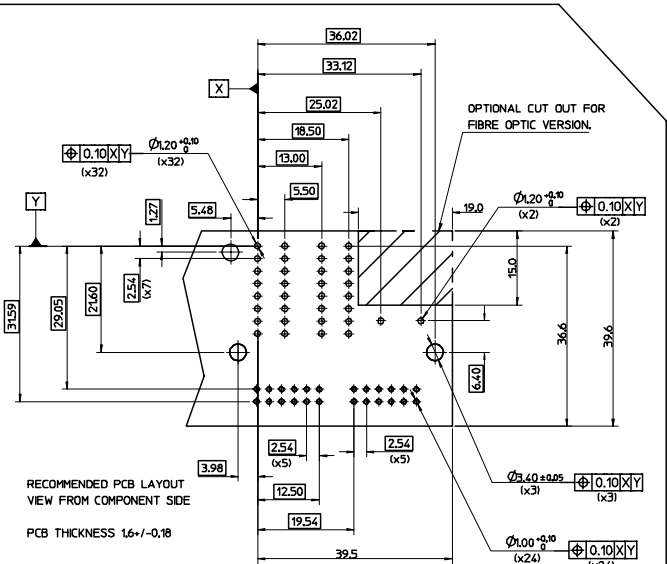
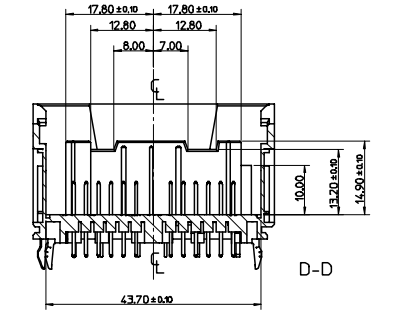
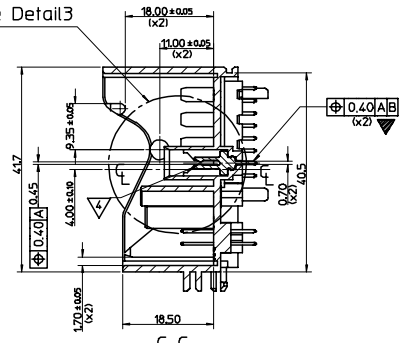
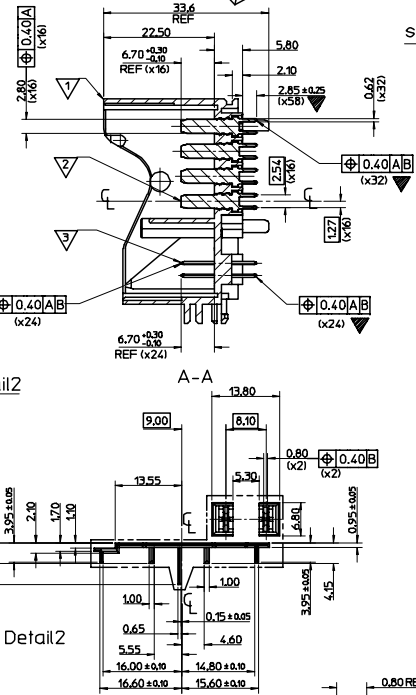
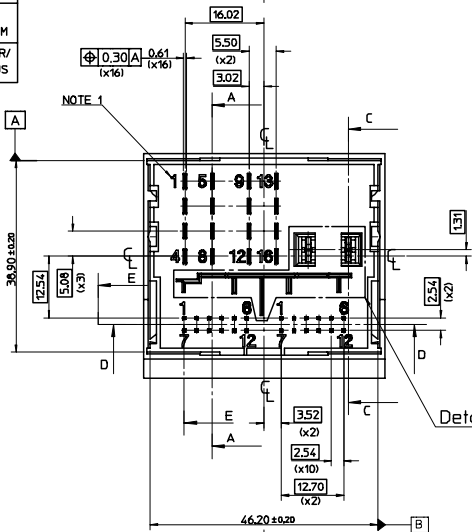
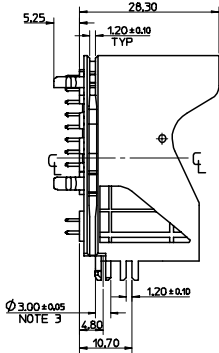
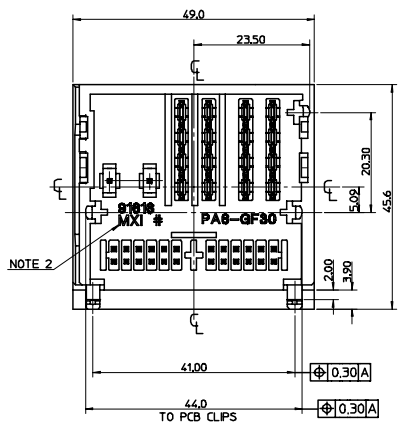
**PLEASE CHECK [WWW.MOLEX.COM](http://WWW.MOLEX.COM) FOR LATEST PART INFORMATION**

REF NO	DESCRIPTION	QTY	MADE FROM	REMARKS
▽	HOUSING	1	PA6-30%GF	COLOUR = BLACK
▽	SPADE TERMINAL	16	0.61 REF THICK BRASS	1-3um Sn on first 5mm of Contact End 3-5um Sn on Remainder
▽	SQUARE TERMINAL	24	0.61 REF SQUARE BRASS	Undercoat of 127-220um Ni Overall
▽	FUSE TERMINAL	2	0.80 REF THICK PHOSPHOR BRONZE	3-5um Sn BRIGHT OVER Undercoat of 127-220um Ni Overall
▽	FUSE (10A)	1	Cu58F DIN 1787 OR EQUIVALENT	PLATED 4um Sn

- NOTES:  
 0) INTERNAL NUMBERING RECESSED BELOW THE SURFACE.  
 2) EXTERNAL HOLES AND CUSTOMER IDENTIFICATION 0.2 PROUD OF SURFACE.  
 3) CLIP TO SUIT 3.35 +/-0.05 DIA HOLE.  
 4) PART TRACABILITY MARKING IN THIS AREA. FORMAT IS:  
 5) FOR THE PRODUCT SPECIFICATION REFER TO DOC: PS-91616-001.  
 6) FOR THE PACKAGING SPECIFICATION REFER TO APPLICABLE DOC: PK-91616-001.  
 7) PIN BARB ORIENTATION AS SHOWN.

HOUR	DAY 1-7 (1-MONDAY)	WEEK	YEAR
**	*	**	*

PART NUMBER	DESCRIPTION
91616-0001	JBOX MOST STR W/ 16 PWR/24 SGN/2FUS TRM
91616-0011	JBOX MOST STR W/16PWR/ 24SGN/2FUS TRM/10A FUS



REV	DESCRIPTION	QUALITY SYMBOLS	GENERAL TOLERANCES (UNLESS SPECIFIED)		SCALE	DESIGN UNITS	THIRD ANGLE PROJECTION	REVISE ON CAD ONLY
			mm	INCH				
▽ 4			4 PLACES ± ---	± ---	2:1	METRIC		
▽ 3			3 PLACES ± ---	± ---		MM ONLY		
▽ 2			2 PLACES ± 0.15	± ---				
▽ 1			1 PLACE ± 0.25	± ---				
			ANGULAR ± 2°					
DRAFT WHERE APPLICABLE MUST REMAIN WITHIN DIMENSIONS								
Updated Plating Spec. EC NO: E2006-0252 DRAWN: SMC/HAH/2007/04/03 CHKD: 2007/04/11 APPR: BMAGUIRE/2007/04/26					DRAWN BY DATE TOM M 16.05.2002		DRAWN BY DATE TOM M 16.05.2002	
					CHECKED BY DATE BMAGUIRE 22.05.2002		MATERIAL NO. DOCUMENT NO. SEE TABLE SD-91616-001	
					APPROVED BY DATE MWILHITE 03-10-2002		MATERIAL NO. DOCUMENT NO. SEE TABLE SD-91616-001	
					THIS DRAWING CONTAINS INFORMATION THAT IS PROPRIETARY TO MOLEX INCORPORATED AND SHOULD NOT BE USED WITHOUT WRITTEN PERMISSION		SHEET NO. 1 OF 1	