

PLEASE CHECK WWW.MOLEX.COM FOR LATEST PART INFORMATION

Part Number: [5017863091](#)
Status: **Active**
Overview: [ffc_fpc_smt](#)
Description: 0.50mm (.020") Pitch FFC-to-Board Connector, Receptacle Housing Assy, Vertical, SMT, with Grounding terminals, 30 Circuits

Documents:

[3D Model](#) [Product Specification PS-501786-004 \(PDF\)](#)
[Drawing \(PDF\)](#) [RoHS Certificate of Compliance \(PDF\)](#)

General

Product Family FFC/FPC Connectors
 Series [501786](#)
 Comments with Grounding terminals
 Overview [ffc_fpc_smt](#)
 Product Name N/A

Physical

Circuits (Loaded) 30
 Color - Resin Black
 Contact Position N/A
 Durability (mating cycles max) 20
 Entry Angle Vertical
 Mated Height (in) 0.352 In
 Mated Height (mm) 8.95 mm
 Material - Metal Copper Alloy
 Material - Plating Mating Gold
 Material - Plating Termination Gold
 Number of Rows 1
 Orientation Vertical
 PCB Locator Yes
 PCB Retention Yes
 Packaging Type Embossed Tape on Reel
 Pitch - Mating Interface (in) 0.020 In
 Pitch - Mating Interface (mm) 0.50 mm
 Polarized to PCB Yes
 Stackable No
 Temperature Range - Operating -40°C to +85°C
 Termination Interface: Style Surface Mount
 Wire/Cable Type FFC only

Electrical

Current - Maximum per Contact 0.5A
 Voltage - Maximum 50V AC (RMS)/DC

Material Info

Reference - Drawing Numbers

Packaging Specification SPK-501786-001
 Product Specification PS-501786-004, RPS-501786-001
 Sales Drawing SD-501786-008, SD-501786-009

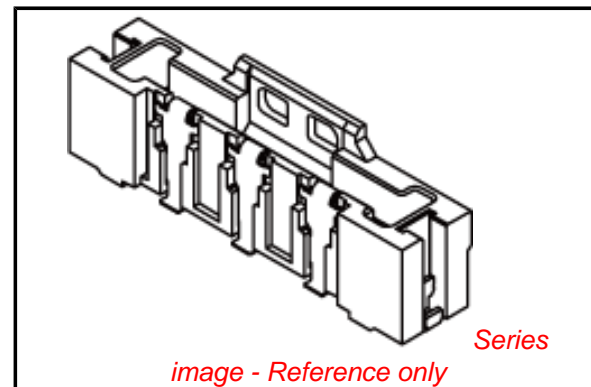


image - Reference only

EU RoHS

**ELV and RoHS
 Compliant**
REACH SVHC
 Not Reviewed
**Halogen-Free
 Status**
Not Reviewed

China RoHS



**Need more information on product
 environmental compliance?**

Email productcompliance@molex.com
 For a multiple part number RoHS Certificate of
 Compliance, [click here](#)

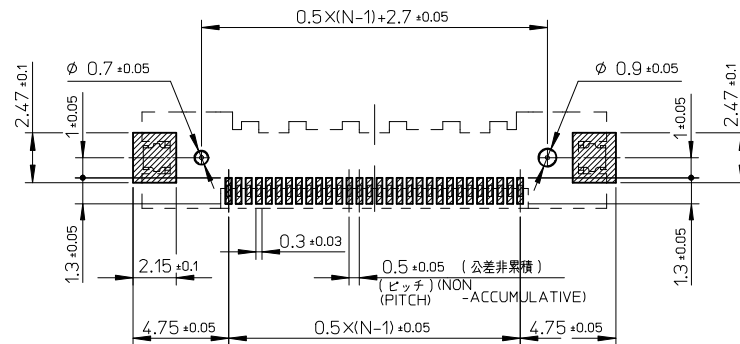
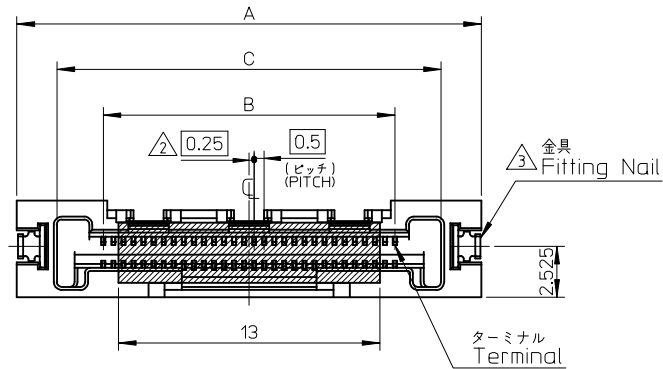
Please visit the [Contact Us](#) section for any
 non-product compliance questions.

Search Parts in this Series

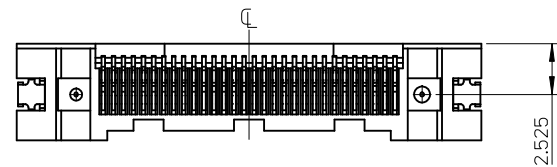
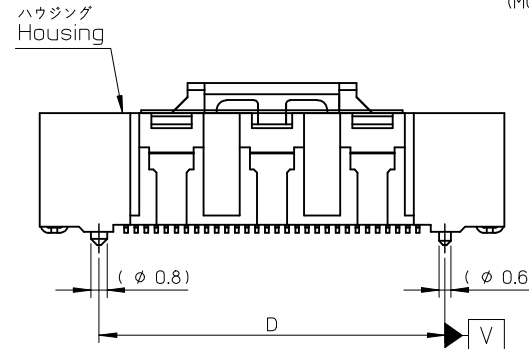
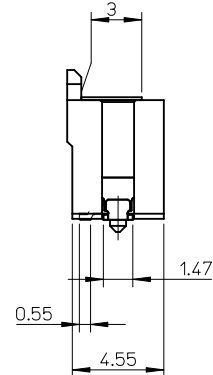
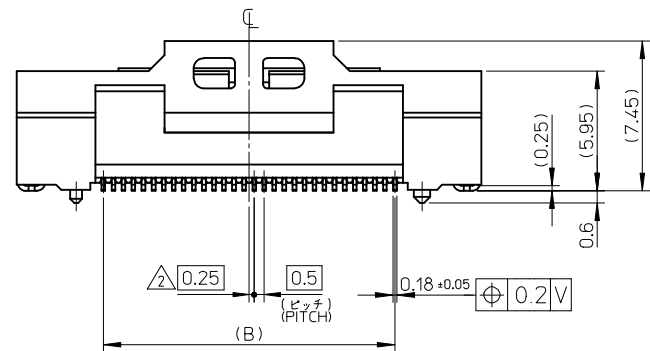
[501786Series](#)

Use With

[501783-3009 Plug Jacket](#) . [501784-3008
 Plug Jacket Cover](#)



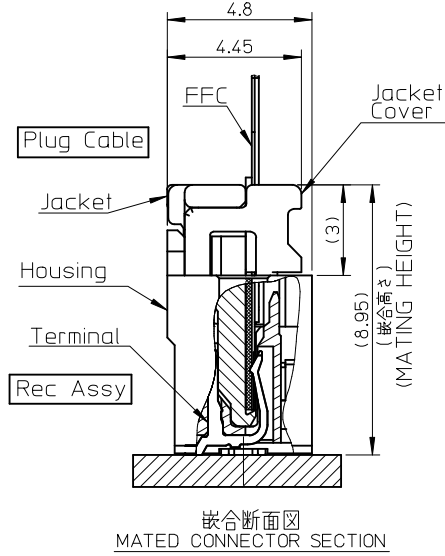
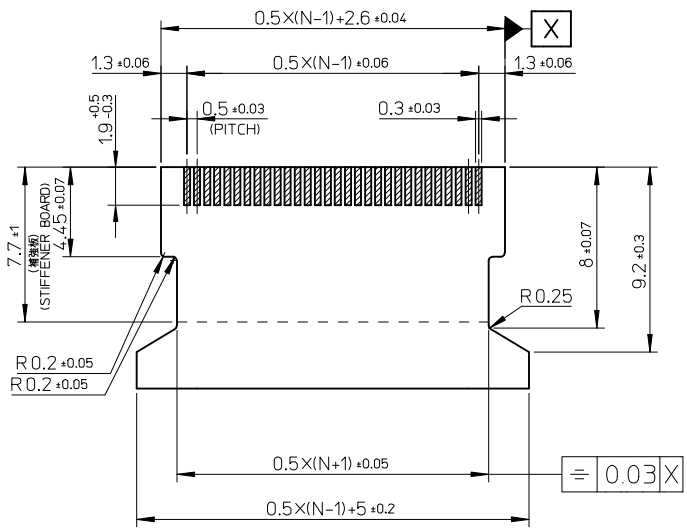
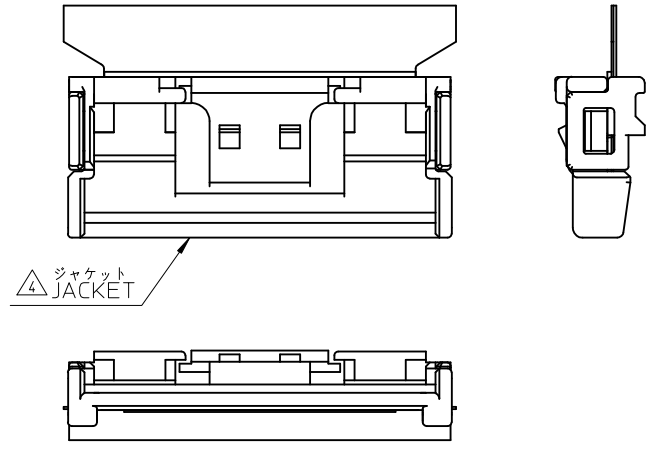
参考基板レイアウト
P.C. BOARD PATTERN
DIMENSION (REF.)
(マウント面)
(MOUNTING SIDE)



17.2	19.1	14.5	23.1	501786-3092	30
D	C	B	A	EMBOSSD TAPE PKG.	極数 CIRCUIT
ORDER No. オーダー番号					

CONNECTOR SERIES No. 501786-***41

REVISED EC NO.: J2010-0779 DRWN: NISHI 2009/10/19 CHKD: MATSUURA 2009/10/19 APPR: MORIKAWA 2009/10/19	GENERAL TOLERANCES (UNLESS SPECIFIED)		DIMENSION STYLE MM ONLY	SCALE 4:1	DESIGN UNITS METRIC	THIRD ANGLE PROJECTION
	10 UNDER	± 0.2	DRAWN BY H. IJIMA	DATE 07/11/26	TITLE 0.5 FFC TO BOARD CONN REC HSG ASSY(ST)	
	10 OVER 30 UNDER	± 0.25	CHECKED BY K. MORIKAWA	DATE 07/11/26	MOLEX INCORPORATED	
	30 OVER	± 0.3	APPROVED BY H. HIRATA	DATE 07/11/26	DOCUMENT NO. SD-501786-006	SHEET NO. 1 OF 2
REV A	DESCRIPTION ANGULAR ±1 ° DRAFT WHERE APPLICABLE MUST REMAIN WITHIN DIMENSIONS	SIZE A3	THIS DRAWING CONTAINS INFORMATION THAT IS PROPRIETARY TO MOLEX INCORPORATED AND SHOULD NOT BE USED WITHOUT WRITTEN PERMISSION			



注記
NOTE

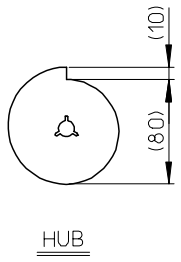
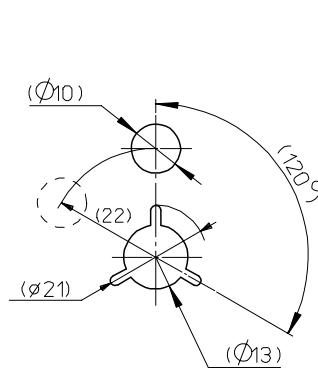
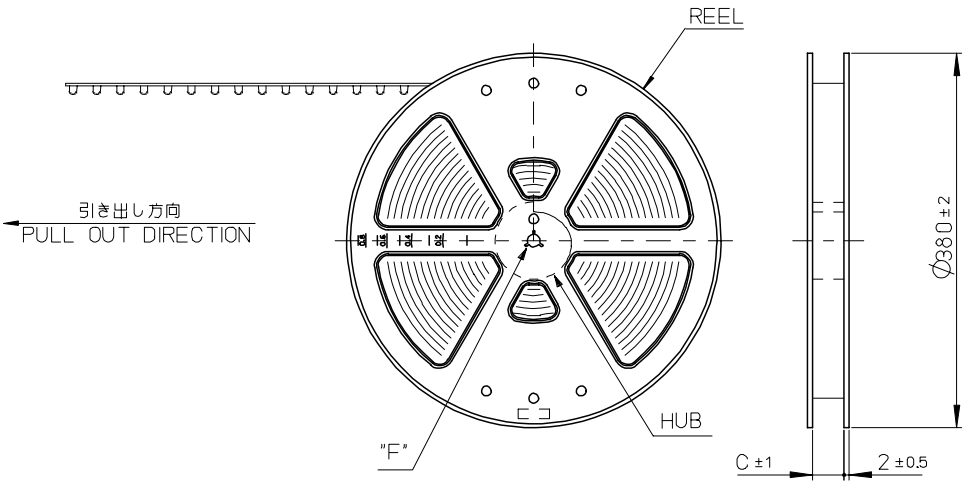
1. 使用材料 MATERIAL
- ハウジング HOUSING : 液晶ポリマー (LCP), ガラス充填, UL94V-0 色:黒色
LIQUID CRYSTAL POLYMER(LCP), GLASS FILLED,UL94V-0 COLOR:BLACK
 - ターミナル TERMINAL : 銅合金 (τ=0.18)
COPPER ALLOY(τ=0.18)
 - メッキ PLATING : ニッケル下地
金メッキ
CONTACT AREA OVER NICKEL PLATING
GOLD
ソルダーテール SOLDER TAIL : ニッケル下地
金メッキ
TAIL AREA OVER NICKEL PLATING
GOLD
 - 金具 FITTING NAIL : 銅合金 (τ=0.25)
ニッケル下地 錫メッキ
COPPER ALLOY(τ=0.25)
TIN OVER NICKEL PLATING.
 - グラウンド端子 GROUND TERMINAL : 銅合金 (τ=0.15)
ニッケル下地 錫メッキ
COPPER ALLOY(τ=0.15)
TIN OVER NICKEL PLATING.

- △2 N=偶数に適用 (N:極数)
APPLY FOR N=EVEN(CIRCUIT)
 - △3 パターン剥離止め用金具
FITTING NAIL FOR PREVENTION OF PEELING OF P.C.B PATTERN.
 - △4 適合ジャケット: 501783-**09
製品詳細寸法はSD-501783-004を参照下さい。
APPLICABLE JACKET:501783-**09
RE DETAILED DIMENSION,SEE SD-501783-004.
 - △5 適合ジャケットカバー: 501784-**09
製品詳細寸法はSD-501784-004を参照下さい。
APPLICABLE JACKET:501784-**09
RE DETAILED DIMENSION,SEE SD-501784-004.
6. ELV及びRoHS適合品
ELV AND ROHS COMPLIANT
7. FFCについて
ABOUT FFC
打ち抜き方向は導体側から補強板側を推奨します。
導体部については軟箔銅35µmまたは50µmを推奨します。
RECOMMENDED PUNCHING DIRECTION:
FROM CONDUCTOR SIDE TO STIFFENER SIDE
RECOMMENDED CONDUCTOR SPEC:
SOFT COPPER FOIL
RECOMMENDED CONDUCTOR THICKNESS:
35MICROMETER OR 50MICROMETER

コネクタ接点部 CONTACT AREA

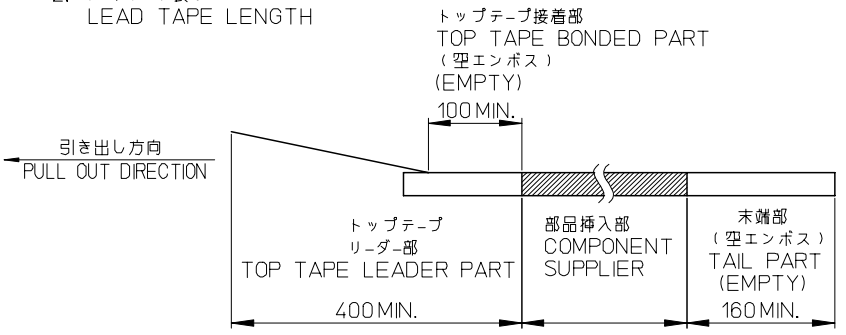
適合FFC推奨寸法
APPLICABLE FFC
RECOMMENDED DIMENSION
(仕上がり厚さ:コネクタ接点部 0.3±0.03)
(THICKNESS :CONTACT AREA 0.3±0.03)

REVISED EC NO: J2010-0779 DRMNNISHI 2009/10/19 CHKD:WATSUURA 2009/10/19 APPR:KNORIKAWA 2009/10/19	GENERAL TOLERANCES (UNLESS SPECIFIED)		DIMENSION STYLE MM ONLY	SCALE 4:1	DESIGN UNITS METRIC	THIRD ANGLE PROJECTION
	10 UNDER	±0.2	DRAWN BY H.IIJIMA	DATE 07/11/26	TITLE 0.5 FFC TO BOARD CONN REC HSG ASSY(ST)	
	10 OVER 30 UNDER	±0.25	CHECKED BY K.MORIKAWA	DATE 07/11/26	MOLEX INCORPORATED	
	30 OVER	±0.3	APPROVED BY H.HIRATA	DATE 07/11/26	DOCUMENT NO. SD-501786-006	SHEET NO. 2 OF 2
A	DESCRIPTION	ANGULAR ±1° DRAFT WHERE APPLICABLE MUST REMAIN WITHIN DIMENSIONS	MATERIAL NO. SEE SHEET 1	THIS DRAWING CONTAINS INFORMATION THAT IS PROPRIETARY TO MOLEX INCORPORATED AND SHOULD NOT BE USED WITHOUT WRITTEN PERMISSION		



NOTES

1. 梱包数量： 900 個/リール
NUMBER OF CONNECTORS:900 PCS/REEL
2. リードテープ長さ
LEAD TAPE LENGTH



3. 製品詳細寸法については図面 SD-501786-006を参照下さい。
RE DETAILED DIMENSION, SEE SD-501786-006.
4. 材料(MATERIAL)
キャリアテープ(CARRIER TAPE)：ポリスチレン(POLYSTYRENE)
トップテープ(TOP TAPE)：PET, PE, PE
リール(REEL)：ポリスチレン(POLYSTYRENE)<リサイクル材を含む>
<RECYCLE MATERIAL CONTAINED>
5. ELV及びRoHS適合品
ELV AND RoHS COMPLIANT

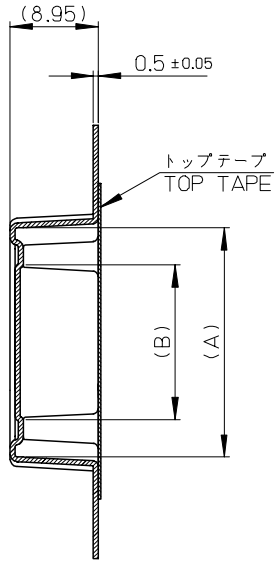
501786-**92
MODEL NO.

RELEASED EC NO: J2008-2176 DRWNG: SETO 2007/11/29 CHKD: MORIKAWA 2007/11/29 APPR: MORIKAWA 2007/11/30	GENERAL TOLERANCES (UNLESS SPECIFIED)		DIMENSION STYLE MM ONLY		SCALE ---	DESIGN UNITS METRIC	THIRD ANGLE PROJECTION	
	10 UNDER	± 0.2	DRAWN BY H. IJIMA	DATE 07/11/26	TITLE EMBSTP PKG FOR 0.5 FFC TO BOARD ST TYPE			
	10 OVER 30 UNDER	± 0.25	CHECKED BY K. MORIKAWA	DATE 07/11/26				
	30 OVER	± 0.3	APPROVED BY H. HIRATA	DATE 07/11/26	MOLEX INCORPORATED			
	ANGULAR	± 3	MATERIAL NO. 501786-**92	DOCUMENT NO. SD-501786-007				
DRAFT WHERE APPLICABLE MUST REMAIN WITHIN DIMENSIONS		SIZE A3		THIS DRAWING CONTAINS INFORMATION THAT IS PROPRIETARY TO MOLEX INCORPORATED AND SHOULD NOT BE USED WITHOUT WRITTEN PERMISSION				

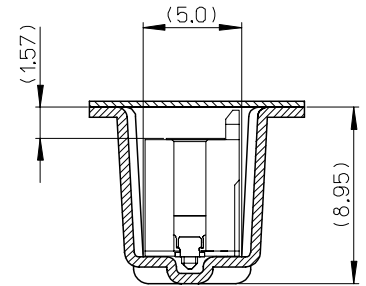
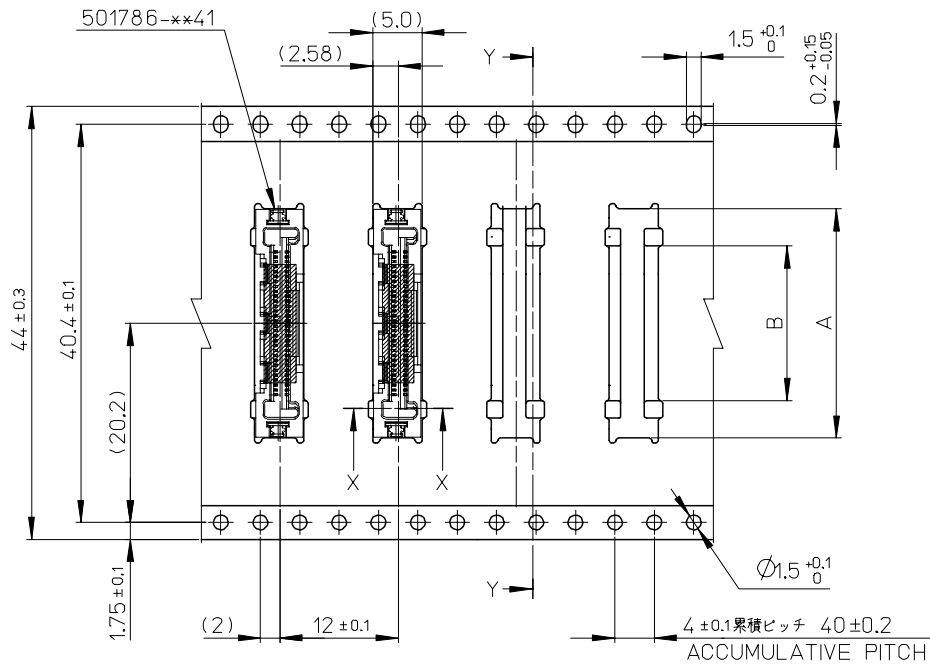
10 9 8 7 6 5 4 3 2 1

F
E
D
C
B
A

引き出し方向
PULL OUT DIRECTION



SECT. Y-Y



SECT. X-X

44mm幅キャリアテープ
44mm WIDTH CARRIER TAPE

44	45.4	15.68	23.3	501786-3092	30
キャリアテープ幅 MATERIAL No.	C	B	A	製品番号 MATERIAL No.	極数 CKT

SEE SHEET 1 OF 2 EC NO: J2008-2176 DRWNG SETO 2007/11/29 CHKD: MORIKAWA 2007/11/29 APPR: MORIKAWA 2007/11/30	GENERAL TOLERANCES (UNLESS SPECIFIED)		DIMENSION STYLE MM ONLY		SCALE ---	DESIGN UNITS METRIC	THIRD ANGLE PROJECTION
	10 UNDER	± 0.2	DRAWN BY H. IJIMA	DATE 07/11/26	TITLE EMBSTP PKG FOR 0.5 FFC TO BOARD ST TYPE		
	10 OVER 30 UNDER	± 0.25	CHECKED BY K. MORIKAWA	DATE 07/11/26	MOLEX INCORPORATED		
	30 OVER	± 0.3	APPROVED BY H. HIRATA	DATE 07/11/26	DOCUMENT NO. SD-501786-007	SHEET NO. 2 OF 2	
0	ANGULAR	± 3	MATERIAL NO. 501786-**92		THIS DRAWING CONTAINS INFORMATION THAT IS PROPRIETARY TO MOLEX INCORPORATED AND SHOULD NOT BE USED WITHOUT WRITTEN PERMISSION		
DRAFT WHERE APPLICABLE MUST REMAIN WITHIN DIMENSIONS							