

**PLEASE CHECK WWW.MOLEX.COM FOR LATEST PART INFORMATION**

**Part Number:** [0490360410](#)  
**Status:** **Active**  
**Description:** 3.80mm (.150") Pitch, Wire-to-Wire Uniconn Female Housing, for 2.28mm (.090") Diameter Terminal, White

**Documents:**

[Drawing \(PDF\)](#) [RoHS Certificate of Compliance \(PDF\)](#)  
[Product Specification PS-49033-001 \(PDF\)](#)

**General**

Product Family	Crimp Housings
Series	<a href="#">49036</a>
Product Name	Uniconn

**Physical**

Circuits (maximum)	4
Color - Resin	Black, Natural
Gender	Female
Glow-Wire Compliant	No
Lock to Mating Part	Yes
Material - Resin	Polyester
Number of Rows	1
Packaging Type	Bag
Panel Mount	No
Pitch - Mating Interface (in)	0.150 In
Pitch - Mating Interface (mm)	3.80 mm
Polarized to Mating Part	Yes
Stackable	No
Temperature Range - Operating	-40°C to +80°C

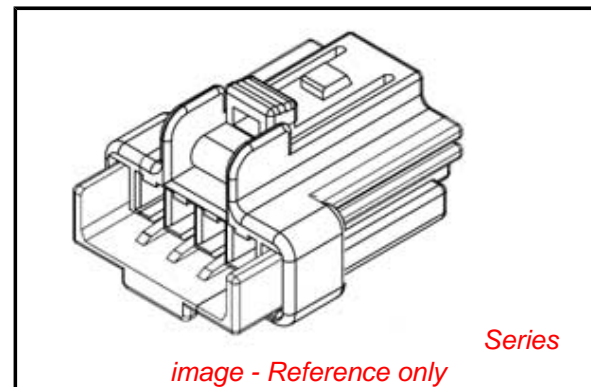
**Electrical**

Current - Maximum per Contact	10A
-------------------------------	-----

**Material Info**

**Reference - Drawing Numbers**

Product Specification	PS-49033-001
Sales Drawing	SD-49036-001



**EU RoHS**

**ELV and RoHS Compliant**  
**REACH SVHC**  
 Not Reviewed  
**Halogen-Free Status**

**China RoHS**



**Need more information on product environmental compliance?**

Email [productcompliance@molex.com](mailto:productcompliance@molex.com)  
 For a multiple part number RoHS Certificate of Compliance, [click here](#)

Please visit the [Contact Us](#) section for any non-product compliance questions.

**Search Parts in this Series**

[49036Series](#)

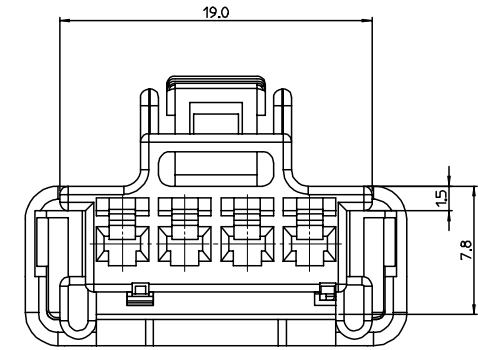
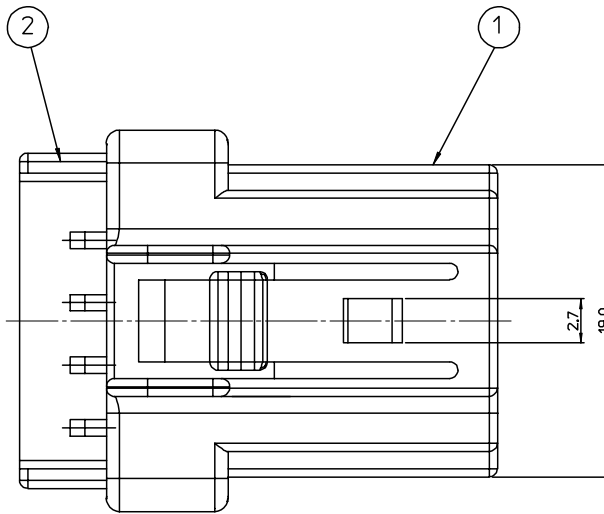
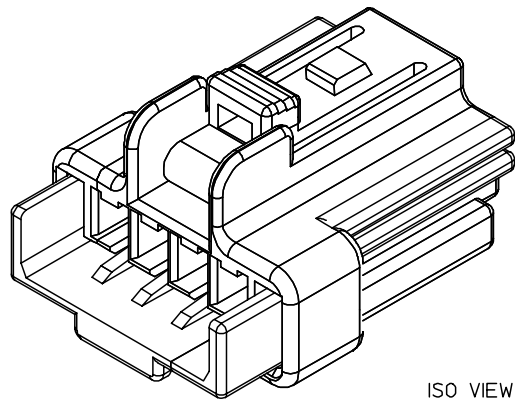
**Mates With**

[49035 Housing](#)

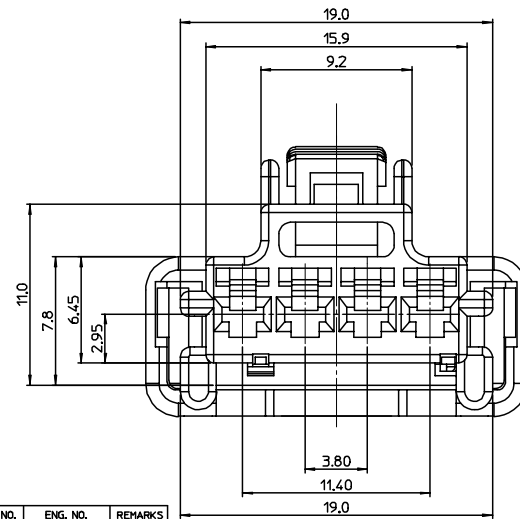
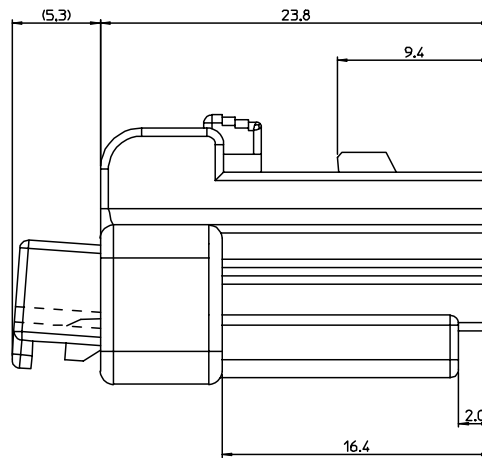
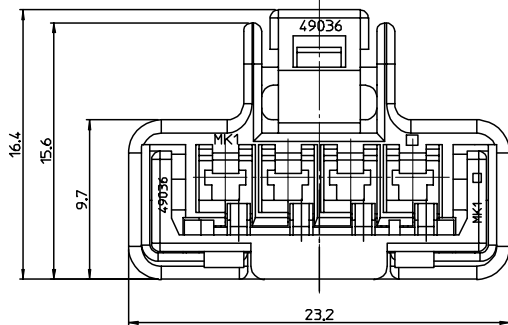
**Use With**

[35421 Terminal](#)

PROJECT NO. SD-49036-001  
 SIMILAR ITEM  
 DWG. NO. SD-49036-001  
 DO NOT SCALE DRAWING  
 DIMENSION IN METRIC



49036-0417



<NOTE>

1. MATERIAL : SEE TABLE
2. MATING CONNECTOR : 49035-0410/0417
3. APPLICABLE TERMINAL : 35421-6\*02

NO.	PART NO.	PART NAME	MATERIAL	COLOR
1	(A) 49036-0490	.090 F/HSG 4P	POLYESTER	NATURAL
	(B) 49036-0495	.090 F/HSG 4P	POLYESTER	GRAY
	(C) 49036-0497	.090 F/HSG 4P	POLYESTER	BROWN
2	(D) 49036-0481	.090 F/TPA 4P	POLYESTER	BLACK

MATERIAL NO.	ENG. NO.	REMARKS							
490360410	49036-0410	(A) + (D)							
490360415	49036-0415	(B) + (D)							
490360417	49036-0417	(C) + (D)							
49036-0410/0415									
NEW RELEASED EEN NO. KOR2004-0092 DRAWNSHIP 04/01/27 CHK&C.YOON 04/01/27 APPROVEE	QUALITY SYMBOLS	GENERAL TOLERANCES (UNLESS SPECIFIED)	SCALE 5:1	DESIGN UNITS <input checked="" type="checkbox"/> MM <input type="checkbox"/> INCH	THIRD ANGLE PROJECTION <input type="checkbox"/> <input checked="" type="checkbox"/>	DIMENSIONS: <input type="checkbox"/> INCH <input type="checkbox"/> MM <input checked="" type="checkbox"/> INCH <input type="checkbox"/> MM ONLY	SHT 1	REV	
	DESCRIPTION	MAJOR	MINOR	DRAWN BY & DATE	CHECKED BY & DATE	TITLE			
		4 PLACES	±0.10 ±	SJMKH 03/12/10	CHECKED BY & DATE	B.C.YOON 03/12/10	.090-II W/W FEMALE HSG ASS'Y 4P		
		3 PLACES	±0.20 ±	APPROVED BY & DATE	C.W.LEE 03/12/10				
		2 PLACES	±0.30 ±	ANGULAR: ± 1°					
REVISION	REVISION	REVISION							
A			DRAFT WHERE APPLICABLE MUST REMAIN WITHIN DIMENSIONS		THIS DRAWING CONTAINS INFORMATION THAT IS PROPRIETARY TO MOLEX INCORPORATED AND SHOULD NOT BE USED WITHOUT WRITTEN PERMISSION.				
			CAD FILENAME SD/9036JM		MATERIAL NO. SEE TABLE		DRAWING NO. SD-49036-001		
					KOREA		SHEET NO. 1 OF 1		
							SIZE C		
							MX-A2		