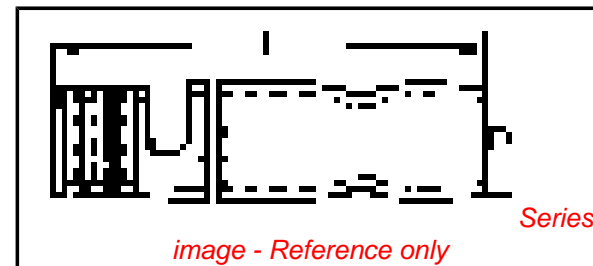


**PLEASE CHECK WWW.MOLEX.COM FOR LATEST PART INFORMATION**

**Part Number:** [0197244402](#)  
**Status:** **Active**  
**Description:** VibraKrimp™ Snap Plug for 14-18 AWG Wire, Strain Relief, Plated, Fits Diameter 4.57mm (.180")

**Documents:**

[Drawing \(PDF\)](#) [RoHS Certificate of Compliance \(PDF\)](#)



**General**

Product Family	Quick Disconnects
Series	<a href="#">19724</a>
Comments	Open Barrel
Crimp Quality Equipment	Yes
Product Name	VibraKrimp™
Type	Snap Plug

**Physical**

Barrel Type	Open
Gender	Male
Glow-Wire Compliant	No
Insulation	None
Lock to Mating Part	None
Material - Metal	Brass
Material - Plating Mating	Tin
Material - Plating Termination	Tin
Orientation	Straight
Packaging Type	Reel
Plating min: Mating (µin)	100
Plating min: Mating (µm)	2.5
Plating min: Termination (µin)	100
Plating min: Termination (µm)	2.5
Tab Thickness	N/A
Tab Width	N/A
Termination Interface: Style	Crimp or Compression
Wire Insulation Diameter	N/A
Wire Size AWG	14, 16, 18
Wire Size mm²	0.96 - 2.60

**Electrical**

Voltage - Maximum	N/A
-------------------	-----

**Material Info**

**Reference - Drawing Numbers**

Sales Drawing	SD-19724-002
---------------	--------------

**EU RoHS**

**ELV and RoHS Compliant**  
**REACH SVHC Contains SVHC: No**  
**Halogen-Free Status**  
**Not Reviewed**

**China RoHS**



**Need more information on product environmental compliance?**

Email [productcompliance@molex.com](mailto:productcompliance@molex.com)  
 For a multiple part number RoHS Certificate of Compliance, [click here](#)

Please visit the [Contact Us](#) section for any non-product compliance questions.

**Search Parts in this Series**

[19724Series](#)

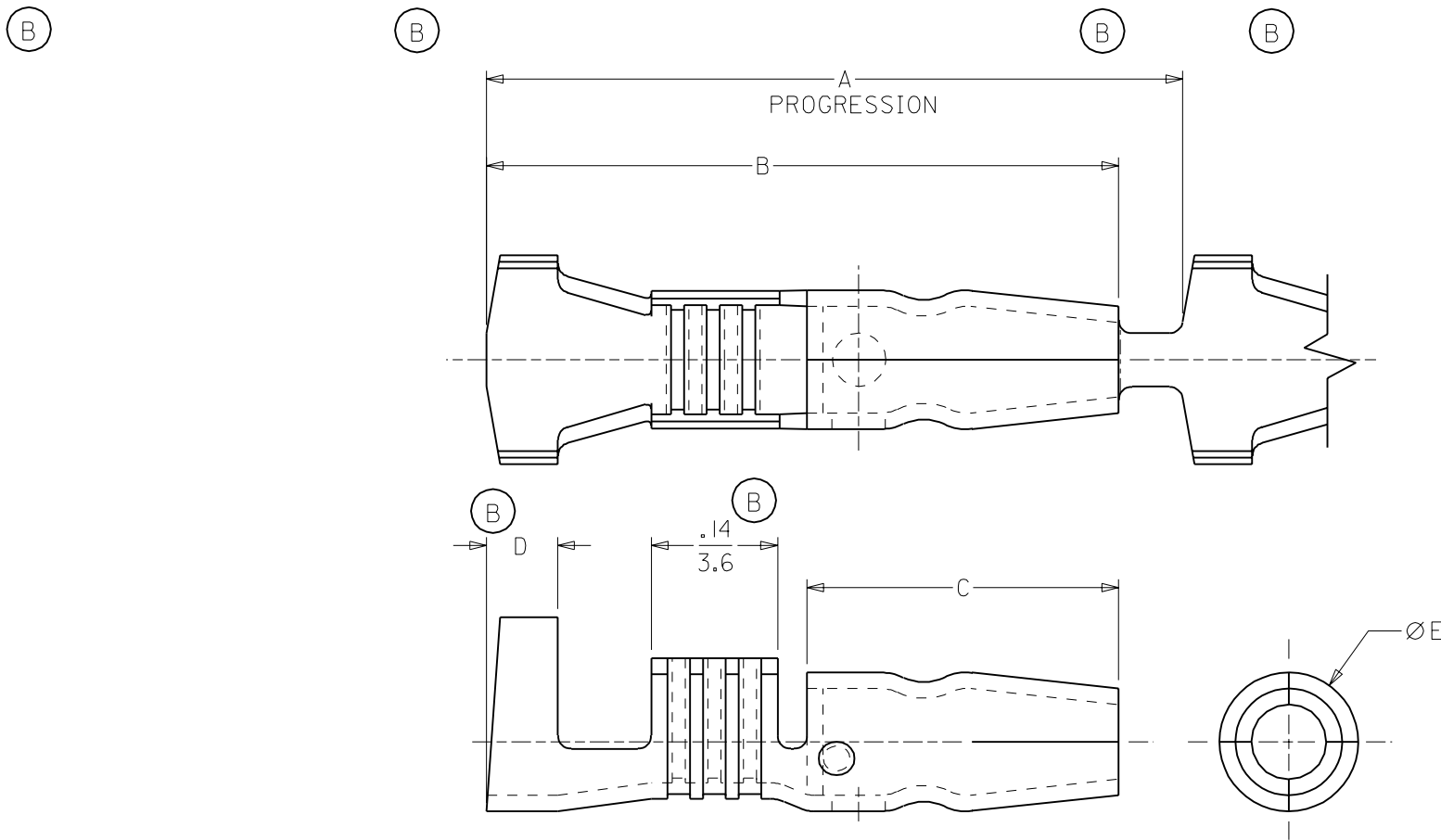
**Application Tooling | [FAQ](#)**

*Tooling specifications and manuals are found by selecting the products below. Crimp Height Specifications are then contained in the Application Tooling Specification document.*

**Global**

Description	Product #
Rear Feed Mini-Mac Applicator for VibraKrimp™ Snap Male Plug Terminals, 14-18 AWG	<a href="#">0638026700</a>

MATERIAL NUMBER	ENG. NUMBER	DESCRIPTION	FITS RECEPT. DIAMETER.	A	B	C	D	E
197244102	19724-4102	PLATED	.156/(3.96)	.76/(19.3)	.71/(18.0)	.35/(8.9)	.08/(2.0)	.156/(3.96)
197244402	19724-4402	PLATED	.180/(4.57)	.83/(21.2)	.74/(18.8)	.44/(11.2)	.06/(1.5)	.180/(4.57)
197244100	19724-4100	UNPLATED	.156/(3.96)	.76/(19.3)	.71/(18.0)	.35/(8.9)	.08/(2.0)	.156/(3.96)
197244400	19724-4400	UNPLATED	.180/(4.57)	.83/(21.2)	.74/(18.8)	.44/(11.2)	.06/(1.5)	.180/(4.57)



SALES DRAWING

NOTE(S):  
 1. MATERIAL: BRASS  
 2. MATERIAL THICKNESS: .016/(0.41)  
 3. PLATING: ELECTRO-TIN

ADDED UNPLT NO'S	EC NO. ETC2003-0162	DRWN: DLM 02/12/20	CHK: SB 02/12/20	APPR: RWD 02/12/20
REV	B	DESCRIPTION	MAJOR	CRITICAL
			▼ = Ø	∇ = Ø

QUALITY SYMBOLS	GENERAL TOLERANCES: (UNLESS SPECIFIED)	
	mm	INCH
4 PLACES	±0.-----	±.-----
3 PLACES	±0.---	±.005
2 PLACES	±0.13	±.010
1 PLACE	±0.25	±.---
ANGULAR: ±1/2°		
DRAFT WHERE APPLICABLE MUST REMAIN WITHIN DIMENSIONS		

SCALE	DESIGN UNITS
5:1	<input type="checkbox"/> mm <input checked="" type="checkbox"/> INCH
DRAWN BY & DATE	
DLM 02/12/20	
CHECKED BY & DATE	
SB 02/12/20	
APPROVED BY & DATE	
RWD 02/12/20	
CAD FILENAME	MATERIAL NO.
SD19724002.DGN	(SEE CHART)

DIMENSIONS:		SHT	REV
<input type="checkbox"/> mm <input checked="" type="checkbox"/> INCH	<input type="checkbox"/> mm <input type="checkbox"/> ONLY		
THIRD ANGLE PROJECTION		REVISE ON CAD ONLY	
TITLE:		VIBRAKRIMP SNAP PLUG	
		18-14 AWG, OPEN BARREL	
		CHAIN STAMPED	
MOLEX INCORPORATED			
DRAWING NO.	SHEET NO.		
SD-19724-002	1 OF 1		
THIS DRAWING CONTAINS INFORMATION THAT IS PROPRIETARY TO MOLEX INCORPORATED AND SHOULD NOT BE USED WITHOUT WRITTEN PERMISSION.		SIZE A	