

**PLEASE CHECK WWW.MOLEX.COM FOR LATEST PART INFORMATION**

**Part Number:** [0190220017](#)  
**Status:** **Active**  
**Description:** Krimptite™ Quick Disconnect, Male, for 10-12 (5.00-3.30) Wire, Mylar Tape, Tab 6.35mm (.250") x 0.81mm (.032")

**Documents:**

[Drawing \(PDF\)](#)

[RoHS Certificate of Compliance \(PDF\)](#)

**General**

Product Family	Quick Disconnects
Series	<a href="#">19022</a>
Comments	Economical
Crimp Quality Equipment	Yes
Product Name	Krimptite™
Type	Quick Disconnect

**Physical**

Barrel Type	Closed
Gender	Male
Glow-Wire Compliant	No
Insulation	None
Lock to Mating Part	None
Material - Metal	Copper
Orientation	Straight
Packaging Type	Adhesive Tape on Reel
Polarized to Mating Part	No
Tab Thickness	0.81mm (.032")
Tab Width	6.35mm (.250")
Temperature Range - Operating	Per Wire Specification
Wire Size AWG	10, 12
Wire Size mm²	3.30 - 5.00

**Electrical**

Voltage - Maximum	Per Wire Specification
-------------------	------------------------

**Material Info**

Old Part Number	CMCT-1T
-----------------	---------

**Reference - Drawing Numbers**

Sales Drawing	SD-19022-012
---------------	--------------

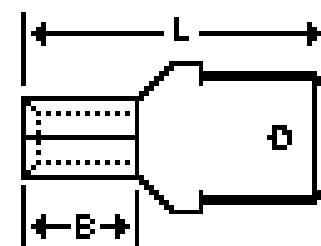


image - Reference only

—Series

**EU RoHS**

**ELV and RoHS Compliant**

**REACH SVHC**

Not Reviewed

**Halogen-Free**

**Status**

**Not Reviewed**

**China RoHS**



**Need more information on product environmental compliance?**

Email [productcompliance@molex.com](mailto:productcompliance@molex.com)  
 For a multiple part number RoHS Certificate of Compliance, [click here](#)

Please visit the [Contact Us](#) section for any non-product compliance questions.

**Search Parts in this Series**

[19022Series](#)

**Application Tooling | FAQ**

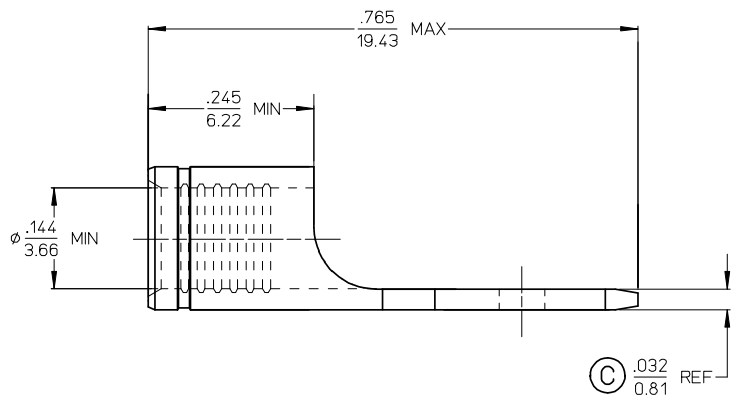
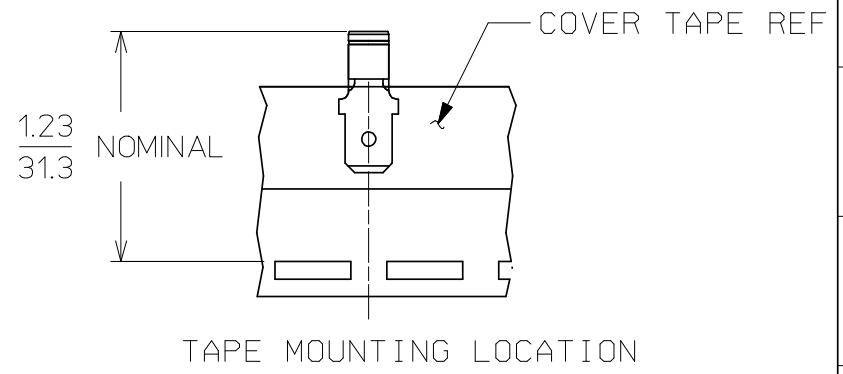
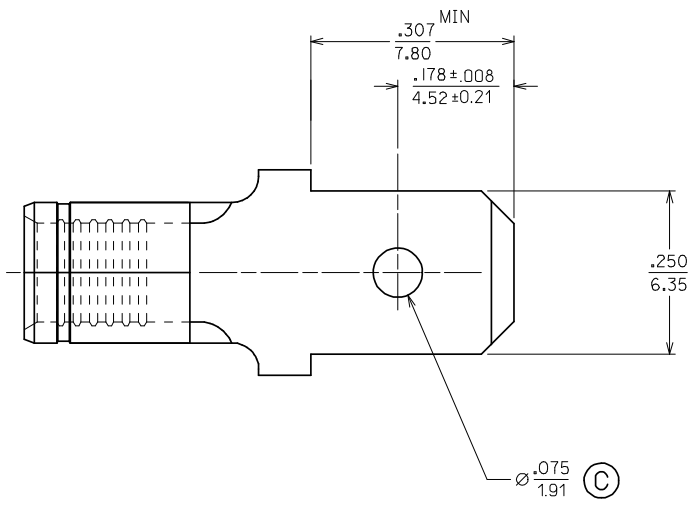
*Tooling specifications and manuals are found by selecting the products below. Crimp Height Specifications are then contained in the Application Tooling Specification document.*

**Global**

Description	Product #
Crimp Dies for MTA-100 Tape Applicator used in 3BF Press, MTA-105 Tape Applicator used in TM-2000™ Press, and ATP-301 Air Crimping Press for Mylar Tape Mounted Terminals	<a href="#">0192880098</a>

13	12	11	10	9	8	7	6	5	4	3	2	1
MATERIAL NUMBER		ENGINEERING NUMBER	DESCRIPTION									
190220015		CMCT-1	ZINC CHROMATE PLATED									
190220017		CMCT-1T	ZINC CHROMATE PLATED, TAPE MOUNTED									

Ⓒ  
Ⓒ



# SALES DRAWING

- Ⓒ NOTES:
1. MATERIAL: BRASS
  2. FINISH: SEE CHART
  3. WIRE SIZE: 12-10 AWG (3.09 - 5.01 mm<sup>2</sup>)
  4. TAB DIMENSIONS CONFORM TO UL310 SPECIFICATIONS.
  5. PART IS ROHS COMPLIANT.

<b>CHANGED MATL &amp; FINISH</b> EC NO: ETC2007-0081 DRAWN:EHILE 2008/01/28 CHKD:JMACNEIL 2008/01/28 APPR:JMACNEIL 2008/02/13	QUALITY SYMBOLS	GENERAL TOLERANCES (UNLESS SPECIFIED)	DIMENSION STYLE	SCALE	DESIGN UNITS	THIRD ANGLE PROJECTION															
	$\nabla=0$ $\nabla=0$	<table border="1"> <tr> <th></th> <th>mm</th> <th>INCH</th> </tr> <tr> <td>4 PLACES</td> <td>±---</td> <td>±---</td> </tr> <tr> <td>3 PLACES</td> <td>±---</td> <td>±.005</td> </tr> <tr> <td>2 PLACES</td> <td>±0.13</td> <td>±.01</td> </tr> <tr> <td>1 PLACE</td> <td>±0.25</td> <td>±---</td> </tr> </table>		mm	INCH	4 PLACES	±---	±---	3 PLACES	±---	±.005	2 PLACES	±0.13	±.01	1 PLACE	±0.25	±---	IN/MM	4:1	INCH	
		mm	INCH																		
	4 PLACES	±---	±---																		
3 PLACES	±---	±.005																			
2 PLACES	±0.13	±.01																			
1 PLACE	±0.25	±---																			
DRAFT WHERE APPLICABLE MUST REMAIN WITHIN DIMENSIONS	<table border="1"> <tr> <td>DRAWN BY</td> <td>DATE</td> <td>TITLE</td> </tr> <tr> <td>MTS</td> <td>1985/02/20</td> <td>MALE CONNECTOR TERMINAL .250 X .032 TAB</td> </tr> <tr> <td>CHECKED BY</td> <td>DATE</td> <td>KRIMPTITE, 12-10 AWG</td> </tr> <tr> <td>GZ</td> <td>1985/02/20</td> <td></td> </tr> <tr> <td>APPROVED BY</td> <td>DATE</td> <td></td> </tr> </table>	DRAWN BY	DATE	TITLE	MTS	1985/02/20	MALE CONNECTOR TERMINAL .250 X .032 TAB	CHECKED BY	DATE	KRIMPTITE, 12-10 AWG	GZ	1985/02/20		APPROVED BY	DATE		MOLEX INCORPORATED MOLEX INCORPORATED				
DRAWN BY	DATE	TITLE																			
MTS	1985/02/20	MALE CONNECTOR TERMINAL .250 X .032 TAB																			
CHECKED BY	DATE	KRIMPTITE, 12-10 AWG																			
GZ	1985/02/20																				
APPROVED BY	DATE																				
A	REV	MATERIAL NO.	DOCUMENT NO.	SHEET NO.																	
		SEE CHART	SD-19022-012	1 OF 1																	
THIS DRAWING CONTAINS INFORMATION THAT IS PROPRIETARY TO MOLEX INCORPORATED AND SHOULD NOT BE USED WITHOUT WRITTEN PERMISSION																					