

Model(型號): **ROTARY POTENTIOMETER-----R12312AB1**

► [Download PDF file](#)



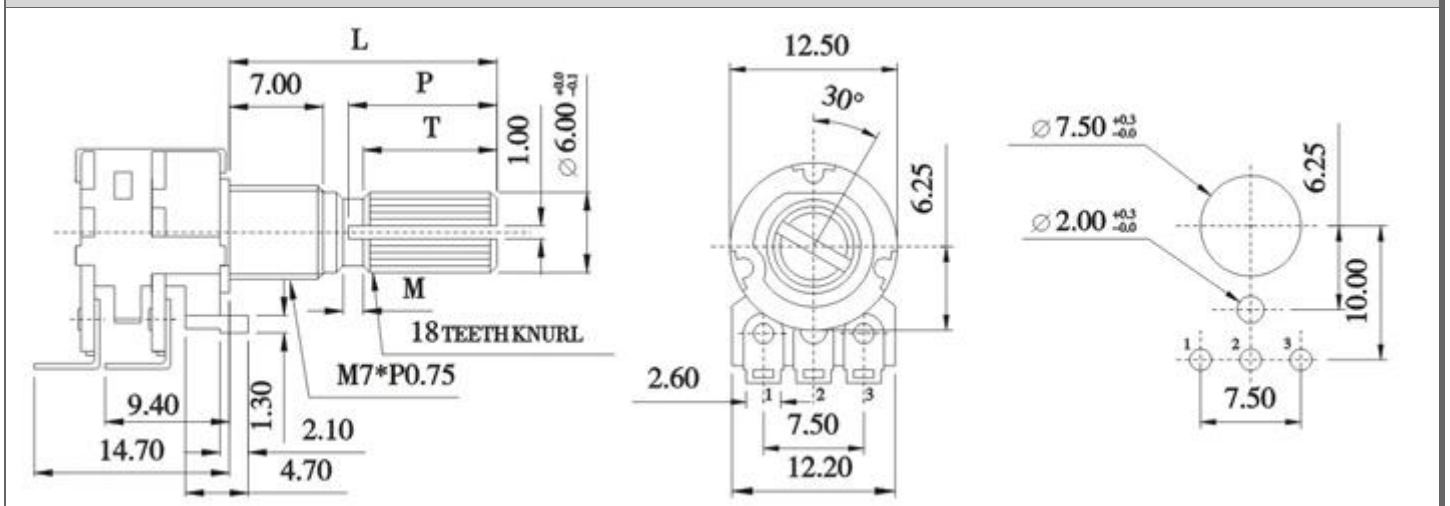
Features:(特點):

Excellent operational feeling

Applications(作用):

Suitable for various vontrol applications with general consumer electronics products,automotive installation equipment and devices,industrial machines,etc

Dimensions(規格圖):



Specifications(規格)

Electrical Characteristics [電氣性能]

Total resistance [全阻抗值]	500Ω~1MΩ
Total resistance tolerance [全阻抗值容許差]	±20%
Ratings power(w) [額定功率]	B curve 0.08W,except B 0.04W
Restings taper[阻抗變化特性]	A,B,*C,D,W,RD
Residual resistance [殘留阻值]	20ΩMax.
Sliding noise [滑動雜音]	47mV Max.
Withstanding voltage [耐電壓]	1 minute at AC 300V
Insulation resistance [絕緣阻抗]	50MΩ Min. at DC 500V.
Max. operating voltage [最高使用電壓]	linear Taper B AC 150V, except B AC 100V.
Gang error:[運動誤差]	-40dB~0dB ±3dB Max.
Switch contact resistance[開關的接觸阻抗]	less than 0.5mΩ
Switch Ratings power	3A at DC 16V or 1A at AC 125V

Mechanical Characteristics [機械性能]

Operation torque [回轉力矩]	20~200gf . cm
Rotation stopper strength [止動強度]	3.0Kgf . cm Min.
Total rotational angle [回轉角度]	300±5°
Push-pull strength[推 拉強度]	5.0Kgf . cm Min.
position of click[掣子位置]	150° ±5°
Center decent force [掣子脫出力矩]	50~250gf.cm
Switch rotational angle[開關的回轉角度]	30° ±10°
Switch action[開關的轉動力]	150~350gf.cm

Endurance Characteristics [耐久性能]

Rotational life [回轉壽命]	More than10,000 cycles
--------------------------	------------------------

