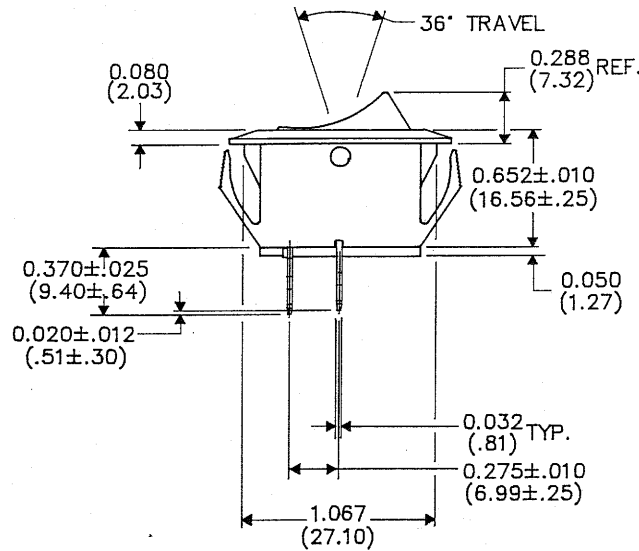
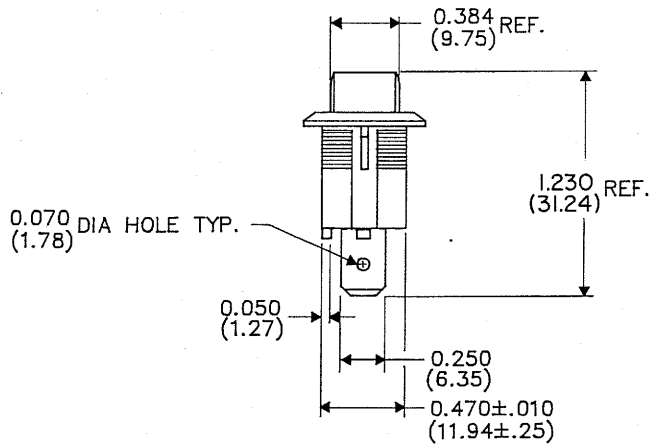
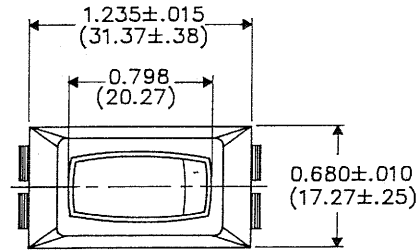
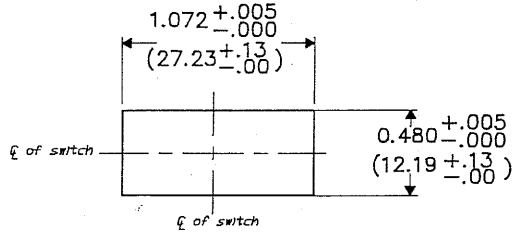


DIMENSIONS IN INCHES (MILLIMETERS)  
DO NOT SCALE DRAWING...

Drawing No. **GRS-2011-3000**

**PANEL PIERCING**



B-FORM-0

**REVISIONS**

0	
RELEASED	4-13-89
MAM	FEB 7 1990

PDF File Made

<b>CW INDUSTRIES</b> Southampton, Pa. 18966	
TOLERANCES UNLESS OTHERWISE SPECIFIED	
2 Place decimal $\pm$ .010	METRIC
3 Place decimal $\pm$ .005	1 Place dec. $\pm$ .25 MM
Angles $\pm$ 1°	2 Place dec. $\pm$ .13 MM
Made for: CW	Division: SWITCH
Drawn by: MAM 4-14-89	Drawing No. GRS-2011-3000
Checked by: <i>[Signature]</i> 2-6-90	
Approval: <i>[Signature]</i> 2-6-90	

Title	ASSEMBLY DRAWING S.P.S.T. ROCKER SWITCH NON-POLARIZED 1.072 x .480 PANEL
Division	SWITCH
Drawing No.	GRS-2011-3000

**MASTER**