



Data Sheet



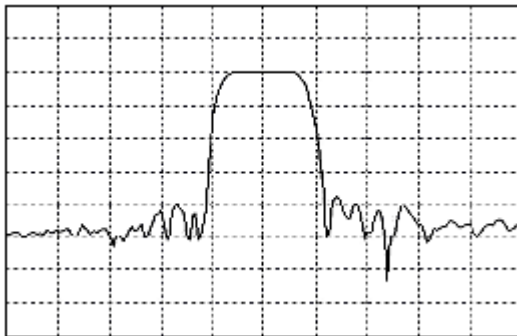
Product Category: IF SAW Filter

Part Number	Package	Application	Last Modified
819-IF150.0M-B	19 x 6.5 SMD	Base Station, Repeater, HDR, IMT-2000	May 02 2003

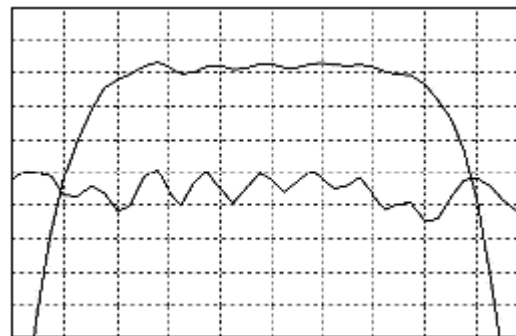
TYPE :
 150.0 MHz Bandpass Filter
 1.50 MHz Bandwidth



PART NUMBER :
819-IF150.0M-B



Horizontal : 1.0 MHz/Div
 Vertical : 10 dB/Div



Horizontal : 0.2 MHz/Div
 Vertical : 1 dB/Div
 Vertical : 100 ns/Div

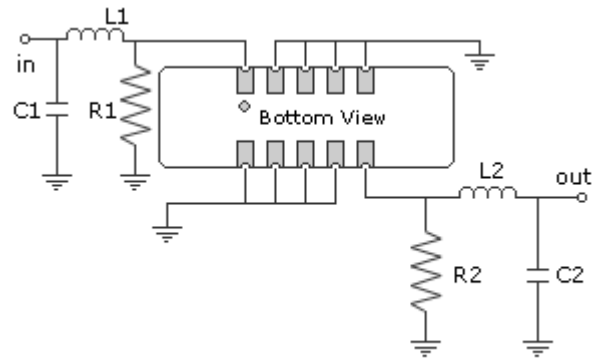
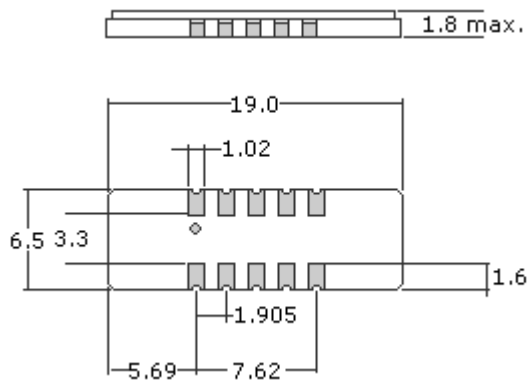
OPERATING CONDITIONS / ELECTRICAL CHARACTERISTICS

PARAMETERS	Minimum	Typical	Maximum	Units
Center Frequency	149.97	150.00	150.03	MHz
Insertion Loss	-	22.0	25.0	dB
1dB Bandwidth	1.26	1.31	-	MHz
3dB Bandwidth	1.50	1.54	-	MHz
30dB Bandwidth	-	2.22	2.26	MHz
Passband Ripple	-	0.35	0.7	dB
Group Delay Variation	-	150	200	nsec
Absolute Delay	-	2.45	-	µsec
Ultimate Rejection	40	50	-	dB
Substrate Material	-	Quartz	-	-
Ambient Temperature	-	25	-	°C
Phase Linearity	-	2.0	5	degc

* Custom SAW IF Filters available. Contact Oscilent for assistance.

PACKAGE OUTLINE (mm)

TEST FIXTURE



L1 = 100nH L2 = 66nH
 C1 = 39pF C2 = 51pF
 R1 = 1Kohm R2 = 1Kohm
 Source/Load Impedance = 50 ohms

Oscilent Corporation - CALL **949.252.0522**

17962 Sky Park Circle, Building D, Irvine, CA 92614, USA
 Fax: 949.252.0599, E-Mail: Sales@Oscilent.com

Part No.: 819-IF150.0M-B

Crystal Oscillators | Quartz Crystal | TCXO | VCXO | IF SAW Filter | RF SAW Filter | Ceramic Resonator
 Crystal Filter | Ceramic Filter | SAW Filter / SAW Devices | Site Map