

PLEASE CHECK WWW.MOLEX.COM FOR LATEST PART INFORMATION

Part Number: [0540920819](#)
Status: **Active**
Description: 1.60mm (.063") Pitch Board-to-Board Panel Detachable, PCB Receptacles, Right Angle, 8 Circuits, Gold (Au) Selective Plating, with Beveled Metal Pins, Tray Packaging, Lead-free

Documents:

[3D Model](#) [Product Specification PS-54092-002 \(PDF\)](#)
[Drawing \(PDF\)](#) [RoHS Certificate of Compliance \(PDF\)](#)

General

Product Family	PCB Receptacles
Series	54092
Application	Board-to-Board
Comments	Panel Detachable
Product Name	N/A

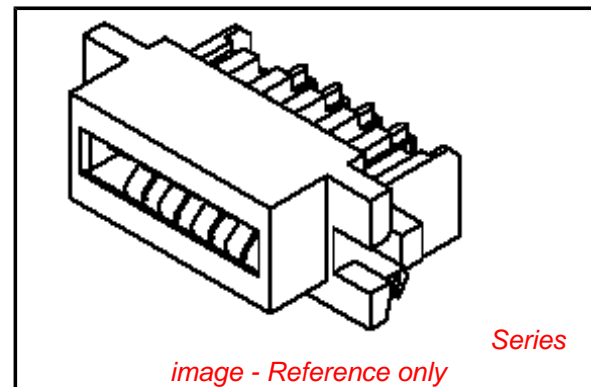
Physical

Circuits (Loaded)	8
Color - Resin	Black
Durability (mating cycles max)	20,000
Glow-Wire Compliant	No
Lock to Mating Part	None
Mated Height (in)	0.421 In
Mated Height (mm)	10.70 mm
Material - Metal	Phosphor Bronze
Material - Plating Mating	Gold, Tin
Material - Plating Termination	Tin
Material - Resin	Polyester
Number of Rows	2
Orientation	Right Angle
PC Tail Length (in)	0.138 In
PC Tail Length (mm)	3.50 mm
PCB Locator	Yes
PCB Retention	Yes
PCB Thickness Recommended (in)	0.062 In
PCB Thickness Recommended (mm)	1.60 mm
Packaging Type	Tray
Pitch - Mating Interface (in)	0.063 In
Pitch - Mating Interface (mm)	1.60 mm
Plating min: Mating (µin)	20, 36
Plating min: Mating (µm)	0.5, 0.90
Plating min: Termination (µin)	36, 40
Plating min: Termination (µm)	0.90, 1
Polarized to Mating Part	No
Polarized to PCB	Yes
Stackable	No
Surface Mount Compatible (SMC)	Yes
Temperature Range - Operating	-40°C to +105°C
Termination Interface: Style	Through Hole

Electrical

Current - Maximum per Contact	1A
Voltage - Maximum	125V

Material Info



EU RoHS

ELV and RoHS Compliant
REACH SVHC Contains SVHC: No
Halogen-Free Status

China RoHS



Need more information on product environmental compliance?

Email productcompliance@molex.com
 For a multiple part number RoHS Certificate of Compliance, [click here](#)

Please visit the [Contact Us](#) section for any non-product compliance questions.

Search Parts in this Series

[54092Series](#)

Mates With

[53866-0870](#)

Reference - Drawing Numbers

Product Specification
Sales Drawing

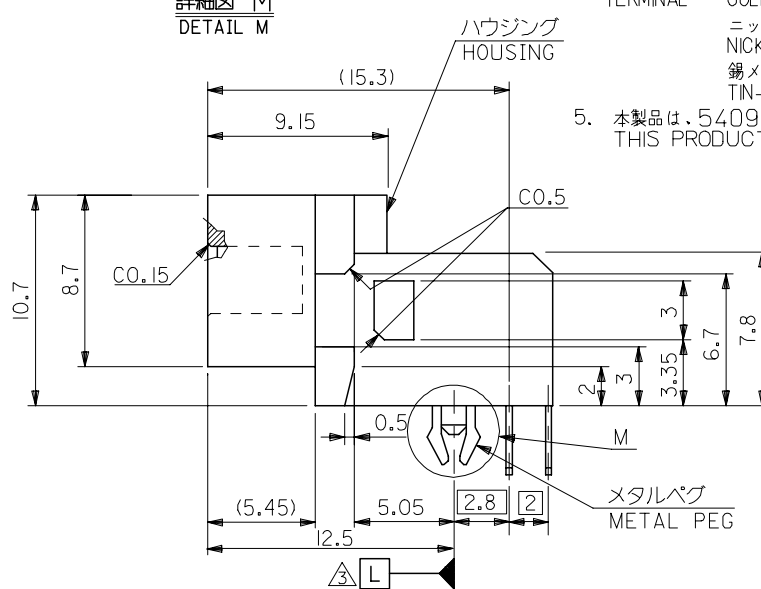
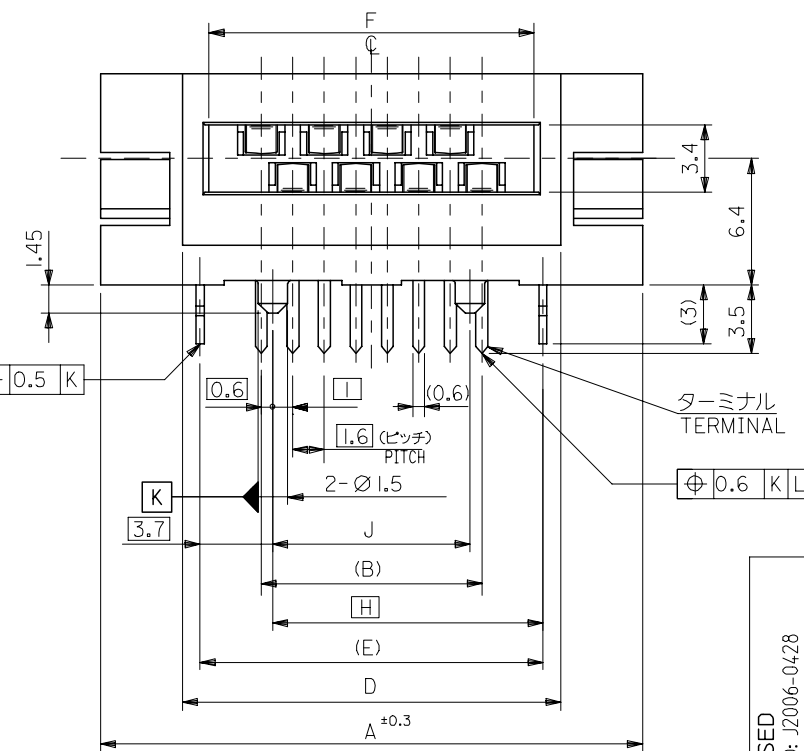
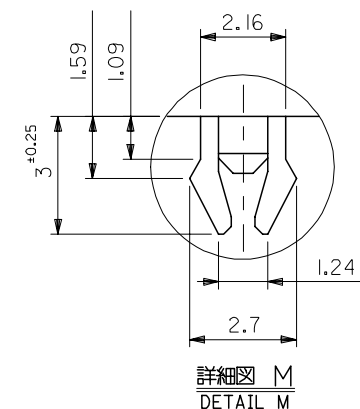
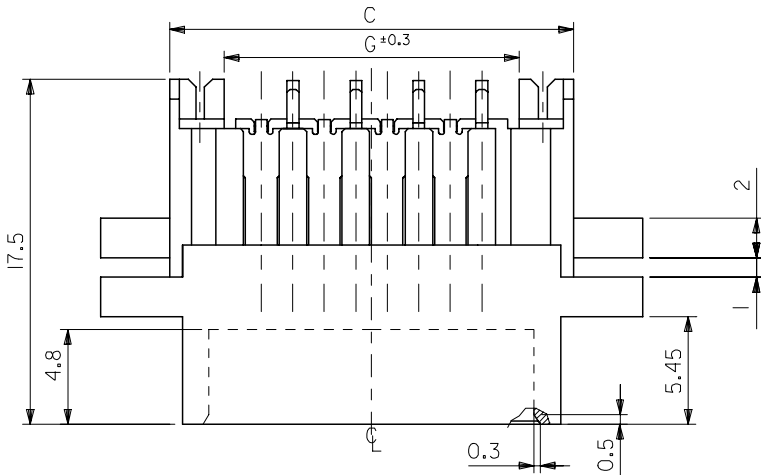
PS-54092-002
SD-54092-001

This document was generated on 04/16/2010

PLEASE CHECK WWW.MOLEX.COM FOR LATEST PART INFORMATION

注記 NOTES :

1. 嵌合相手 : 53866 シリーズ
MATE WITH : 53866 SERIES
2. 使用材料
MATERIAL
ハウジング : PBT, UL94V-0 (BLACK)
HOUSING
ターミナル : リン青銅 (t=0.32)
TERMINAL PHOSPHOR BRONZE
メタルペグ : リン青銅, 錫メッキ材 (t=0.4)
METAL PEG PHOSPHOR BRONZE, TIN PLATE
3. \triangle 基準面 \square は2ヶ所のボス ($\phi 1.5$) の中心。
BASIC PLATE \square IS THE CENTER OF 2 BOSSES ($\phi 1.5$)
4. メッキ仕様
PLATE SPECIFICATIONS
ターミナル : 金メッキ(コンタクト部)
TERMINAL GOLD PLATED (CONTACT AREA)
ニッケルメッキ(下地)
NICKEL PLATED (UNDER PLATE)
錫メッキ(ソルダーテール部)
TIN-PLATED (SOLDER TAIL AREA)
5. 本製品は、54092-**1* の鉛フリー品である。
THIS PRODUCT IS LEAD FREE OF 54092-**1*.



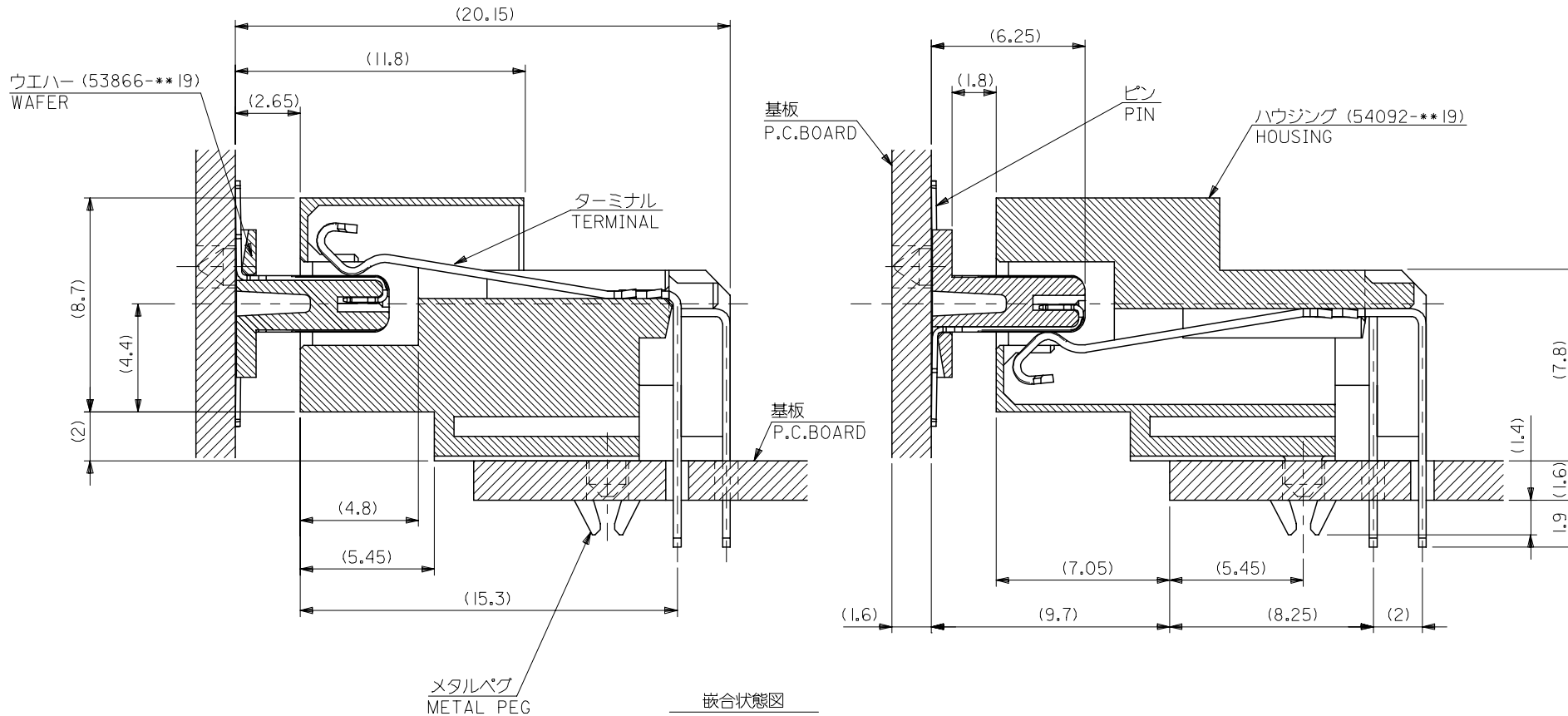
10	13.7	15	16.5	17.4	19.2	20.5	11.2	27.5	54092-0819	8
J	H	G	F	(E)	D	C	(B)	A	MATERIAL NO.	極数 CKT.

REVISED EC NO: J2006-0428 DR: W.HYAJIMA 2005/11/07 CHK: D.N. UKITA 2005/11/07 APP: R. NUKITA 2005/11/10	GENERAL TOLERANCES (UNLESS SPECIFIED)		DIMENSION STYLE MM ONLY		SCALE 4:1	DESIGN UNITS METRIC	THIRD ANGLE PROJECTION		
	10 UNDER	±0.2	DRAWN BY J. SASAMO	DATE 2004/8/6	TITLE 1.6 B/B CONN. HS'G ASS'Y PANEL DETACHABLE TYPE -LEAD FREE-				
	10 OVER 30 UNDER	±0.25	CHECKED BY K. TOJO	DATE 2004/8/6	MOLEX INCORPORATED				
	30 OVER	±0.3	APPROVED BY N. UKITA	DATE 2004/8/6	MATERIAL NO. 54092-**19		DOCUMENT NO. SD-54092-001	SHEET NO. 1 OF 3	
A	ANGULAR	±3 °	DRAFT WHERE APPLICABLE MUST REMAIN WITHIN DIMENSIONS		THIS DRAWING CONTAINS INFORMATION THAT IS PROPRIETARY TO MOLEX INCORPORATED AND SHOULD NOT BE USED WITHOUT WRITTEN PERMISSION				

10 9 8 7 6 5 4 3 2 1

F
E
D
C
B
A

F
E
D
C
B
A



注記 NOTES:

- I. 嵌合誤差吸収量
 THE ALLOWABLE TOLERANCE RANGE OFF MISALIGNMENT
 WHEN MATED
- 1). ピッチ方向 : ±1
 PITCH DIRECTION : ±1
 - 2). ピッチ直角方向 : ±0.5
 A RIGHT PITCH DIRECTION : ±0.5
 - 3). 嵌合方向 : ±0.7
 MATING DIRECTION : ±0.7

REVISED EC NO: J2006-0428 DR: N. HAJI MA 2005/11/07 CHK: D. UKITA 2005/11/07 APPR: N. UKITA 2005/11/10	GENERAL TOLERANCES (UNLESS SPECIFIED)		DIMENSION STYLE MM ONLY		SCALE ---	DESIGN UNITS METRIC	THIRD ANGLE PROJECTION		
	10 UNDER	± ---	DRAWN BY J. SASAMO	DATE 2004/8/6	TITLE 1.6 B/B CONN. HS'G ASS'Y PANEL DETACHABLE TYPE -LEAD FREE-				
	10 OVER 30 UNDER	± ---	CHECKED BY K. TOJO	DATE 2004/8/6	MOLEX INCORPORATED				
	30 OVER	± ---	APPROVED BY N. UKITA	DATE 2004/8/6	MATERIAL NO. 54092-***19		DOCUMENT NO. SD-54092-001	SHEET NO. 3 OF 3	
	ANGULAR ± --- °		DRAFT WHERE APPLICABLE MUST REMAIN WITHIN DIMENSIONS		THIS DRAWING CONTAINS INFORMATION THAT IS PROPRIETARY TO MOLEX INCORPORATED AND SHOULD NOT BE USED WITHOUT WRITTEN PERMISSION				