

**PLEASE CHECK WWW.MOLEX.COM FOR LATEST PART INFORMATION**

**Part Number:** [5031590310](#)  
**Status:** **Active**  
**Description:** 1.50mm (.059") Pitch CLIK-Mate™ Wire-to-Board PCB Receptacle, Single Row, Through Hole, Vertical, without Peg, 3 Circuits

**Documents:**

[3D Model](#) [Product Specification PS-503159-001 \(PDF\)](#)  
[Drawing \(PDF\)](#) [RoHS Certificate of Compliance \(PDF\)](#)

**General**

|                |                 |
|----------------|-----------------|
| Product Family | PCB Receptacles |
| Series         | 503159          |
| Application    | Wire-to-Board   |
| Product Name   | CLIK-Mate™      |

**Physical**

|                                |                |
|--------------------------------|----------------|
| Circuits (Loaded)              | 3              |
| Color - Resin                  | Beige          |
| Durability (mating cycles max) | 30             |
| Glow-Wire Compliant            | No             |
| Guide to Mating Part           | Yes            |
| Keying to Mating Part          | Yes            |
| Lock to Mating Part            | Yes            |
| Material - Metal               | Copper Alloy   |
| Material - Plating Mating      | Tin            |
| Material - Plating Termination | Tin            |
| Number of Rows                 | 1              |
| Orientation                    | Vertical       |
| PCB Locator                    | No             |
| PCB Retention                  | Yes            |
| PCB Thickness Recommended (in) | 0.062 In       |
| PCB Thickness Recommended (mm) | 1.60 mm        |
| Packaging Type                 | Tray           |
| Pitch - Mating Interface (in)  | 0.059 In       |
| Pitch - Mating Interface (mm)  | 1.50 mm        |
| Polarized to Mating Part       | Yes            |
| Polarized to PCB               | Yes            |
| Stackable                      | No             |
| Temperature Range - Operating  | -25°C to +85°C |
| Termination Interface: Style   | Through Hole   |

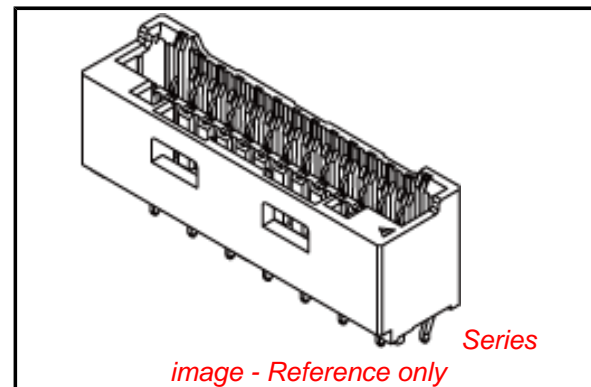
**Electrical**

|                               |      |
|-------------------------------|------|
| Current - Maximum per Contact | 2A   |
| Voltage - Maximum             | 100V |

**Material Info**

**Reference - Drawing Numbers**

|                         |   |
|-------------------------|---|
| Packaging Specification | SPK-503159-001                                |
| Product Specification   | PS-503159-001, RPS-503159-001, RPS-503159-003 |
| Sales Drawing           | SD-503159-002                                 |



**EU RoHS**

**ELV and RoHS Compliant**  
**REACH SVHC Contains SVHC: No**  
**Halogen-Free**  
**Status**  
**Not Reviewed**

**China RoHS**



**Need more information on product environmental compliance?**

Email [productcompliance@molex.com](mailto:productcompliance@molex.com)  
 For a multiple part number RoHS Certificate of Compliance, [click here](#)

Please visit the [Contact Us](#) section for any non-product compliance questions.

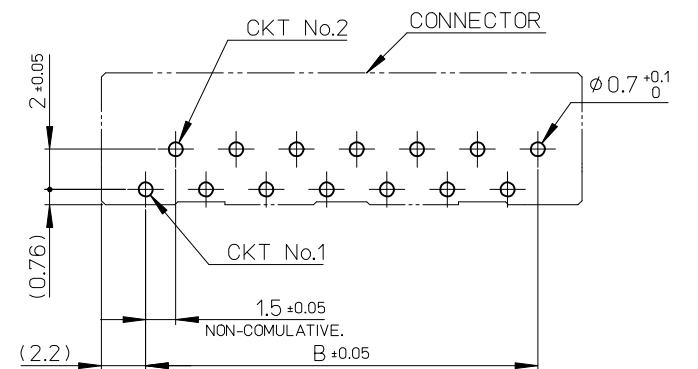
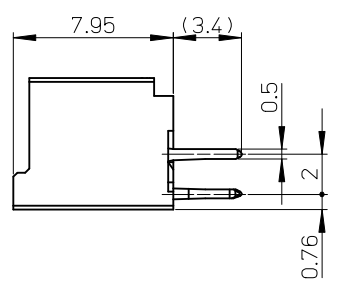
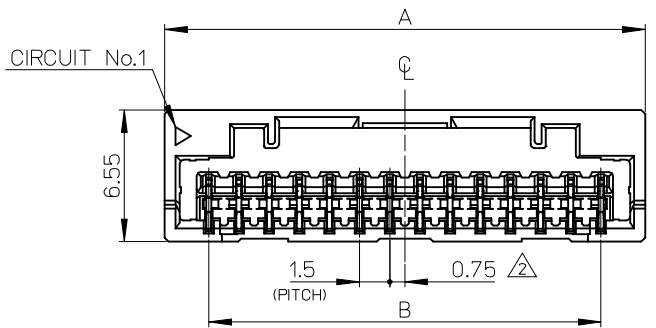
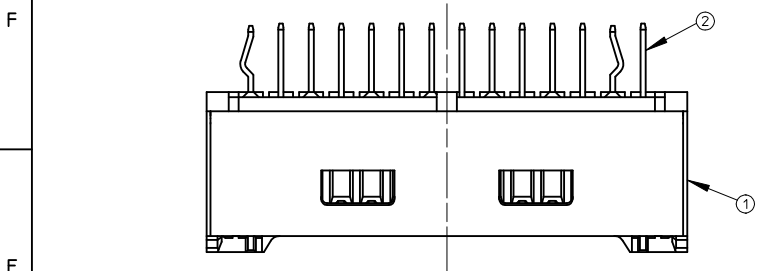
**Search Parts in this Series**

[503159Series](#)

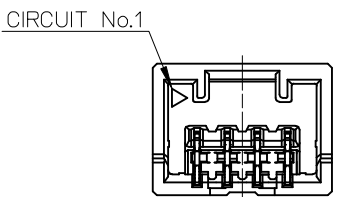
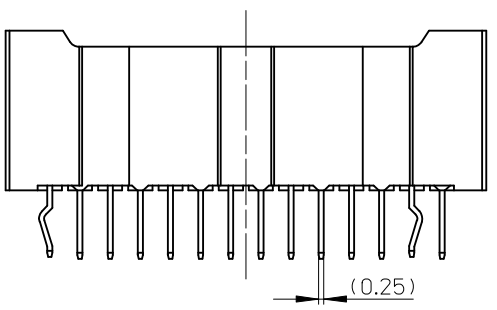
**Mates With**

[502578](#) Crimp Housing . [502579](#) Crimp Terminal

10 9 8 7 6 5 4 3 2 1



基板取付穴推奨寸法 (マウント面)  
 RECOMMENDED P.C.BOARD  
 HOLE DIMENSION  
 (MOUNTING SIDE)  
 (t=1.6)

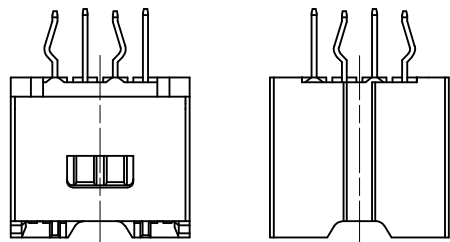


2~11極 CIRCUIT No.1  
 CIRCUIT No.1 OF 2-11 CIRCUIT

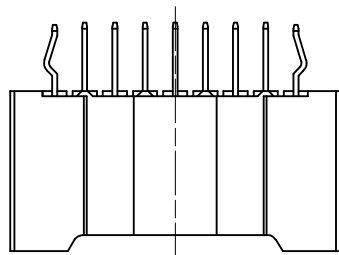
|      |      |      |              |           |
|------|------|------|--------------|-----------|
| 26.8 | 21   | 25.4 | 503159-15**  | 15        |
| 25.3 | 19.5 | 23.9 | 503159-14**  | 14        |
| 23.8 | 18   | 22.4 | 503159-13**  | 13        |
| 22.3 | 16.5 | 20.9 | 503159-12**  | 12        |
| 20.8 | 15   | 19.4 | 503159-11**  | 11        |
| 19.3 | 13.5 | 17.9 | 503159-10**  | 10        |
| 17.8 | 12   | 16.4 | 503159-09**  | 9         |
| 16.3 | 10.5 | 14.9 | 503159-08**  | 8         |
| 14.8 | 9    | 13.4 | 503159-07**  | 7         |
| 13.3 | 7.5  | 11.9 | 503159-06**  | 6         |
| 11.8 | 6    | 10.4 | 503159-05**  | 5         |
| 10.3 | 4.5  | 8.9  | 503159-04**  | 4         |
| 8.8  | 3    | 7.4  | 503159-03**  | 3         |
| 7.3  | 1.5  | 5.9  | 503159-02**  | 2         |
| C    | B    | A    | TRAY PACKAGE | CIRCUIT   |
|      |      |      |              | ORDER No. |

| No. | 部品 PART        | 材料 MATERIAL  |
|-----|----------------|--|
| ①   | ハウジング HOUSING  | ポリアミド (PA) UL94V-0<br>POLYAMIDE UL94V-0<br>色: 注記 5. 参照<br>COLOR: SEE NOTES 5.  |
| ②   | ターミナル TERMINAL | 銅合金 COPPER ALLOY<br>錫めっき (1.0 μm 以上)<br>TIN PLATING OVERALL SURFACES<br>(1.0 MICROMETER MINIMUM)<br>下地: ニッケルめっき (1.0 μm 以上)<br>UNDER PLATE: NICKEL OVERALL<br>(1.0 MICROMETER MINIMUM) |

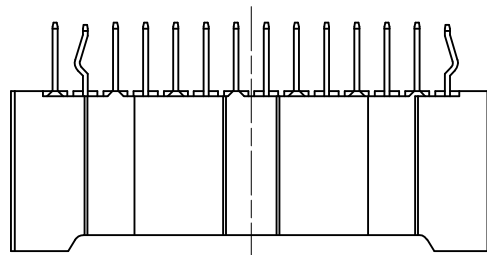
|  |  |  |       |                            |                    |   |                               |
|--|--|--|-------|----------------------------|--------------------|---|-------------------------------|
| REVISED<br>EC NO: J2009-2136<br>DRWNSKUROSE 2009/04/09<br>CHKD:KASAKAWA 2009/04/09<br>APPR:SI CHIKAWA 2009/04/09 | DESCRIPTION<br>GENERAL TOLERANCES (UNLESS SPECIFIED) | 10 UNDER   | ±0.2  | DIMENSION STYLE<br>MM ONLY | SCALE<br>4:1       | DESIGN UNITS<br>METRIC  | THIRD ANGLE PROJECTION        |
|  |  | 10 OVER 30 UNDER                                     | ±0.25 |                            |                    |   |                               |
|  |  | 30 OVER  | ±0.3  |                            |                    |   |                               |
|  |  | ANGULAR ±3 °   |       |                            |                    |   |                               |
|  |  | DRAFT WHERE APPLICABLE MUST REMAIN WITHIN DIMENSIONS |       |                            |                    |   |                               |
| REV  |  |  |       | DRAWN BY<br>SKUROSE        | DATE<br>2008/09/03 | TITLE<br>1.5 W/B CONN. SINGLE DIP<br>ST REC. ASS'Y 2-15CKT<br>WITHOUT BOSS  |                               |
|  |  |  |       | CHECKED BY<br>KASAKAWA     | DATE<br>2008/09/03 | MOLEX INCORPORATED  |                               |
|  |  |  |       | APPROVED BY<br>SICHIKAWA   | DATE<br>2008/09/03 |   | DOCUMENT NO.<br>SD-503159-002 |
|  |  |  |       | MATERIAL NO.               | SEE TABLE          | THIS DRAWING CONTAINS INFORMATION THAT IS PROPRIETARY TO MOLEX INCORPORATED AND SHOULD NOT BE USED WITHOUT WRITTEN PERMISSION |                               |



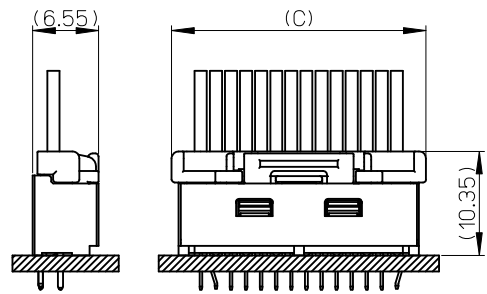
2~5 極形状 (ロック面及び反ロック面)  
 FIGURE OF 2-5 CIRCUIT (LOOK SIDE AND UN-LOCK SIDE)



6~10 極形状 (反ロック面)  
 FIGURE OF 6-10 CIRCUIT (UN-LOCK SIDE)



11~15 極形状 (反ロック面)  
 FIGURE OF 11-15 CIRCUIT (UN-LOCK SIDE)



嵌合図 (SCALE 2:1)  
 MATED CONNECTORS (SCALE 2:1)

NOTES

1. 嵌合相手: 502578シリーズ  
 MATE WITH: 502578 SERIES.
2. 極数/2=偶数に適用  
 APPLY FOR CIRCUIT SIZE/2=EVEN.
3. 端子テール部に錫めっきを使用している為、外観に摺動痕が付く場合があります。  
 THE WOUND OF FRICTION MIGHT ADHERE TO EXTERNALS BECAUSE THE TIN PLATING IS USED FOR THE TAIL.
4. 製品番号  
 MATERIAL No.

503159-\*\*\*  
 極数  
 CIRCUIT SIZE  
 ボス、色  
 BOSS, COLOR

| ボス無し  |   | CIRCUIT | No.  | COLOR     |
|-------|---|---------|------|-----------|
| 02~15 | 1 | 0       | ベージュ | BEIGE     |
|       |   | 1       | 黒    | BLACK     |
|       |   | 2       | 赤    | RED       |
|       |   | 3       | 黄    | YELLOW    |
|       |   | 4       | 青    | BLUE      |
|       |   | 5       | 桃    | PINK      |
|       |   | 6       | 緑    | GREEN     |
|       |   | 7       | 茶    | BROWN     |
|       |   | 8       | 橙    | ORANGE    |
| 9     | 紫 | VIOLET  |      |           |
| 02    | 3 | 4       | 水    | PALE BLUE |

5. 本製品のプラスチック部に黒点・白点等が確認される場合や色合いが異なる場合がありますが、製品性能に影響はありません。  
 THERE IS NO INFLUENCE IN THE PRODUCT PERFORMANCE THOUGH THE BLACK AND WHITE SPOT ETC. MIGHT BE CONFIRMED TO THE PLASTIC PART OF THIS PRODUCT AND THE SHADE MIGHT BE DIFFERENT.
6. ELV及びRoHS 適合品  
 ELV AND RoHS COMPLIANT
7. ボス有形状は“SD-503159-001”を参照願います。  
 REFER TO “SD-503159-001” FOR WITH BOSS.

|  |   |       |                            |   |  |                        |                        |
|--|---|-------|----------------------------|---|--|------------------------|------------------------|
| REVISED<br>EC NO: J2009-2136<br>DRWNSKUROSE 2009/04/09<br>CHKD:KASAKAWA 2009/04/09<br>APPR:SI CHIKAWA 2009/04/09 | GENERAL TOLERANCES (UNLESS SPECIFIED)                                   |       | DIMENSION STYLE<br>MM ONLY |   | SCALE<br>4:1   | DESIGN UNITS<br>METRIC | THIRD ANGLE PROJECTION |
|  | 10 UNDER  | ±0.2  | DRAWN BY<br>SKUROSE        | DATE<br>2008/09/03  | TITLE<br>1.5 W/B CONN. SINGLE DIP<br>ST REC. ASS'Y 2-15CKT<br>WITHOUT BOSS |                        |                        |
|  | 10 OVER 30 UNDER  | ±0.25 | CHECKED BY<br>KASAKAWA     | DATE<br>2008/09/03  | MOLEX INCORPORATED   |                        |                        |
|  | 30 OVER   | ±0.3  | APPROVED BY<br>SICHIKAWA   | DATE<br>2008/09/03  | DOCUMENT NO.<br>SD-503159-002  | SHEET NO.<br>2 OF 2    |                        |
| REV  | ANGULAR ±3 °<br>DRAFT WHERE APPLICABLE<br>MUST REMAIN WITHIN DIMENSIONS |       | MATERIAL NO.<br>SEE TABLE  | THIS DRAWING CONTAINS INFORMATION THAT IS PROPRIETARY TO MOLEX INCORPORATED AND SHOULD NOT BE USED WITHOUT WRITTEN PERMISSION |  |                        |                        |