

PLEASE CHECK WWW.MOLEX.COM FOR LATEST PART INFORMATION

Part Number: [0502267412](#)
Status: **Active**
Description: Ring Tongue Terminal for 10 and 12 AWG, Closed Uninsulated Brazed Barrel, Stud Size 5/16" (M8), Oxygen-Free Copper, Length 28.00mm (1.102")

Documents:

[Drawing \(PDF\)](#) [RoHS Certificate of Compliance \(PDF\)](#)
[Product Specification PS-50224-001 \(PDF\)](#)

General

Product Family	Ring and Spade Terminals
Series	50226
Crimp Quality Equipment	Yes
Mil-Spec	N/A
Product Name	R (Ring)
Type	Ring

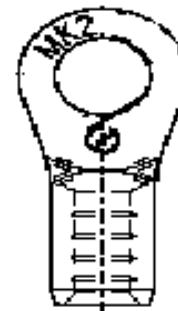
Physical

Barrel Type	Closed - Brazed
Insulation	None
Material - Plating Mating	Tin
Packaging Type	Bag
Plating min: Mating (µin)	40
Plating min: Mating (µm)	1
Plating min: Termination (µin)	40
Plating min: Termination (µm)	1
Stud Size	5/16" (M8)
Termination Interface: Style	Crimp or Compression
Wire Size AWG	10, 12
Wire Size mm ²	2.63 - 6.64

Material Info

Reference - Drawing Numbers

Product Specification	PS-50224-001
Sales Drawing	SD-50226-001



Series

image - Reference only

EU RoHS

ELV and RoHS Compliant
REACH SVHC
 Not Reviewed
Halogen-Free Status
 Not Reviewed

China RoHS



Need more information on product environmental compliance?

Email productcompliance@molex.com
 For a multiple part number RoHS Certificate of Compliance, [click here](#)

Please visit the [Contact Us](#) section for any non-product compliance questions.

Search Parts in this Series

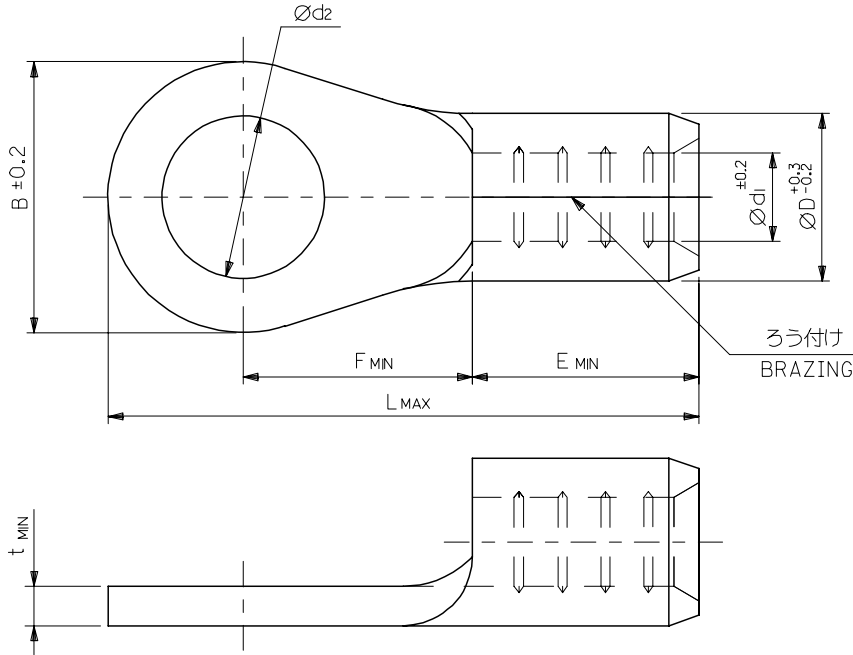
[50226Series](#)

Application Tooling | [FAQ](#)

Tooling specifications and manuals are found by selecting the products below. Crimp Height Specifications are then contained in the Application Tooling Specification document.

Japan

Description	Product #
Hand Crimper For JIS Terminal	0572575000
Air Type Hand Crimper For JIS Terminal	0573439005

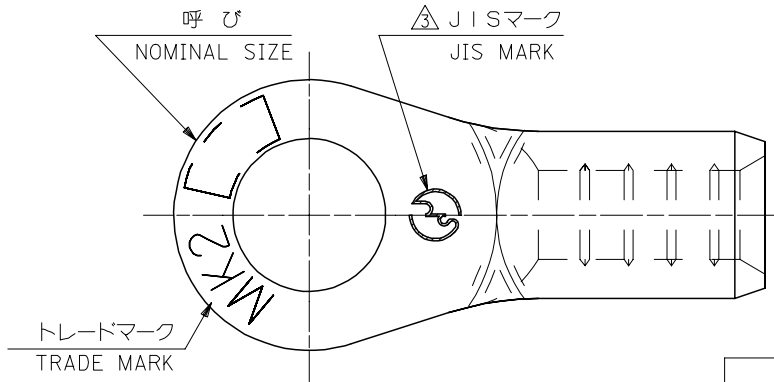


注記 NOTES

- 材質 MATERIAL
 端子：無酸素銅、スズメッキ
 TERMINAL: OXYGEN FREE COPPER, TIN PLATING
 ろう付け部：りん銅ろう
 PART OF BRAZING : COPPER PHOSPHORUS BRAZING FILLER METALS
- 適用電線 APPLICABLE WIRE RANGE

単線 SOLID WIRE	撚線 STRANDED WIRE
1.82 - 2.89 mm	2.63 - 6.64 mm ²

⚠ JIS認定品に刻印。
 DIE STAMPED MARK IS ALLOWED
 FOR JIS FILED PRODUCTS.



JIS	0.9	8.4 ^{+0.4} ₀	28.5	9	6	3.4	5.6	15	5.5	8	50226-7413
JIS		6.4 ^{+0.4} ₀	26	7				12		6	50226-7412
JIS		5.3 ^{+0.2} ₀	20	5				9.5		5	50226-7313
JIS		4.3 ^{+0.2} ₀									5
JIS											50226-7213
JIS											50226-7212
JIS											50226-7113
JIS											50226-7112
⚠	t	Ød2	L	F	E	Ød1	ØD	B	呼び NOMINAL SIZE		MATERIAL NO.

REVISED EC NO: J2007-1745 DRAWN BY DRW:KITO CHKD:KASAHARA APPR:NUKITA	DESCRIPTION 2007/03/07 2007/03/07 2007/03/07	GENERAL TOLERANCES (UNLESS SPECIFIED)		DIMENSION STYLE MM ONLY		SCALE ---	DESIGN UNITS METRIC	THIRD ANGLE PROJECTION		
		10 UNDER	±0.2	DRAWN BY T. KAIHO	DATE 2003/06/09	TITLE RINR TERMINAL				
		10 OVER 30 UNDER	±0.25	CHECKED BY T. ITO	DATE 2003/06/09	APPROVED BY T. YAMAGUCHI				
		30 OVER	±0.3	DATE 2003/06/09		MATERIAL NO.		DOCUMENT NO. SD-50226-001		SHEET NO. 1 OF 1
ANGULAR ±3 °		DRAFT WHERE APPLICABLE MUST REMAIN WITHIN DIMENSIONS		SEE CHART		MOLEX INCORPORATED				
A		A3		THIS DRAWING CONTAINS INFORMATION THAT IS PROPRIETARY TO MOLEX INCORPORATED AND SHOULD NOT BE USED WITHOUT WRITTEN PERMISSION						