

PLEASE CHECK WWW.MOLEX.COM FOR LATEST PART INFORMATION

Part Number: **0476540001**
Status: **Active**
Overview: micro_usb
Description: 0.65mm (.026") Pitch Micro-USB AB Receptacle, Right Angle, Middle Mount, SMT, with Extended Solder Tabs, Lead Free

Documents:

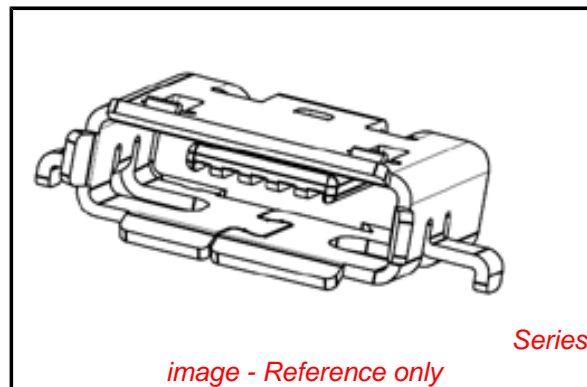
[3D Model](#) [Product Specification PS-47589-001 \(PDF\)](#)
[Drawing \(PDF\)](#) [RoHS Certificate of Compliance \(PDF\)](#)

General

Product Family	I/O Connectors
Series	47654
Application	Wire-to-Board
Comments	Mid Mount Type
Component Type	Receptacle
Overview	<u>micro_usb</u>
Product Name	Micro-USB
Type	AB
Physical	
Boot Color	N/A
Circuits (Loaded)	5
Circuits (maximum)	5
Color - Resin	Black
Gender	Male
Keying to Mating Part	Yes
Lock to Mating Part	Yes
Material - Metal	Copper Alloy
Material - Plating Mating	Gold
Material - Plating Termination	Gold
Material - Resin	High Temperature Thermoplastic
Number of Rows	1
Orientation	Right Angle
PCB Locator	No
PCB Retention	Yes
Packaging Type	Embossed Tape on Reel
Panel Mount	No
Pitch - Mating Interface (in)	0.026 In
Pitch - Mating Interface (mm)	0.65 mm
Pitch - Term. Interface (in)	0.026 In
Pitch - Term. Interface (mm)	0.65 mm
Plating min: Mating (µin)	43
Plating min: Mating (µm)	0.11
Plating min: Termination (µin)	2
Plating min: Termination (µm)	0.05
Polarized to Mating Part	Yes
Polarized to PCB	Yes
Ports	1
Surface Mount Compatible (SMC)	Yes
Temperature Range - Operating	-20°C to +85°C
Termination Interface: Style	Surface Mount
Waterproof / Dustproof	No

Electrical

Current - Maximum per Contact 1.8A, 1A



EU RoHS

**ELV and RoHS
Compliant**
**REACH SVHC
Contains SVHC: No**
**Halogen-Free
Status**

China RoHS



**Need more information on product
environmental compliance?**

Email productcompliance@molex.com
 For a multiple part number RoHS Certificate of Compliance, [click here](#)

Please visit the [Contact Us](#) section for any non-product compliance questions.

Search Parts in this Series

47654Series

Mates With

47516 Micro-USB Plug

Grounding to Panel	Yes
Shield Type	Full Shield
Shielded	Yes
Voltage - Maximum	100V AC (RMS)

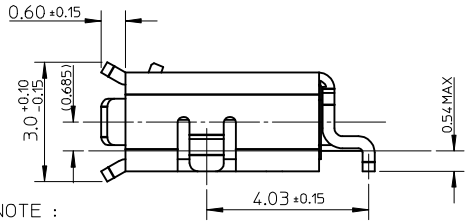
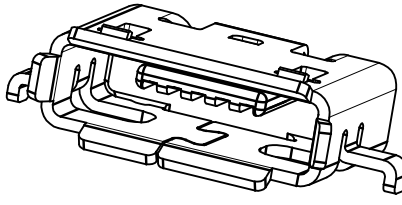
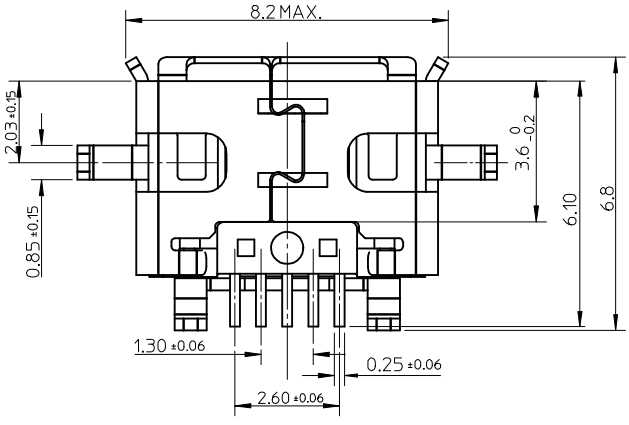
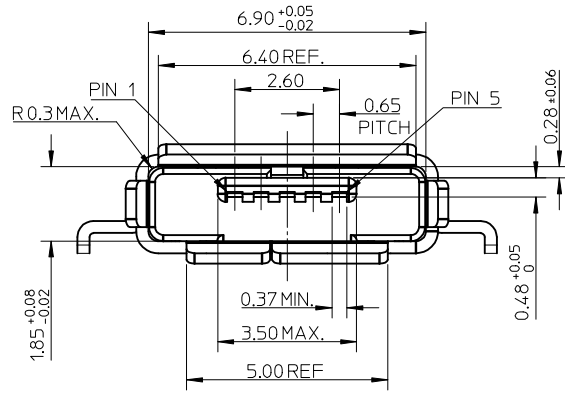
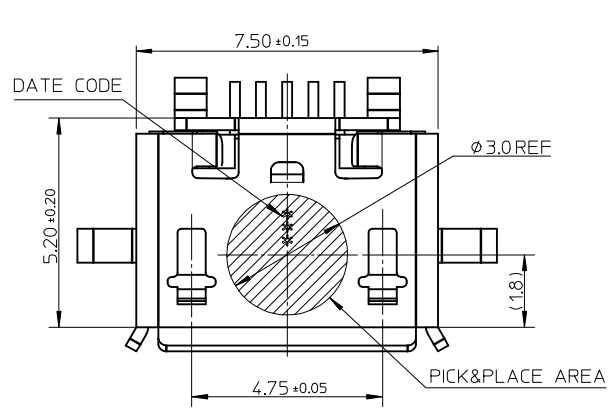
Material Info

Reference - Drawing Numbers

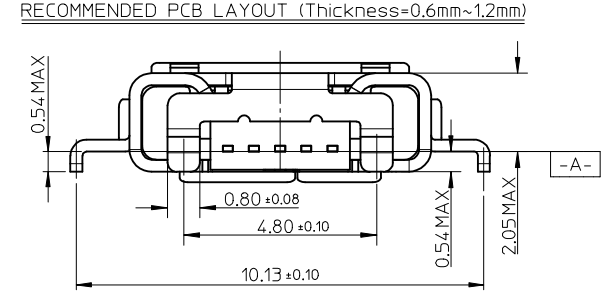
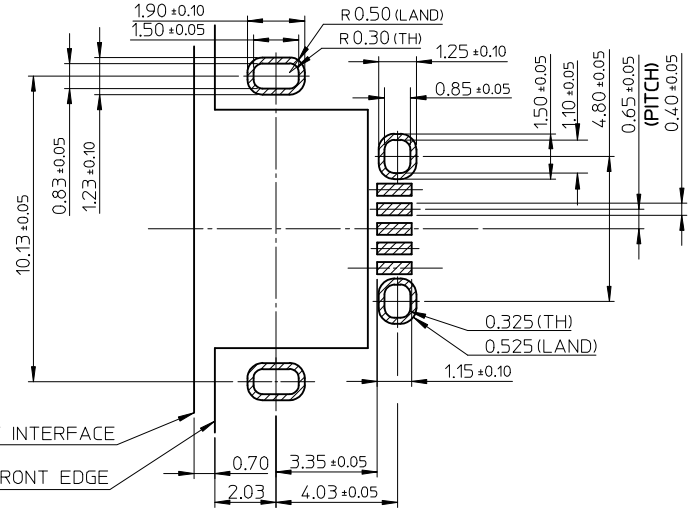
Packaging Specification	PK-47654-001
Product Specification	PS-47589-001
Sales Drawing	SD-47654-001

This document was generated on 05/19/2010

PLEASE CHECK WWW.MOLEX.COM FOR LATEST PART INFORMATION



- NOTE :
- MATERIAL :
 HOUSING : LCP, BLACK, UL94V-0
 TERMINAL : COPPER ALLOY THICKNESS = 0.15 MM
 SHIELD CASE : STAINLESS STEEL THICKNESS = 0.30 MM
 - PLATING :
 TERMINAL: CONTACT AREA : GOLD FLASH (0.11 MICRON MIN.) OVER MINIMUM 0.75 MICRON Pd/Ni.
 SOLDER TAIL AREA : GOLD FLASH (0.05 MICRON MIN.).
 UNDER PLATING : NICKEL 2.0 MICROMN MINIMUM.
 SHIELD : MATTE TIN 1.27 MICRON MINIMUM.
 UNDER PLATING : NICKEL 1.27 MICRON MINIMUM.
 - TAIL COPLANARITY 0.08 MM MAXIMUM.
 - PRODUCT SPEC. : PS-47589-001 ; PACKING SPEC. : PK-47654-001
 - COMPLIANT TO RoHS DIRECTIVE 2002/95/EC AND ELV DIRECTIVE 2000/53/EC.



REVISE EC NO: SH2009-0717 DRWN: XJSONG 2009/05/08 CHKD: XJSONG 2009/05/11 APPR: HWANG 2009/07/23	QUALITY SYMBOLS ▽=0 ◻=0	GENERAL TOLERANCES (UNLESS SPECIFIED)		DIMENSION STYLE MM ONLY		SCALE 1:1	DESIGN UNITS METRIC	THIRD ANGLE PROJECTION		
			mm	INCH	DRAWN BY XJSONG	DATE 2008/03/26	TITLE MICRO USB AB REC. SINK TYPE ASS'Y			
		4 PLACES	± ---	± ---	CHECKED BY JTIAN	DATE 2008/03/26	MOLEX INCORPORATED			
		3 PLACES	± ---	± ---	APPROVED BY HWANG	DATE 2008/03/26				
2 PLACES	± 0.15	± ---	MATERIAL NO. 47654-0001		DOCUMENT NO. SD-47654-001		SHEET NO. 1 OF 1			
1 PLACE	± 0.25	± ---	DRAFT WHERE APPLICABLE MUST REMAIN WITHIN DIMENSIONS							
		ANGULAR ± 3 °		THIS DRAWING CONTAINS INFORMATION THAT IS PROPRIETARY TO MOLEX INCORPORATED AND SHOULD NOT BE USED WITHOUT WRITTEN PERMISSION						