

PLEASE CHECK WWW.MOLEX.COM FOR LATEST PART INFORMATION

Part Number: [0476420011](#)
Status: **Active**
Overview: micro_usb
Description: 0.65mm (.026") Pitch Micro-USB B Receptacle, Mid-Mount, SMT, with Through Hole Solder Tab, Gold (Au) Flash Plating, with Mylar, Lead Free

Documents:

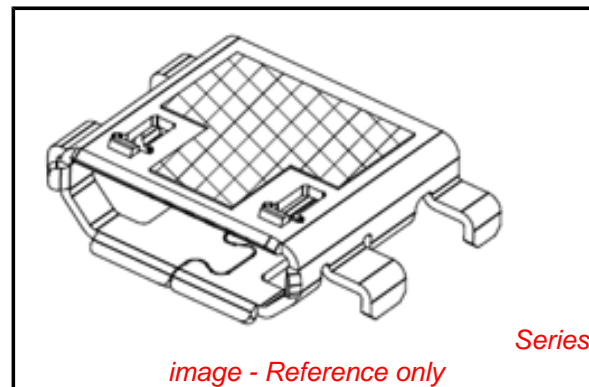
[3D Model](#) [Product Specification PS-47642-001 \(PDF\)](#)
[Drawing \(PDF\)](#) [RoHS Certificate of Compliance \(PDF\)](#)

General

Product Family	I/O Connectors
Series	47642
Application	Wire-to-Board
Comments	Mid Mount Type
Component Type	Receptacle
Overview	<u>micro_usb</u>
Product Name	Micro-USB
Type	B
Physical	
Boot Color	N/A
Circuits (Loaded)	5
Circuits (maximum)	5
Color - Resin	Black
Gender	Male
Keying to Mating Part	Yes
Lock to Mating Part	Yes
Material - Metal	Copper Alloy
Material - Plating Mating	Gold
Material - Plating Termination	Gold
Material - Resin	High Temperature Thermoplastic
Number of Rows	1
Orientation	Right Angle
PCB Locator	No
PCB Retention	Yes
Packaging Type	Embossed Tape on Reel
Panel Mount	No
Pitch - Mating Interface (in)	0.026 In
Pitch - Mating Interface (mm)	0.65 mm
Pitch - Term. Interface (in)	0.026 In
Pitch - Term. Interface (mm)	0.65 mm
Plating min: Mating (µin)	2
Plating min: Mating (µm)	0.05
Plating min: Termination (µin)	2
Plating min: Termination (µm)	0.05
Polarized to Mating Part	Yes
Polarized to PCB	Yes
Ports	1
Surface Mount Compatible (SMC)	Yes
Temperature Range - Operating	-20°C to +85°C
Termination Interface: Style	Surface Mount
Waterproof / Dustproof	No

Electrical

Current - Maximum per Contact 1.8A, 1A



EU RoHS

**ELV and RoHS
Compliant**
**REACH SVHC
Contains SVHC: No**
**Halogen-Free
Status**

China RoHS



**Need more information on product
environmental compliance?**

Email productcompliance@molex.com
 For a multiple part number RoHS Certificate of Compliance, [click here](#)

Please visit the [Contact Us](#) section for any non-product compliance questions.

Search Parts in this Series

[47642Series](#)

Mates With

[68784](#) Micro-USB Cable Plugs

Grounding to Panel	Yes
Shield Type	Full Shield
Shielded	Yes
Voltage - Maximum	100V AC (RMS)

Solder Process Data

Duration at Max. Process Temperature (seconds)	3
Lead-free Process Capability	Reflow Capable (SMT only)
Max. Cycles at Max. Process Temperature	1
Process Temperature max. C	255

Material Info

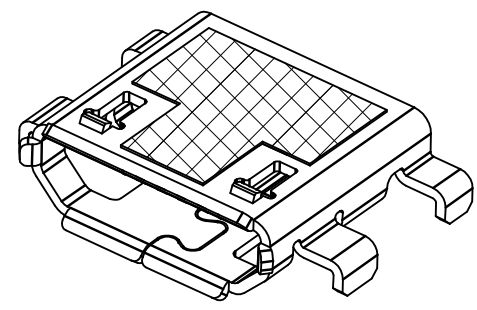
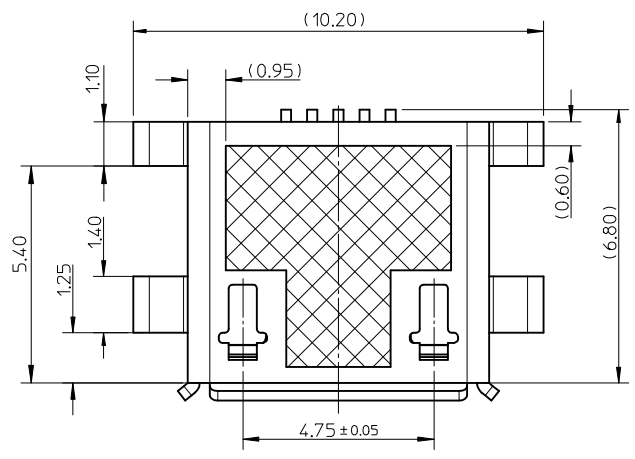
Reference - Drawing Numbers

Packaging Specification	PK-47642-001
Product Specification	PS-47642-001
Sales Drawing	SD-47642-001

This document was generated on 05/19/2010

PLEASE CHECK WWW.MOLEX.COM FOR LATEST PART INFORMATION

F

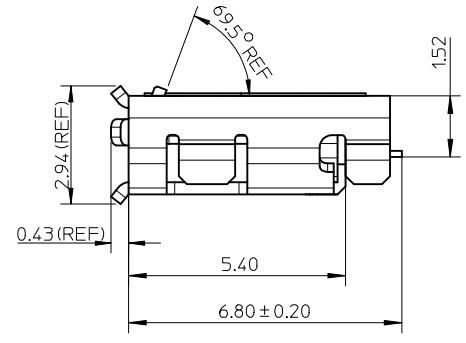
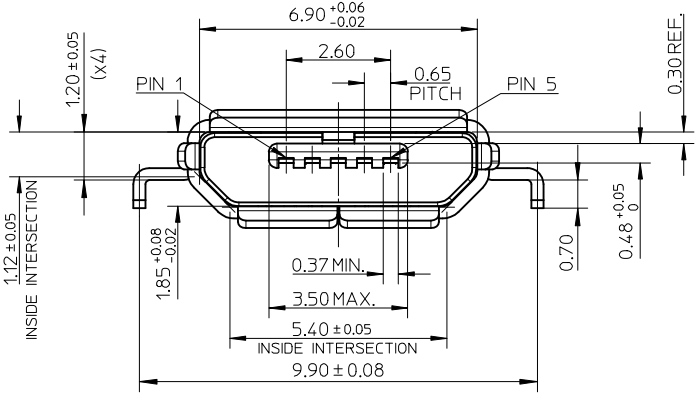


NOTE :

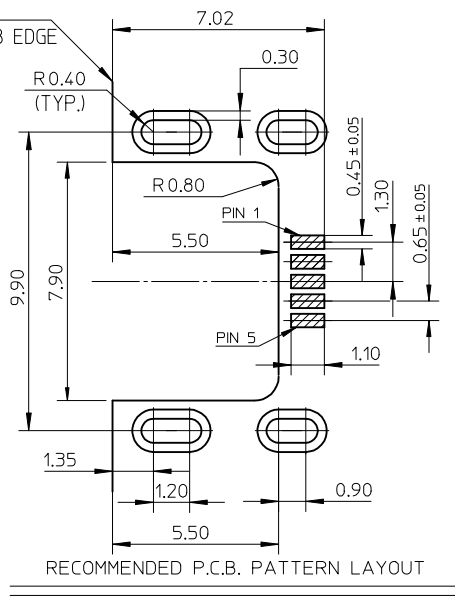
1. MATERIAL :
 HOUSING : LCP, BLACK, UL94V-0
 TERMINAL : COPPER ALLOY THICKNESS = 0.15 MM
 SHIELD CASE : STAINLESS STEEL THICKNESS = 0.30 MM
2. PLATING :
 TERMINAL:
 CONTACT AREA : GOLD FLASH OVER 0.75 MICRON MINIMUM Pb/Ni.
 SOLDER TAIL AREA : GOLD FLASH.
 UNDER PLATING : NICKEL 2.0 MICRON MINIMUM.
 SHIELD :
 MATTE TIN 2.0 MICRON MINIMUM.
 UNDER PLATING : NICKEL 1.27 MICRON MINIMUM.
3. TAIL & NAIL COPLANARITY 0.08 mm MAXIMUM.
4. PRODUCT SPEC.: PS-47642-001, PACKAGE SPEC.: PK-47642-001
5. PRODUCT COMPLIANT TO RoHS DIRECTIVE 2002/95/EC AND ELV DIRECTIVE 2000/53/EC

E

D

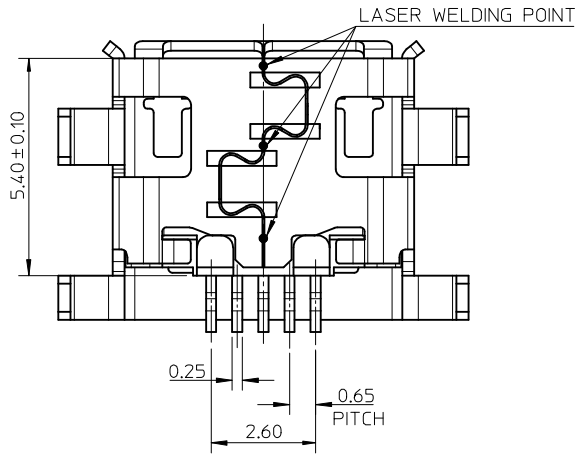


CONNECTOR FRONT
INTERFACE & PCB EDGE



C

B



PART NUMBER	MYLAR
47642-0001	WHITHOUT
47642-0011	WITH

A

NEW RELEASE EC NO: SH2009-0195 DRWNL:SONG 2008/10/07 CHKD:XJSONG 2008/10/08 APPR:HWANG 2008/10/30	QUALITY SYMBOLS ▽=0 ◻=0	GENERAL TOLERANCES (UNLESS SPECIFIED) <table border="1"> <tr> <td></td> <td>mm</td> <td>INCH</td> </tr> <tr> <td>4 PLACES</td> <td>± ---</td> <td>± ---</td> </tr> <tr> <td>3 PLACES</td> <td>± ---</td> <td>± ---</td> </tr> <tr> <td>2 PLACES</td> <td>± 0.25</td> <td>± ---</td> </tr> <tr> <td>1 PLACE</td> <td>± 0.25</td> <td>± ---</td> </tr> <tr> <td colspan="3">ANGULAR ± 3 °</td> </tr> </table>		mm	INCH	4 PLACES	± ---	± ---	3 PLACES	± ---	± ---	2 PLACES	± 0.25	± ---	1 PLACE	± 0.25	± ---	ANGULAR ± 3 °			DIMENSION STYLE MM ONLY	SCALE 8:1	DESIGN UNITS METRIC	THIRD ANGLE PROJECTION
		mm	INCH																					
	4 PLACES	± ---	± ---																					
	3 PLACES	± ---	± ---																					
2 PLACES	± 0.25	± ---																						
1 PLACE	± 0.25	± ---																						
ANGULAR ± 3 °																								
DRAWN BY XJSONG	DATE 2008/01/04	TITLE MICRO USB B REC. MID MOUNT THROUGH HOLE ASS'Y																						
CHECKED BY JTIAN	DATE 2008/01/04	MOLEX INCORPORATED																						
APPROVED BY HWWANG	DATE 2008/01/04	MATERIAL NO. SEE CHART	DOCUMENT NO. SD-47642-001	SHEET NO. 1 OF 1																				