

PLEASE CHECK WWW.MOLEX.COM FOR LATEST PART INFORMATION

Part Number: **0458303023**
Status: **Active**
Description: 1.20mm (.047") by 2.00mm (.079") Pitch HD Mezz™ Plug, 299 Circuits, 9.00mm (.354") Unmated Height, 23 Rows, Tin (Sn)/Lead (Pb) Plating

Documents:

[Drawing \(PDF\)](#) [RoHS Certificate of Compliance \(PDF\)](#)
[Product Specification PS-45802-001 \(PDF\)](#)

Agency Certification

CSA LR19980
 UL E29179

General

Product Family PCB Headers
 Series 45830
 Application Board-to-Board
 Comments 1.20mm (.047") Pitch Pin-to-Pin and 2.00mm (.079") Pitch Row-to-Row
 Product Name HD Mezz™

Physical

Breakaway No
 Circuits (Loaded) 299
 Circuits (maximum) 299
 Circuits Detail 299
 Color - Resin Black
 Durability (mating cycles max) 100
 First Mate / Last Break No
 Flammability 94V-0
 Glow-Wire Compliant No
 Guide to Mating Part No
 Keying to Mating Part None
 Lock to Mating Part Yes
 Material - Metal High Performance Alloy (HPA)
 Material - Plating Mating Gold
 Material - Plating Termination Tin
 Material - Resin High Temperature Thermoplastic
 Number of Rows 23
 Orientation Vertical
 PCB Locator Yes
 PCB Retention Yes
 Packaging Type Tray
 Pitch - Mating Interface (in) 0.047 In
 Pitch - Mating Interface (mm) 1.20 mm
 Pitch - Term. Interface (in) 0.047 In
 Pitch - Term. Interface (mm) 1.20 mm
 Plating min: Mating (µin) 30
 Plating min: Mating (µm) 0.75
 Plating min: Termination (µin) 100
 Plating min: Termination (µm) 2.5
 Polarized to Mating Part Yes
 Polarized to PCB Yes
 Robotic Placement Vacuum Pick-Up Clip
 Shrouded Closed Ends
 Stackable No

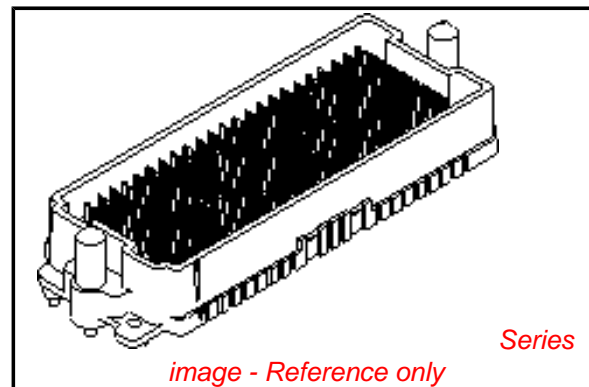


image - Reference only

EU RoHS

Not RoHS Compliant
REACH SVHC
 Not Reviewed
Halogen-Free
Status
Not Reviewed

China RoHS



Need more information on product environmental compliance?

Email productcompliance@molex.com
 For a multiple part number RoHS Certificate of Compliance, [click here](#)

Please visit the [Contact Us](#) section for any non-product compliance questions.

Search Parts in this Series

45830Series

Mates With

45802 HD Mezz™ Receptacle

| | |
|--------------------------------|-----------------|
| Surface Mount Compatible (SMC) | Yes |
| Temperature Range - Operating | -55°C to +105°C |
| Termination Interface: Style | Surface Mount |

Electrical

| | |
|-------------------------------|---------|
| Current - Maximum per Contact | 2A |
| Voltage - Maximum | 250V AC |

Solder Process Data

| | |
|--|---------------------------|
| Duration at Max. Process Temperature (seconds) | 20 |
| Lead-free Process Capability | Reflow Capable (SMT only) |
| Max. Cycles at Max. Process Temperature | 2 |
| Process Temperature max. C | 260 |
| Replacement RoHS Compliant Part Number | 0458303223 |

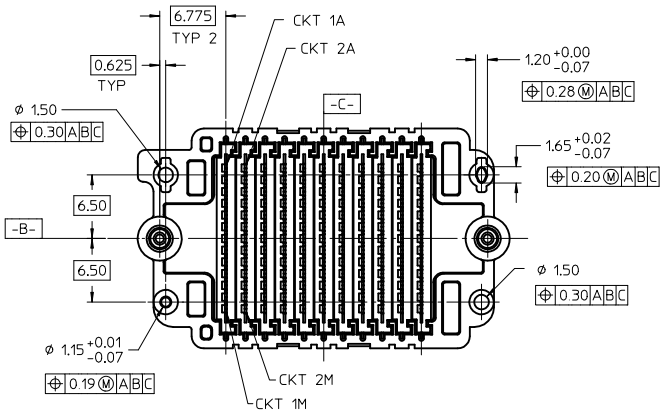
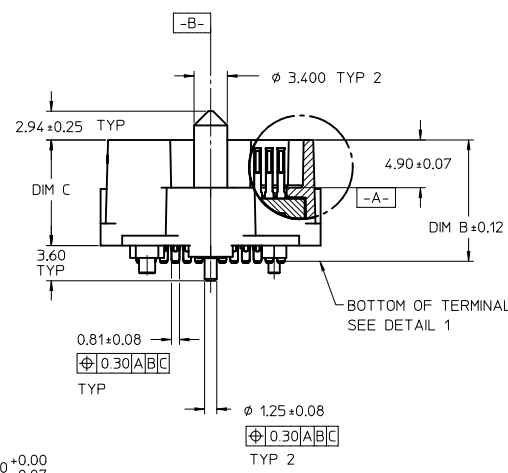
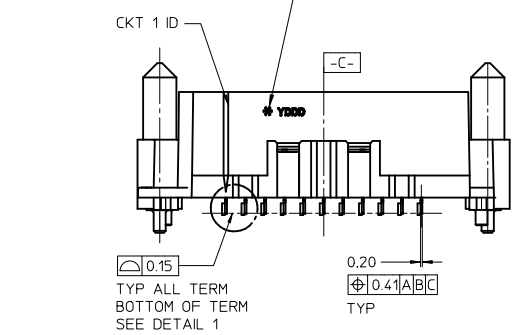
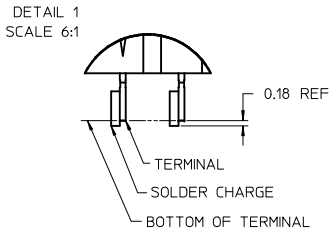
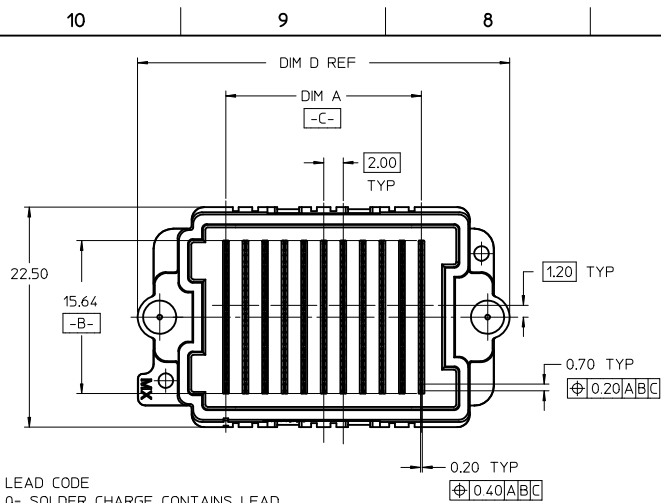
Material Info

Reference - Drawing Numbers

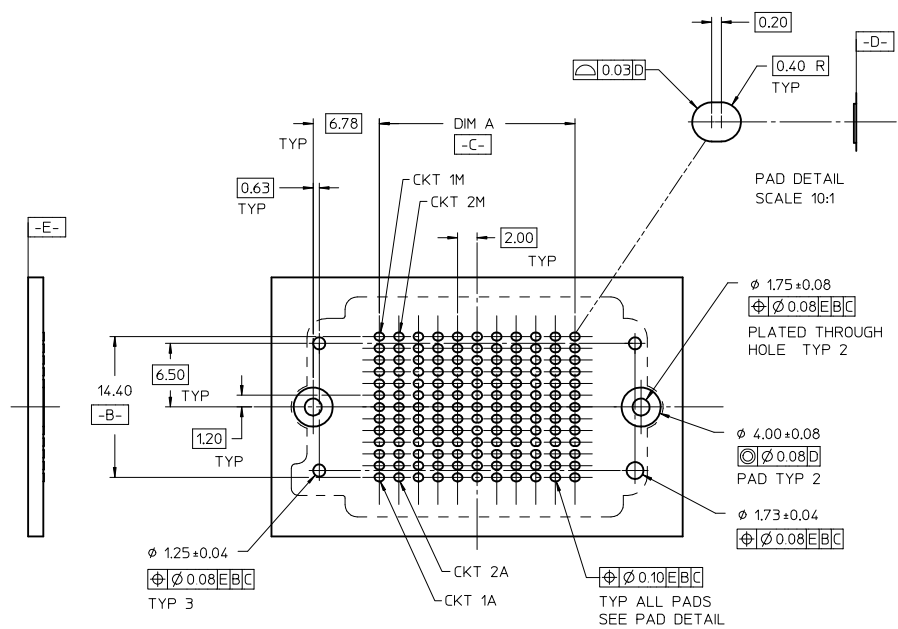
| | |
|-----------------------|--------------|
| Product Specification | PS-45802-001 |
| Sales Drawing | SD-45830-001 |

This document was generated on 03/25/2010

PLEASE CHECK WWW.MOLEX.COM FOR LATEST PART INFORMATION



- NOTES:
- HOUSING MATERIAL: LCP, GLASS FILLED, UL94V-0, BLACK
CONTACT MATERIAL: HIGH PERFORMANCE ALLOY
GUIDE PIN MATERIAL: STAINLESS STEEL
SOLDER CHARGE MATERIAL: TIN OR TIN/LEAD SEE CHART
 - CONTACT FINISH: SELECT GOLD: 30 MI MIN IN CONTACT AREA
SELECT TIN: 100 MI MIN IN TAIL AREA BOTH OVER NICKEL
 - PRODUCT SPECIFICATION: PS-45802-001
 - COSMETIC SPECIFICATION: PS-45499-002 CLASS B
 - PACKAGING SPECIFICATION: PK-45830-001
 - C- IS THE CENTERLINE OF THE 2 END SLOTS. END SLOT CENTERLINES ARE ESTABLISHED USING 2 MEASUREMENTS FOR EACH SLOT TAKEN 7.28 EITHER SIDE -B-



RECOMMENDED PCB LAYOUT: COMPONENT SIDE
PCB THICKNESS: NA

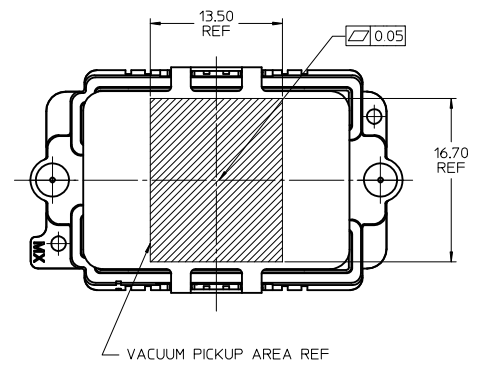
| | |
|---------------------|-------------|
| REV PER PART | DESCRIPTION |
| EC NO: UCP2008-0213 | |
| DRWN:KSAMIEC | |
| CHKD: JCOMERCI | |
| APPR: JCOMERCI | |
| 2007/10/30 | |
| 2007/10/30 | |
| 2007/10/30 | |

| GENERAL TOLERANCES (UNLESS SPECIFIED) | |
|--|--------------|
| | mm INCH |
| 4 PLACES | ± --- ± --- |
| 3 PLACES | ± 0.05 ± --- |
| 2 PLACES | ± 0.15 ± --- |
| 1 PLACE | ± 0.3 ± --- |
| ANGULAR ± 1/2° | |
| DRAFT WHERE APPLICABLE MUST REMAIN WITHIN DIMENSIONS | |

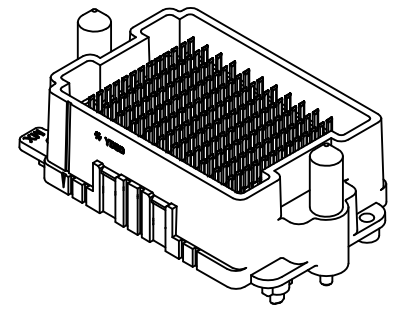
| DIMENSION STYLE | |
|-----------------|-----------|
| MM ONLY | |
| DRAWN BY | DATE |
| PELOZA | 05/02/04 |
| CHECKED BY | DATE |
| PELOZA | 05/02/07 |
| APPROVED BY | DATE |
| COMERCI | 05/02/07 |
| MATERIAL NO. | SEE CHART |

| | | | | |
|----------------------|-----|--------------|--------------------|------------------------|
| SCALE | 2:1 | DESIGN UNITS | METRIC | THIRD ANGLE PROJECTION |
| TITLE | | | | |
| HDMEZZ PLUG ASSEMBLY | | | | |
| molex | | | MOLEX INCORPORATED | |
| DOCUMENT NO. | | | SD-45830-001 | SHEET NO. |
| | | | | 1 OF 2 |

| | | | | | | | | | | | | | |
|--|---------------|-------|------------|-------------|-------------|-------------|-------------|-------------|-------------|-------------|-------------|------------|------------|
| F TIN / LEAD PARTS LEAD CODE = "0" | 10 | 9 | 8 | 7 | 6 | 5 | 4 | 3 | 2 | 1 | | | |
| | STACK HEIGHT: | 8mm | 9mm | 10mm | 11mm | 12mm | 13mm | 14mm | 15mm | 17mm | 18mm | | |
| | DIM B | 10.41 | 11.41 | 12.41 | 13.41 | 14.41 | 15.41 | 16.41 | 17.41 | 19.41 | 20.41 | | |
| | DIM C | 8.80 | 9.80 | 10.80 | 11.80 | 12.80 | 13.80 | 14.80 | 15.80 | 17.80 | 18.80 | | |
| | ROWS | DIM A | DIM D | MATERIAL NO | MATERIAL NO | MATERIAL NO | MATERIAL NO | MATERIAL NO | MATERIAL NO | MATERIAL NO | MATERIAL NO | | |
| | 7 | 12.00 | 30.06 | 45830-0007 | 45830-3007 | 45830-2007 | 45830-8007 | 45830-4007 | 45830-9007 | 45830-6007 | 45830-7007 | 45830-5007 | 45830-1007 |
| | 9 | 16.00 | 34.06 | 45830-0009 | 45830-3009 | 45830-2009 | 45830-8009 | 45830-4009 | 45830-9009 | 45830-6009 | 45830-7009 | 45830-5009 | 45830-1009 |
| | 11 | 20.00 | 38.06 | 45830-0011 | 45830-3011 | 45830-2011 | 45830-8011 | 45830-4011 | 45830-9011 | 45830-6011 | 45830-7011 | 45830-5011 | 45830-1111 |
| | 13 | 24.00 | 42.06 | 45830-0013 | 45830-3013 | 45830-2013 | 45830-8013 | 45830-4013 | 45830-9013 | 45830-6013 | 45830-7013 | 45830-5013 | 45830-1013 |
| | 15 | 28.00 | 46.06 | 45830-0015 | 45830-3015 | 45830-2015 | 45830-8015 | 45830-4015 | 45830-9015 | 45830-6015 | 45830-7015 | 45830-5015 | 45830-1015 |
| | 17 | 32.00 | 50.06 | 45830-0017 | 45830-3017 | 45830-2017 | 45830-8017 | 45830-4017 | 45830-9017 | 45830-6017 | 45830-7017 | 45830-5017 | 45830-1017 |
| | 19 | 36.00 | 54.06 | 45830-0019 | 45830-3019 | 45830-2019 | 45830-8019 | 45830-4019 | 45830-9019 | 45830-6019 | 45830-7019 | 45830-5019 | 45830-1019 |
| | 21 | 40.00 | 58.06 | 45830-0021 | 45830-3021 | 45830-2021 | 45830-8021 | 45830-4021 | 45830-9021 | 45830-6021 | 45830-7021 | 45830-5021 | 45830-1021 |
| 23 | 44.00 | 62.06 | 45830-0023 | 45830-3023 | 45830-2023 | 45830-8023 | 45830-4023 | 45830-9023 | 45830-6023 | 45830-7023 | 45830-5023 | 45830-1023 | |
| 25 | 48.00 | 66.06 | 45830-0025 | 45830-3025 | 45830-2025 | 45830-8025 | 45830-4025 | 45830-9025 | 45830-6025 | 45830-7025 | 45830-5025 | 45830-1025 | |
| 27 | 52.00 | 70.06 | 45830-0027 | 45830-3027 | 45830-2027 | 45830-8027 | 45830-4027 | 45830-9027 | 45830-6027 | 45830-7027 | 45830-5027 | 45830-1027 | |



| | | | | | | | | | | | | | |
|-----------------------------------|---------------|-------|------------|-------------|-------------|-------------|-------------|-------------|-------------|-------------|-------------|------------|------------|
| D TIN PARTS LEAD CODE = "2" | 10 | 9 | 8 | 7 | 6 | 5 | 4 | 3 | 2 | 1 | | | |
| | STACK HEIGHT: | 8mm | 9mm | 10mm | 11mm | 12mm | 13mm | 14mm | 15mm | 17mm | 18mm | | |
| | DIM B | 10.41 | 11.41 | 12.41 | 13.41 | 14.41 | 15.41 | 16.41 | 17.41 | 19.41 | 20.41 | | |
| | DIM C | 8.80 | 9.80 | 10.80 | 11.80 | 12.80 | 13.80 | 14.80 | 15.80 | 17.80 | 18.80 | | |
| | ROWS | DIM A | DIM D | MATERIAL NO | MATERIAL NO | MATERIAL NO | MATERIAL NO | MATERIAL NO | MATERIAL NO | MATERIAL NO | MATERIAL NO | | |
| | 7 | 12.00 | 30.06 | 45830-0207 | 45830-3207 | 45830-2207 | 45830-8207 | 45830-4207 | 45830-9207 | 45830-6207 | 45830-7207 | 45830-5207 | 45830-1207 |
| | 9 | 16.00 | 34.06 | 45830-0209 | 45830-3209 | 45830-2209 | 45830-8209 | 45830-4209 | 45830-9209 | 45830-6209 | 45830-7209 | 45830-5209 | 45830-1209 |
| | 11 | 20.00 | 38.06 | 45830-0211 | 45830-3211 | 45830-2211 | 45830-8211 | 45830-4211 | 45830-9211 | 45830-6211 | 45830-7211 | 45830-5211 | 45830-1211 |
| | 13 | 24.00 | 42.06 | 45830-0213 | 45830-3213 | 45830-2213 | 45830-8213 | 45830-4213 | 45830-9213 | 45830-6213 | 45830-7213 | 45830-5213 | 45830-1213 |
| | 15 | 28.00 | 46.06 | 45830-0215 | 45830-3215 | 45830-2215 | 45830-8215 | 45830-4215 | 45830-9215 | 45830-6215 | 45830-7215 | 45830-5215 | 45830-1215 |
| | 17 | 32.00 | 50.06 | 45830-0217 | 45830-3217 | 45830-2217 | 45830-8217 | 45830-4217 | 45830-9217 | 45830-6217 | 45830-7217 | 45830-5217 | 45830-1217 |
| | 19 | 36.00 | 54.06 | 45830-0219 | 45830-3219 | 45830-2219 | 45830-8219 | 45830-4219 | 45830-9219 | 45830-6219 | 45830-7219 | 45830-5219 | 45830-1219 |
| | 21 | 40.00 | 58.06 | 45830-0221 | 45830-3221 | 45830-2221 | 45830-8221 | 45830-4221 | 45830-9221 | 45830-6221 | 45830-7221 | 45830-5221 | 45830-1221 |
| 23 | 44.00 | 62.06 | 45830-0223 | 45830-3223 | 45830-2223 | 45830-8223 | 45830-4223 | 45830-9223 | 45830-6223 | 45830-7223 | 45830-5223 | 45830-1223 | |
| 25 | 48.00 | 66.06 | 45830-0225 | 45830-3225 | 45830-2225 | 45830-8225 | 45830-4225 | 45830-9225 | 45830-6225 | 45830-7225 | 45830-5225 | 45830-1225 | |
| 27 | 52.00 | 70.06 | 45830-0227 | 45830-3227 | 45830-2227 | 45830-8227 | 45830-4227 | 45830-9227 | 45830-6227 | 45830-7227 | 45830-5227 | 45830-1227 | |



| | | | | | | | | | |
|---|-------------|---------------------------------------|---|----------------------------|------------------|-------------------------------|------------------------|------------------------|--|
| SEE SHEET 1 EC NO: UCP2008-0213 DRAWN: KSAMIEC 2007/10/30 CHKD: 2007/10/30 APPR: JCOMERC I REV | DESCRIPTION | GENERAL TOLERANCES (UNLESS SPECIFIED) | | DIMENSION STYLE MM ONLY | | SCALE 2:1 | DESIGN UNITS METRIC | THIRD ANGLE PROJECTION | |
| | | mm | INCH | DRAWN BY PELOZA | DATE 05/02/04 | TITLE HDMEZZ PLUG ASSEMBLY | | | |
| | | 4 PLACES ± --- | ± --- | CHECKED BY PELOZA | DATE 05/02/07 | MATERIAL NO. | | | |
| | | 3 PLACES ± 0.05 | ± --- | APPROVED BY COMERC I | DATE 05/02/07 | DOCUMENT NO. SD-45830-001 | | | |
| | | 2 PLACES ± 0.15 | ± --- | SEE CHART | | SHEET NO. 2 OF 2 | | | |
| DRAFT WHERE APPLICABLE MUST REMAIN WITHIN DIMENSIONS | | SIZE B | THIS DRAWING CONTAINS INFORMATION THAT IS PROPRIETARY TO MOLEX INCORPORATED AND SHOULD NOT BE USED WITHOUT WRITTEN PERMISSION | | | | | | |