

1000 BASE -T MAGNETICS MODULES

P/N: 24HJT1041A DATA SHEET

Feature



- Designed for long haul gigabit Ethernet 1000 BASE-T, full duplex applications.
- Supports 4 pairs of category 5 UTP cable.
- Cable interface for isolation and low common mode emissions.
- Compliant with IEEE 802.3ab standard for 1000 BASE-T.
- Insulation Resistance: 10,000 M•
- Operating temperature range : 0°C to +70°C.
- Storage temperature range: -25°C to +125°C.

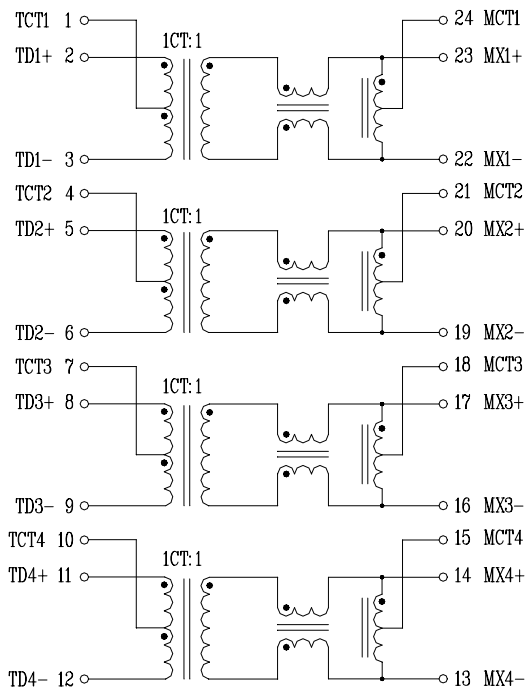
Electrical Specifications @ 25°C

Part Number	Turns Ratio (±5%)		OCL (uH Min) @ 100KHz/0.1Vrms with 8mA/DC Bias	CW/W (pF Max)	L.L (uH Max)	Voltage Isolation (Vrms)
	TX	RX				
24HJT1041A	1CT:1	1CT:1	350	28	0.5	1500

Continue

Part Number	Insertion Loss (dB Max.)	Return Loss (dB Min @ 100 •)					Cross talk Attenuation (dB Min)			Differential to Common Mode Rejection (dB Min)		
		1-100MHz	1-30MHz	40MHz	50MHz	60-80MHz	100MHz	30MHz	60MHz	100MHz	30MHz	60MHz
24HJT1041A	-1.0	-18	-14.4	-13.1	-12	-10	-45	-40	-35	-43	-37	-33

Schematic



Mechanical

