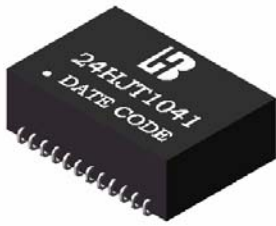


1000 BASE -T MAGNETICS MODULES

P/N: 24HJT1041 DATA SHEET

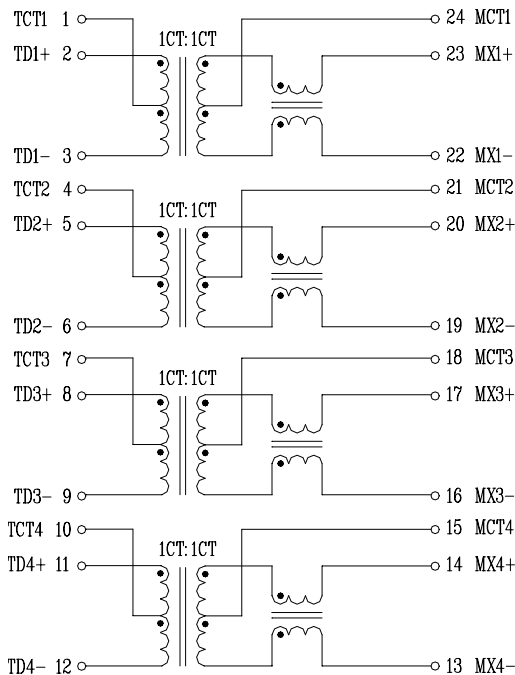
Feature



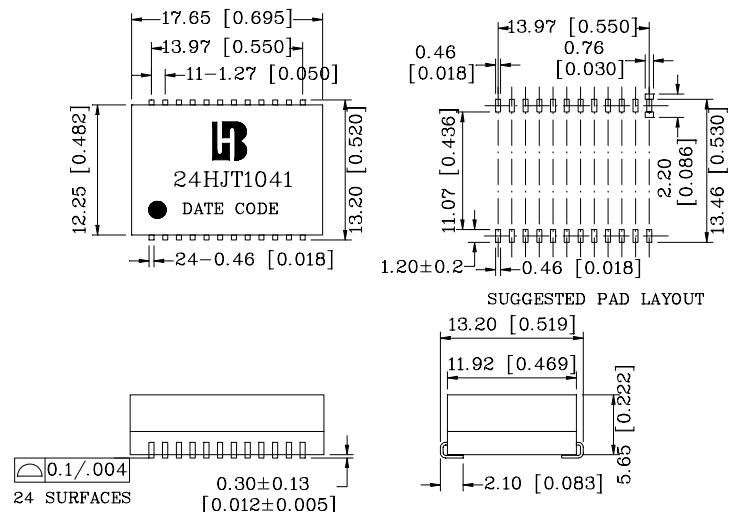
- Designed for long haul gigabit Ethernet 1000 BASE-T, full duplex applications.
- Supports 4 pairs of category 5 UTP cable.
- Cable interface for isolation and low common mode emissions.
- Compliant with IEEE 802.3ab standard for 1000 BASE-T.
- Insulation Resistance: 10,000 M .
- Operating temperature range: 0°C to +70°C.
- Storage temperature range: -25°C to +125°C.

Electrical Specifications @ 25°C												
Part Number	Turns Ratio (±5%)		OCL (uH Min) @ 100KHz/0.1Vrms with 8mA/DC Bias				C <sub>ww</sub> (pF Max)	LL (uH Max)			HI-POT (Vrms)	
	TX	RX										
24HJT1041	1CT:1CT	1CT:1CT	350				28	0.5			1500	
Continue												
Part Number	Insertion Loss (dB Max.)	Return Loss (dB Min @ 100 °)					Cross talk Attenuation (dB Min)			DCMR (dB Min)		
		1-100MHz	1-30MHz	40MHz	50MHz	60-80MHz	100MHz	30MHz	60MHz	100MHz	30MHz	60MHz
24HJT1041	-1.0	-18	-14.4	-13.1	-12	-10	-45	-40	-35	-43	-37	-33

Schematic



Mechanical



Units: mm [Inches] Tolerance: xx.x0±0.25 [0.010]  
0.xx±0.05 [0.002]