

PLEASE CHECK WWW.MOLEX.COM FOR LATEST PART INFORMATION

Part Number: [0022280033](#)
Status: **Active**
Description: 2.54mm (.100") Pitch KK® Header, Breakaway, Vertical, with Friction Lock, 3 Circuits, Tin (Sn) Plating. with Kinked PC Tails

Documents:

| | |
|---|--|
| 3D Model | Product Specification PS-10-07 (PDF) |
| Packaging Specification (PDF) | RoHS Certificate of Compliance (PDF) |
| Drawing (PDF) | |

Agency Certification

| | |
|-----|---------|
| CSA | LR19980 |
| UL | E29179 |

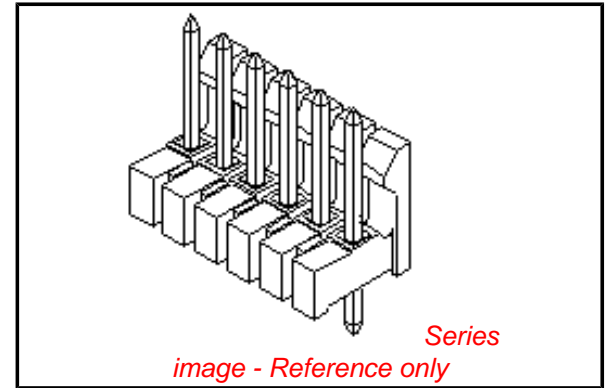
General

| | |
|----------------|-----------------------|
| Product Family | PCB Headers |
| Series | 42227 |
| Application | Wire-to-Board |
| Product Name | KK® |

Physical

| | |
|--------------------------------|--------------|
| Breakaway | Yes |
| Circuits (Loaded) | 3 |
| Circuits (maximum) | 3 |
| Color - Resin | Black |
| Durability (mating cycles max) | 25 |
| Flammability | 94V-0 |
| Glow-Wire Compliant | No |
| Lock to Mating Part | Yes |
| Material - Metal | Brass |
| Material - Plating Mating | Tin |
| Material - Plating Termination | Tin |
| Material - Resin | Nylon |
| Number of Rows | 1 |
| Orientation | Vertical |
| PC Tail Length (in) | 0.120 In |
| PC Tail Length (mm) | 3.05 mm |
| PCB Locator | No |
| PCB Retention | Yes |
| PCB Thickness Recommended (in) | 0.062 In |
| PCB Thickness Recommended (mm) | 1.60 mm |
| Packaging Type | Bag |
| Pitch - Mating Interface (in) | 0.100 In |
| Pitch - Mating Interface (mm) | 2.54 mm |
| Plating min: Mating (µin) | 100 |
| Plating min: Mating (µm) | 2.5 |
| Plating min: Termination (µin) | 100 |
| Plating min: Termination (µm) | 2.5 |
| Polarized to Mating Part | No |
| Polarized to PCB | No |
| Shrouded | No |
| Stackable | No |
| Temperature Range - Operating | 0°C to +75°C |
| Termination Interface: Style | Through Hole |

Electrical



EU RoHS

ELV and RoHS Compliant
REACH SVHC
 Not Reviewed
Halogen-Free Status
 Not Reviewed

China RoHS



Need more information on product environmental compliance?

Email productcompliance@molex.com
 For a multiple part number RoHS Certificate of Compliance, [click here](#)

Please visit the [Contact Us](#) section for any non-product compliance questions.

Search Parts in this Series

[42227Series](#)

Mates With

[2695](#) , [6471](#) , [7880](#) , [4455](#) , [7720](#)

| | |
|-------------------------------|------|
| Current - Maximum per Contact | 4A |
| Voltage - Maximum | 250V |

Solder Process Data

| | |
|--|------------------------|
| Duration at Max. Process Temperature (seconds) | 5 |
| Lead-free Process Capability | Wave Capable (TH only) |
| Max. Cycles at Max. Process Temperature | 1 |
| Process Temperature max. C | 235 |

Material Info

| | |
|-----------------|------------|
| Old Part Number | 42227-0108 |
|-----------------|------------|

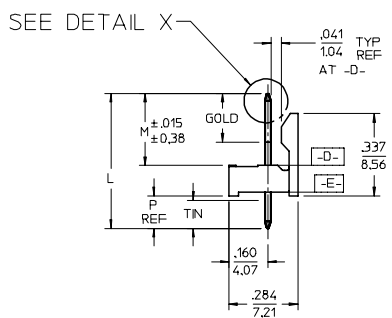
Reference - Drawing Numbers

| | |
|-----------------------|--------------|
| Product Specification | PS-10-07 |
| Sales Drawing | SD-42227-001 |

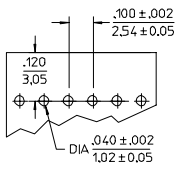
This document was generated on 04/12/2010

PLEASE CHECK WWW.MOLEX.COM FOR LATEST PART INFORMATION

| CKT | DM A | DM B |
|-----|-------------|-------------|
| 2 | .100/2.54 | .200/5.08 |
| 3 | .200/5.08 | .300/7.62 |
| 4 | .300/7.62 | .400/10.16 |
| 5 | .400/10.16 | .500/12.70 |
| 6 | .500/12.70 | .600/15.24 |
| 7 | .600/15.24 | .700/17.78 |
| 8 | .700/17.78 | .800/20.32 |
| 9 | .800/20.32 | .900/22.86 |
| 10 | .900/22.86 | 1.000/25.40 |
| 11 | 1.000/25.40 | 1.100/27.94 |
| 12 | 1.100/27.94 | 1.200/30.48 |
| 13 | 1.200/30.48 | 1.300/33.02 |
| 14 | 1.300/33.02 | 1.400/35.56 |
| 15 | 1.400/35.56 | 1.500/38.10 |
| 16 | 1.500/38.10 | 1.600/40.64 |
| 17 | 1.600/40.64 | 1.700/43.18 |
| 18 | 1.700/43.18 | 1.800/45.72 |
| 19 | 1.800/45.72 | 1.900/48.26 |
| 20 | 1.900/48.26 | 2.000/50.80 |
| 21 | 2.000/50.80 | 2.100/53.34 |
| 22 | 2.100/53.34 | 2.200/55.88 |
| 23 | 2.200/55.88 | 2.300/58.42 |
| 24 | 2.300/58.42 | 2.400/60.96 |
| 25 | 2.400/60.96 | 2.500/63.50 |
| 26 | 2.500/63.50 | 2.600/66.04 |
| 27 | 2.600/66.04 | 2.700/68.58 |
| 28 | 2.700/68.58 | 2.800/71.12 |
| 29 | 2.800/71.12 | 2.900/73.66 |
| 30 | 2.900/73.66 | 3.000/76.20 |
| 31 | 3.000/76.20 | 3.100/78.74 |
| 32 | 3.100/78.74 | 3.200/81.28 |
| 33 | 3.200/81.28 | 3.300/83.82 |
| 34 | 3.300/83.82 | 3.400/86.36 |
| 35 | 3.400/86.36 | 3.500/88.90 |
| 36 | 3.500/88.90 | 3.600/91.44 |



- NOTES:
- MATERIAL: GLASS FILLED NYLON, 94V-0, COLOR: BLACK
 - FINISH:
 - (154) *OVERALL TIN: .000100/0.00254 MIN, OVER .000050/0.00127 MIN NICKEL.
 - (208) SELECT GOLD: .000015/0.00038 MIN, *SELECT TIN: .000100/0.00254 MIN, OVERALL NICKEL UNDERPLATE: .000050/0.00127 MIN.
 - (228) SELECT GOLD: .000030/0.00076 MIN, *SELECT TIN: .000100/0.00254 MIN, OVERALL NICKEL UNDERPLATE: .000050/0.00127 MIN.
 - *THE PRIMARY SHIPPING CARTON WILL BE LABELED "COMPLIANT TO RoHS DIRECTIVE 2002/95/EC AND ELV ANNEX II OF DIRECTIVE 2000/53/EC". CARTONS WITHOUT THIS LABEL MAY CONTAIN PRODUCT WITH TIN-LEAD PLATING
 - PRODUCT SPECIFICATION PS 10-07.
 - PACKAGING INFORMATION: SEE TABLES
 - KINK PIN SPECIFICATION: SEE SMES-42003
 - HEADERS ARE NOT STACKABLE ON .100/2.54 CENTERS.
 - SOLDERABILITY PER SMES-152.
 - PIN PUSH OUT FORCE: 3 LBS. MIN.



RECOMMENDED PC BOARD LAYOUT

| | | | | | | | | |
|---|--------------------------------------|--|-----------------------|---------------------------------|---|---|----------------------|------------------------|
| ADD DETAIL VIEWS EC NO: UCP2005-0488 DRW: JLOWE 2005/08/04 CHK: ADERR 2005/08/04 APPR: FSWJTH 2005/08/05 K3 | QUALITY SYMBOLS ▽=0 ▽=0 | GENERAL TOLERANCES (UNLESS SPECIFIED) | | DIMENSION STYLE IN/MM | | SCALE 2:1 | DESIGN UNITS INCH | THIRD ANGLE PROJECTION |
| | | 4 PLACES ± --- ± --- | 3 PLACES ± --- ± .010 | DRAWN BY JSCHAFFER | DATE 2004/03/18 | TITLE .100 FRICTION LOCK BREAKAWAY HEADER ASSY | | |
| | | 2 PLACES ± 0.25 ± .014 | 1 PLACE ± 0.36 ± --- | CHECKED BY KSAMIEC | DATE 2004/03/18 | MOLEX INCORPORATED | | |
| | | ANGULAR ±1/2° | | APPROVED BY MARGULIS | DATE 2004/03/18 | DOCUMENT NO. SD-42227-001 | | |
| DRAFT WHERE APPLICABLE MUST REMAIN WITHIN DIMENSIONS | | MATERIAL NO. SEE CHART | SHEET NO. 1 OF 4 | | THIS DRAWING CONTAINS INFORMATION THAT IS PROPRIETARY TO MOLEX INCORPORATED AND SHOULD NOT BE USED WITHOUT WRITTEN PERMISSION | | | |

| A-42227-0002/0036 | | | | | |
|--------------------|-----------------|-----------------|------|-----------------|--------------|
| HEADER NUMBER: | | 41411 | | | |
| PIN NUMBER: | | 42663-AXA154 | | | |
| PIN LENGTH: L | | .540/13.72 | | | |
| MATING LENGTH: M | | .295/7.49 | | | |
| GOLD POINT: G | | N/A | | | |
| PC TAIL LENGTH: P | | .120/3.05 | | | |
| TIN: T | | OVERALL | | | |
| CKTS: | | 2-36 | | | |
| KINKS: | | NO | | | |
| REMOVED BACKWALLS: | | NO | | | |
| VOIDED CKTS: | | NONE | | | |
| PACKAGING: | | BULK 40873-0056 | | | |
| CKTS | MATERIAL NUMBER | ENG NUMBER | CKTS | MATERIAL NUMBER | ENG NUMBER |
| 02 | 22-28-0020 | A-42227-0002 | 20 | 22-28-0200 | A-42227-0020 |
| 03 | 22-28-0030 | A-42227-0003 | 21 | 22-28-0210 | A-42227-0021 |
| 04 | 22-28-0040 | A-42227-0004 | 22 | 22-28-0220 | A-42227-0022 |
| 05 | 22-28-0050 | A-42227-0005 | 23 | 22-28-0230 | A-42227-0023 |
| 06 | 22-28-0060 | A-42227-0006 | 24 | 22-28-0240 | A-42227-0024 |
| 07 | 22-28-0070 | A-42227-0007 | 25 | 22-28-0250 | A-42227-0025 |
| 08 | 22-28-0080 | A-42227-0008 | 26 | 22-28-0260 | A-42227-0026 |
| 09 | 22-28-0090 | A-42227-0009 | 27 | 22-28-0270 | A-42227-0027 |
| 10 | 22-28-0100 | A-42227-0010 | 28 | 22-28-0280 | A-42227-0028 |
| 11 | 22-28-0110 | A-42227-0011 | 29 | 22-28-0290 | A-42227-0029 |
| 12 | 22-28-0120 | A-42227-0012 | 30 | 22-28-0300 | A-42227-0030 |
| 13 | 22-28-0130 | A-42227-0013 | 31 | 22-28-0310 | A-42227-0031 |
| 14 | 22-28-0140 | A-42227-0014 | 32 | 22-28-0320 | A-42227-0032 |
| 15 | 22-28-0150 | A-42227-0015 | 33 | 22-28-0330 | A-42227-0033 |
| 16 | 22-28-0160 | A-42227-0016 | 34 | 22-28-0340 | A-42227-0034 |
| 17 | 22-28-0170 | A-42227-0017 | 35 | 22-28-0350 | A-42227-0035 |
| 18 | 22-28-0180 | A-42227-0018 | 36 | 22-28-0360 | A-42227-0036 |
| 19 | 22-28-0190 | A-42227-0019 | | | |

| A-42227-0037/0071 | | | | | |
|--------------------|-----------------|-----------------|------|-----------------|--------------|
| HEADER NUMBER: | | 41411 | | | |
| PIN NUMBER: | | 42663-AXB208 | | | |
| PIN LENGTH: L | | .540/13.72 | | | |
| MATING LENGTH: M | | .295/7.49 | | | |
| GOLD POINT: G | | .180/4.57 | | | |
| PC TAIL LENGTH: P | | .120/3.05 | | | |
| TIN: T | | .135/3.43 | | | |
| CKTS: | | 2-36 | | | |
| KINKS: | | NO | | | |
| REMOVED BACKWALLS: | | NO | | | |
| VOIDED CKTS: | | NONE | | | |
| PACKAGING: | | BULK 40873-0056 | | | |
| CKTS | MATERIAL NUMBER | ENG NUMBER | CKTS | MATERIAL NUMBER | ENG NUMBER |
| 02 | 22-28-0021 | A-42227-0037 | 20 | 22-28-0201 | A-42227-0055 |
| 03 | 22-28-0031 | A-42227-0038 | 21 | 22-28-0211 | A-42227-0056 |
| 04 | 22-28-0041 | A-42227-0039 | 22 | 22-28-0221 | A-42227-0057 |
| 05 | 22-28-0051 | A-42227-0040 | 23 | 22-28-0231 | A-42227-0058 |
| 06 | 22-28-0061 | A-42227-0041 | 24 | 22-28-0241 | A-42227-0059 |
| 07 | 22-28-0071 | A-42227-0042 | 25 | 22-28-0251 | A-42227-0060 |
| 08 | 22-28-0081 | A-42227-0043 | 26 | 22-28-0261 | A-42227-0061 |
| 09 | 22-28-0091 | A-42227-0044 | 27 | 22-28-0271 | A-42227-0062 |
| 10 | 22-28-0101 | A-42227-0045 | 28 | 22-28-0281 | A-42227-0063 |
| 11 | 22-28-0111 | A-42227-0046 | 29 | 22-28-0291 | A-42227-0064 |
| 12 | 22-28-0121 | A-42227-0047 | 30 | 22-28-0301 | A-42227-0065 |
| 13 | 22-28-0131 | A-42227-0048 | 31 | 22-28-0311 | A-42227-0066 |
| 14 | 22-28-0141 | A-42227-0049 | 32 | 22-28-0321 | A-42227-0067 |
| 15 | 22-28-0151 | A-42227-0050 | 33 | 22-28-0331 | A-42227-0068 |
| 16 | 22-28-0161 | A-42227-0051 | 34 | 22-28-0341 | A-42227-0069 |
| 17 | 22-28-0171 | A-42227-0052 | 35 | 22-28-0351 | A-42227-0070 |
| 18 | 22-28-0181 | A-42227-0053 | 36 | 22-28-0361 | A-42227-0071 |
| 19 | 22-28-0191 | A-42227-0054 | | | |

| | | | | | | | | |
|------------------|-----------------------|-------------|-----------------------|--|-------------|----------------------------|--------------|-------------------------------|
| REV: | K | SEE SHEET 1 | TITLE: | .100 FRICTION LOCK BREAKAWAY HEADER ASSY. | | SHEET No. | - 2 - | |
| DOCUMENT NUMBER: | SD- 42227 -001 | | CREATED / REVISED BY: | S. LINEHAN 03/04/2004 | CHECKED BY: | K.SAMIEC 03/04/2004 | APPROVED BY: | Y. MARGULIS 03/04/2004 |

| | | | | | |
|--|--|--|--|--|--|
| | | | | | |
|--|--|--|--|--|--|

| A-42227-0072/0106 | | | | | |
|--------------------|-----------------|-----------------|------|-----------------|--------------|
| HEADER NUMBER: | | 41411 | | | |
| PIN NUMBER: | | 42663-AXB228 | | | |
| PIN LENGTH: L | | .540/13.72 | | | |
| MATING LENGTH: M | | .295/7.49 | | | |
| GOLD POINT: G | | .180/4.57 | | | |
| PC TAIL LENGTH: P | | .120/3.05 | | | |
| TIN: T | | .135/3.43 | | | |
| CKTS: | | 2-36 | | | |
| KINKS: | | NO | | | |
| REMOVED BACKWALLS: | | NO | | | |
| VOIDED CKTS: | | NONE | | | |
| PACKAGING: | | BULK 40873-0056 | | | |
| CKTS | MATERIAL NUMBER | ENG NUMBER | CKTS | MATERIAL NUMBER | ENG NUMBER |
| 02 | 22-28-0022 | A-42227-0072 | 20 | 22-28-0202 | A-42227-0090 |
| 03 | 22-28-0032 | A-42227-0073 | 21 | 22-28-0212 | A-42227-0091 |
| 04 | 22-28-0042 | A-42227-0074 | 22 | 22-28-0222 | A-42227-0092 |
| 05 | 22-28-0052 | A-42227-0075 | 23 | 22-28-0232 | A-42227-0093 |
| 06 | 22-28-0062 | A-42227-0076 | 24 | 22-28-0242 | A-42227-0094 |
| 07 | 22-28-0072 | A-42227-0077 | 25 | 22-28-0252 | A-42227-0095 |
| 08 | 22-28-0082 | A-42227-0078 | 26 | 22-28-0262 | A-42227-0096 |
| 09 | 22-28-0092 | A-42227-0079 | 27 | 22-28-0272 | A-42227-0097 |
| 10 | 22-28-0102 | A-42227-0080 | 28 | 22-28-0282 | A-42227-0098 |
| 11 | 22-28-0112 | A-42227-0081 | 29 | 22-28-0292 | A-42227-0099 |
| 12 | 22-28-0122 | A-42227-0082 | 30 | 22-28-0302 | A-42227-0100 |
| 13 | 22-28-0132 | A-42227-0083 | 31 | 22-28-0312 | A-42227-0101 |
| 14 | 22-28-0142 | A-42227-0084 | 32 | 22-28-0322 | A-42227-0102 |
| 15 | 22-28-0152 | A-42227-0085 | 33 | 22-28-0332 | A-42227-0103 |
| 16 | 22-28-0162 | A-42227-0086 | 34 | 22-28-0342 | A-42227-0104 |
| 17 | 22-28-0172 | A-42227-0087 | 35 | 22-28-0352 | A-42227-0105 |
| 18 | 22-28-0182 | A-42227-0088 | 36 | 22-28-0362 | A-42227-0106 |
| 19 | 22-28-0192 | A-42227-0089 | | | |

| A-42227-0107/0141 | | | | | |
|--------------------|-----------------|-----------------|------|-----------------|--------------|
| HEADER NUMBER: | | 41411 | | | |
| PIN NUMBER: | | 42663-BAA154 | | | |
| PIN LENGTH: L | | .555/14.10 | | | |
| MATING LENGTH: M | | .295/7.49 | | | |
| GOLD POINT: G | | N/A | | | |
| PC TAIL LENGTH: P | | .135/3.43 | | | |
| TIN: T | | OVERALL | | | |
| CKTS: | | 2-36 | | | |
| KINKS: | | YES | | | |
| REMOVED BACKWALLS: | | NO | | | |
| VOIDED CKTS: | | NONE | | | |
| PACKAGING: | | BULK 40873-0056 | | | |
| CKTS | MATERIAL NUMBER | ENG NUMBER | CKTS | MATERIAL NUMBER | ENG NUMBER |
| 02 | 22-28-0023 | A-42227-0107 | 20 | 22-28-0203 | A-42227-0125 |
| 03 | 22-28-0033 | A-42227-0108 | 21 | 22-28-0213 | A-42227-0126 |
| 04 | 22-28-0043 | A-42227-0109 | 22 | 22-28-0223 | A-42227-0127 |
| 05 | 22-28-0053 | A-42227-0110 | 23 | 22-28-0233 | A-42227-0128 |
| 06 | 22-28-0063 | A-42227-0111 | 24 | 22-28-0243 | A-42227-0129 |
| 07 | 22-28-0073 | A-42227-0112 | 25 | 22-28-0253 | A-42227-0130 |
| 08 | 22-28-0083 | A-42227-0113 | 26 | 22-28-0263 | A-42227-0131 |
| 09 | 22-28-0093 | A-42227-0114 | 27 | 22-28-0273 | A-42227-0132 |
| 10 | 22-28-0103 | A-42227-0115 | 28 | 22-28-0283 | A-42227-0133 |
| 11 | 22-28-0113 | A-42227-0116 | 29 | 22-28-0293 | A-42227-0134 |
| 12 | 22-28-0123 | A-42227-0117 | 30 | 22-28-0303 | A-42227-0135 |
| 13 | 22-28-0133 | A-42227-0118 | 31 | 22-28-0313 | A-42227-0136 |
| 14 | 22-28-0143 | A-42227-0119 | 32 | 22-28-0323 | A-42227-0137 |
| 15 | 22-28-0153 | A-42227-0120 | 33 | 22-28-0333 | A-42227-0138 |
| 16 | 22-28-0163 | A-42227-0121 | 34 | 22-28-0343 | A-42227-0139 |
| 17 | 22-28-0173 | A-42227-0122 | 35 | 22-28-0353 | A-42227-0140 |
| 18 | 22-28-0183 | A-42227-0123 | 36 | 22-28-0363 | A-42227-0141 |
| 19 | 22-28-0193 | A-42227-0124 | | | |

| | | | | | | |
|------|----------|-------------|--------|--|-----------|--------------|
| REV: | K | SEE SHEET 1 | TITLE: | .100 FRICTION LOCK BREAKAWAY HEADER ASSY. | SHEET No. | - 3 - |
|------|----------|-------------|--------|--|-----------|--------------|

| | | | | | | | |
|------------------|-----------------------|-----------------------|------------------------------|-------------|----------------------------|--------------|-------------------------------|
| DOCUMENT NUMBER: | SD- 42227 -001 | CREATED / REVISED BY: | S. LINEHAN 03/04/2004 | CHECKED BY: | K.SAMIEC 03/04/2004 | APPROVED BY: | Y. MARGULIS 03/04/2004 |
|------------------|-----------------------|-----------------------|------------------------------|-------------|----------------------------|--------------|-------------------------------|

| | | | | | |
|--|--|--|--|--|--|
| | | | | | |
|--|--|--|--|--|--|

| A-42227-0142/0176 | | | | | |
|--------------------|-----------------|-----------------|------|-----------------|--------------|
| HEADER NUMBER: | | 41411 | | | |
| PIN NUMBER: | | 42663-BAB208 | | | |
| PIN LENGTH: L | | .555/14.10 | | | |
| MATING LENGTH: M | | .295/7.49 | | | |
| GOLD POINT: G | | .180/4.57 | | | |
| PC TAIL LENGTH: P | | .135/3.43 | | | |
| TIN: T | | .135/3.43 | | | |
| CKTS: | | 2-36 | | | |
| KINKS: | | YES | | | |
| REMOVED BACKWALLS: | | NO | | | |
| VOIDED CKTS: | | NONE | | | |
| PACKAGING: | | BULK 40873-0056 | | | |
| CKTS | MATERIAL NUMBER | ENG NUMBER | CKTS | MATERIAL NUMBER | ENG NUMBER |
| 02 | 22-28-0024 | A-42227-0142 | 20 | 22-28-0204 | A-42227-0160 |
| 03 | 22-28-0034 | A-42227-0143 | 21 | 22-28-0214 | A-42227-0161 |
| 04 | 22-28-0044 | A-42227-0144 | 22 | 22-28-0224 | A-42227-0162 |
| 05 | 22-28-0054 | A-42227-0145 | 23 | 22-28-0234 | A-42227-0163 |
| 06 | 22-28-0064 | A-42227-0146 | 24 | 22-28-0244 | A-42227-0164 |
| 07 | 22-28-0074 | A-42227-0147 | 25 | 22-28-0254 | A-42227-0165 |
| 08 | 22-28-0084 | A-42227-0148 | 26 | 22-28-0264 | A-42227-0166 |
| 09 | 22-28-0094 | A-42227-0149 | 27 | 22-28-0274 | A-42227-0167 |
| 10 | 22-28-0104 | A-42227-0150 | 28 | 22-28-0284 | A-42227-0168 |
| 11 | 22-28-0114 | A-42227-0151 | 29 | 22-28-0294 | A-42227-0169 |
| 12 | 22-28-0124 | A-42227-0152 | 30 | 22-28-0304 | A-42227-0170 |
| 13 | 22-28-0134 | A-42227-0153 | 31 | 22-28-0314 | A-42227-0171 |
| 14 | 22-28-0144 | A-42227-0154 | 32 | 22-28-0324 | A-42227-0172 |
| 15 | 22-28-0154 | A-42227-0155 | 33 | 22-28-0334 | A-42227-0173 |
| 16 | 22-28-0164 | A-42227-0156 | 34 | 22-28-0344 | A-42227-0174 |
| 17 | 22-28-0174 | A-42227-0157 | 35 | 22-28-0354 | A-42227-0175 |
| 18 | 22-28-0184 | A-42227-0158 | 36 | 22-28-0364 | A-42227-0176 |
| 19 | 22-28-0194 | A-42227-0159 | | | |

| A-42227-0177/0211 | | | | | |
|--------------------|-----------------|-----------------|------|-----------------|--------------|
| HEADER NUMBER: | | 41411 | | | |
| PIN NUMBER: | | 42663-BAB228 | | | |
| PIN LENGTH: L | | .555/14.10 | | | |
| MATING LENGTH: M | | .295/7.49 | | | |
| GOLD POINT: G | | .180/4.57 | | | |
| PC TAIL LENGTH: P | | .135/3.43 | | | |
| TIN: T | | .135/3.43 | | | |
| CKTS: | | 2-36 | | | |
| KINKS: | | YES | | | |
| REMOVED BACKWALLS: | | NO | | | |
| VOIDED CKTS: | | NONE | | | |
| PACKAGING: | | BULK 40873-0056 | | | |
| CKTS | MATERIAL NUMBER | ENG NUMBER | CKTS | MATERIAL NUMBER | ENG NUMBER |
| 02 | 22-28-0025 | A-42227-0177 | 20 | 22-28-0205 | A-42227-0195 |
| 03 | 22-28-0035 | A-42227-0178 | 21 | 22-28-0215 | A-42227-0196 |
| 04 | 22-28-0045 | A-42227-0179 | 22 | 22-28-0225 | A-42227-0197 |
| 05 | 22-28-0055 | A-42227-0180 | 23 | 22-28-0235 | A-42227-0198 |
| 06 | 22-28-0065 | A-42227-0181 | 24 | 22-28-0245 | A-42227-0199 |
| 07 | 22-28-0075 | A-42227-0182 | 25 | 22-28-0255 | A-42227-0200 |
| 08 | 22-28-0085 | A-42227-0183 | 26 | 22-28-0265 | A-42227-0201 |
| 09 | 22-28-0095 | A-42227-0184 | 27 | 22-28-0275 | A-42227-0202 |
| 10 | 22-28-0105 | A-42227-0185 | 28 | 22-28-0285 | A-42227-0203 |
| 11 | 22-28-0115 | A-42227-0186 | 29 | 22-28-0295 | A-42227-0204 |
| 12 | 22-28-0125 | A-42227-0187 | 30 | 22-28-0305 | A-42227-0205 |
| 13 | 22-28-0135 | A-42227-0188 | 31 | 22-28-0315 | A-42227-0206 |
| 14 | 22-28-0145 | A-42227-0189 | 32 | 22-28-0325 | A-42227-0207 |
| 15 | 22-28-0155 | A-42227-0190 | 33 | 22-28-0335 | A-42227-0208 |
| 16 | 22-28-0165 | A-42227-0191 | 34 | 22-28-0345 | A-42227-0209 |
| 17 | 22-28-0175 | A-42227-0192 | 35 | 22-28-0355 | A-42227-0210 |
| 18 | 22-28-0185 | A-42227-0193 | 36 | 22-28-0365 | A-42227-0211 |
| 19 | 22-28-0195 | A-42227-0194 | | | |

| | | | | | | |
|------|----------|-------------|--------|--|-----------|--------------|
| REV: | K | SEE SHEET 1 | TITLE: | .100 FRICTION LOCK BREAKAWAY HEADER ASSY. | SHEET No. | - 4 - |
|------|----------|-------------|--------|--|-----------|--------------|

| | | | | | | | |
|------------------|-----------------------|-----------------------|------------------------------|-------------|----------------------------|--------------|-------------------------------|
| DOCUMENT NUMBER: | SD- 42227 -001 | CREATED / REVISED BY: | S. LINEHAN 03/04/2004 | CHECKED BY: | K.SAMIEC 03/04/2004 | APPROVED BY: | Y. MARGULIS 03/04/2004 |
|------------------|-----------------------|-----------------------|------------------------------|-------------|----------------------------|--------------|-------------------------------|