

PLEASE CHECK WWW.MOLEX.COM FOR LATEST PART INFORMATION

Part Number: [0955022643](#)
Status: **Active**
Overview: [modular_plugs_jacks](#)
Description: Modular Jack, Through Hole Version, Bottom Entry, 6/4 Circuits

Documents:

[3D Model](#) [Product Specification PS-95502-001 \(PDF\)](#)
[Drawing \(PDF\)](#) [RoHS Certificate of Compliance \(PDF\)](#)

Agency Certification

UL E107635

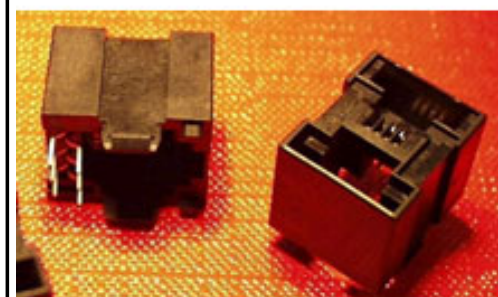
General

Product Family Modular Jacks/Plugs
 Series [95502](#)
 Component Type PCB Jack
 Magnetic No
 Overview [modular_plugs_jacks](#)
 Performance Category 3
 Power over Ethernet (PoE) N/A
 Product Name RJ11

Physical

Boot Color N/A
 Color - Resin Black
 Durability (mating cycles max) 200
 Flammability 94V-0
 Inverted / Top Latch No
 Lightpipes/LEDs None
 Material - Metal Phosphor Bronze
 Material - Plating Mating Gold
 Material - Plating Termination Tin
 Material - Resin High Temperature Thermoplastic
 Orientation Bottom Entry
 PCB Locator Yes
 PCB Retention Yes
 PCB Thickness Recommended (in) 0.062 In
 PCB Thickness Recommended (mm) 1.57 mm
 Packaging Type Tray
 Pitch - Mating Interface (in) 0.040 In
 Pitch - Mating Interface (mm) 1.02 mm
 Pitch - Term. Interface (in) 0.050 In
 Pitch - Term. Interface (mm) 1.27 mm
 Plating min: Mating (µin) 50.8
 Plating min: Mating (µm) 1.27
 Plating min: Termination (µin) 76
 Plating min: Termination (µm) 1.9
 Ports 1
 Positions / Loaded Contacts 6/4
 Surface Mount Compatible (SMC) Yes
 Temperature Range - Operating -40°C to +80°C
 Termination Interface: Style Through Hole
 Waterproof / Dustproof No
 Wire/Cable Type N/A

Electrical



Series

image - Reference only

EU RoHS

**ELV and RoHS
 Compliant**
**REACH SVHC
 Contains SVHC: No**
**Halogen-Free
 Status
 Not Reviewed**

China RoHS



**Need more information on product
 environmental compliance?**

Email productcompliance@molex.com
 For a multiple part number RoHS Certificate of
 Compliance, [click here](#)

Please visit the [Contact Us](#) section for any
 non-product compliance questions.

Search Parts in this Series

[95502Series](#)

Mates With

[90075 FCC 68 Plug](#)

Current - Maximum per Contact	1.5A
Shielded	No
Voltage - Maximum	125V DC

Material Info

Reference - Drawing Numbers

Packaging Specification	PK-95002
Product Specification	PS-95502-001
Sales Drawing	SD-95502-001

This document was generated on 06/07/2010

PLEASE CHECK WWW.MOLEX.COM FOR LATEST PART INFORMATION

NOTES :

1- MATERIAL:

-HOUSING: L C P FIBER GLASS FILLED
UL 94-V0 COLOR BLACK.

-MODULE : L C P FIBER GLASS FILLED
UL 94-V0 COLOR BLACK.

-TERMINAL: PHOSPHOR BRONZE .

PLATING:

POST PLATE 0.00127-0.00152/.000050-.000060 GOLD
IN CONTACT AREA.

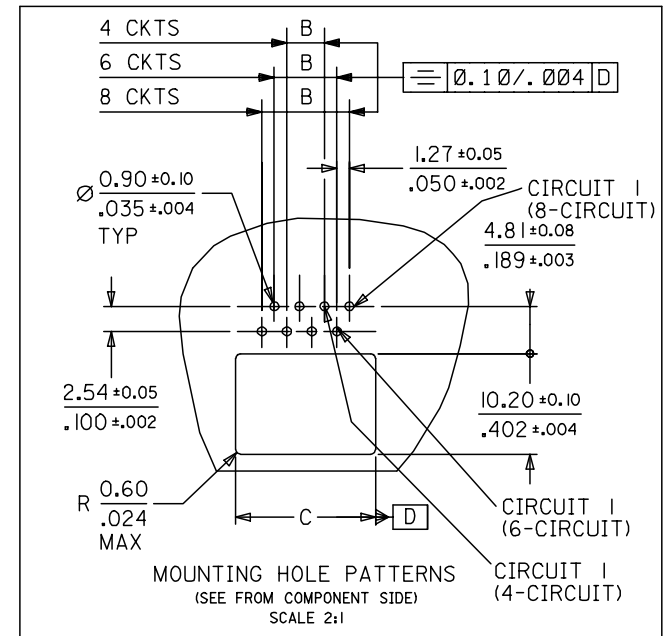
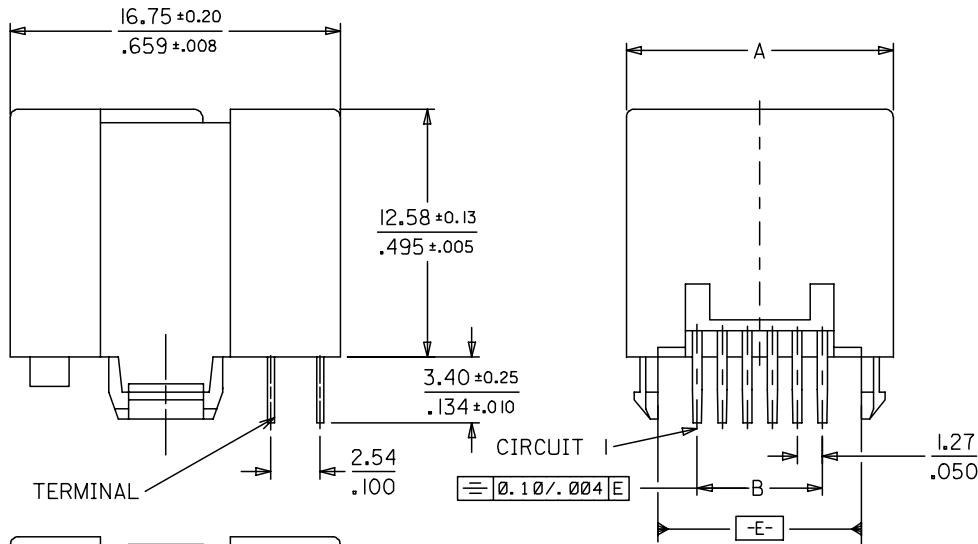
0.00190/.000075 MIN PURE TIN IN TAIL AREA
BOTH OVER 0.00127/.000050 MIN NICKEL OVERALL.

2- JACK FOR MATING WITH FCC 68 PLUGS
90075 MOLEX SERIES.

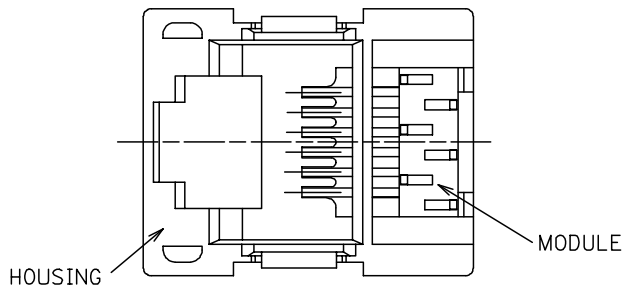
3- PCB THICKNESS : 1.57 / .062

4- PRODUCT SPECIFICATION PS-95502-001

5- PACKAGING SPECIFICATION PK-95002



P/N	HOUSING SIZE	CKTS.	DIM.		
			A ± 0.13	B $\begin{matrix} +0.05 \\ -0.10 \\ +.002 \\ -.004 \end{matrix}$	C $\begin{matrix} \pm 0.08 \\ \pm .003 \end{matrix}$
95502-2443	POS 4	4 CKTS	$\frac{11.50}{.453}$	$\frac{3.81}{.150}$	$\frac{10.20}{.402}$
95502-2643	POS 6	4 CKTS	$\frac{13.55}{.533}$	$\frac{3.81}{.150}$	$\frac{12.20}{.480}$
95502-2663	POS 6	6 CKTS	$\frac{13.55}{.533}$	$\frac{6.35}{.250}$	$\frac{12.20}{.480}$
95502-2883	POS 8	8 CKTS	$\frac{15.55}{.612}$	$\frac{8.89}{.350}$	$\frac{14.20}{.559}$



MODIFIED MATL. EC NO: E2007-0611 DRWN:DBYRNES 2007/01/22 CHKD: 2007/01/22 APPR:EDMAMONY 2007/01/25	QUALITY SYMBOLS ▽=0 ▽=0	GENERAL TOLERANCES (UNLESS SPECIFIED)		DIMENSION STYLE MM/IN	SCALE 4:1	DESIGN UNITS METRIC	THIRD ANGLE PROJECTION
		4 PLACES ± --- ± --- 3 PLACES ± --- ± .006 2 PLACES ± 0.15 ± .010 1 PLACE ± 0.25 ± --- ANGULAR ± .5 °	DRAWN BY TMARTIN DATE 2005/05/31	CHECKED BY FCARABETTA DATE 2005/05/31	APPROVED BY KNOLLER DATE 2005/05/31	MATERIAL NO.	DOCUMENT NO. SD-95502-001
DRAFT WHERE APPLICABLE MUST REMAIN WITHIN DIMENSIONS		SEE CHART		TITLE BOTTOM ENTRY LOW PROFILE MODULAR JACK (THROUGH HOLE VERSION)			
THIS DRAWING CONTAINS INFORMATION THAT IS PROPRIETARY TO MOLEX INCORPORATED AND SHOULD NOT BE USED WITHOUT WRITTEN PERMISSION							