

**PLEASE CHECK WWW.MOLEX.COM FOR LATEST PART INFORMATION**

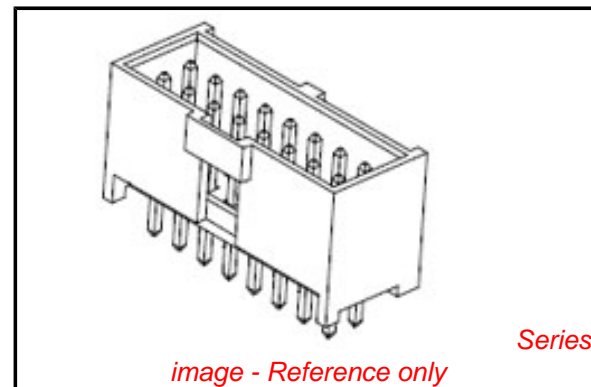
**Part Number:** [0918141210](#)  
**Status:** **Active**  
**Overview:** [cgrid\\_iii](#)  
**Description:** 2.54mm (.100") Pitch C-Grid III™ Dual Row Vertical Shrouded Header, 10 Circuits, Tin (Sn) over Nickel (Ni)

**Documents:**

[3D Model](#) [RoHS Certificate of Compliance \(PDF\)](#)  
[Drawing \(PDF\)](#)

**General**

Product Family	PCB Headers
Series	<a href="#">91814</a>
Application	Wire-to-Board
Overview	<a href="#">cgrid_iii</a>
Product Name	C-Grid III™
<b>Physical</b>	
Breakaway	No
Circuits (Loaded)	10
Circuits (maximum)	10
Color - Resin	Black
First Mate / Last Break	No
Glow-Wire Compliant	No
Guide to Mating Part	No
Keying to Mating Part	None
Lock to Mating Part	None
Material - Metal	Brass
Material - Plating Mating	Tin
Material - Plating Termination	Tin
Material - Resin	High Temperature Thermoplastic
Number of Rows	2
Orientation	Vertical
PC Tail Length (in)	0.083 In
PC Tail Length (mm)	2.10 mm
PCB Locator	No
PCB Retention	None
PCB Thickness Recommended (in)	0.063 In
PCB Thickness Recommended (mm)	1.60 mm
Packaging Type	Tray
Pitch - Mating Interface (in)	0.100 In
Pitch - Mating Interface (mm)	2.54 mm
Pitch - Term. Interface (in)	0.100 In
Pitch - Term. Interface (mm)	2.54 mm
Plating min: Mating (µin)	120
Plating min: Mating (µm)	3
Plating min: Termination (µin)	120
Plating min: Termination (µm)	3
Polarized to Mating Part	Yes
Polarized to PCB	No
Robotic Placement	None
Shrouded	Closed Ends
Stackable	No
Surface Mount Compatible (SMC)	Yes
Temperature Range - Operating	-55°C to +125°C
Termination Interface: Style	Through Hole



**EU RoHS**

**ELV and RoHS Compliant**  
**REACH SVHC**  
 Not Reviewed  
**Halogen-Free**  
**Status**  
**Not Reviewed**

**China RoHS**



**Need more information on product environmental compliance?**

Email [productcompliance@molex.com](mailto:productcompliance@molex.com)  
 For a multiple part number RoHS Certificate of Compliance, [click here](#)

Please visit the [Contact Us](#) section for any non-product compliance questions.

**Search Parts in this Series**

[91814Series](#)

**Mates With**

[90142 C-Grid III™ Crimp Housing](#) . [90119 C-Grid III™ Crimp Terminal](#)

**Electrical**

Current - Maximum per Contact

3A

Voltage - Maximum

350V AC/DC

**Material Info****Reference - Drawing Numbers**

Packaging Specification

PK-91814-005

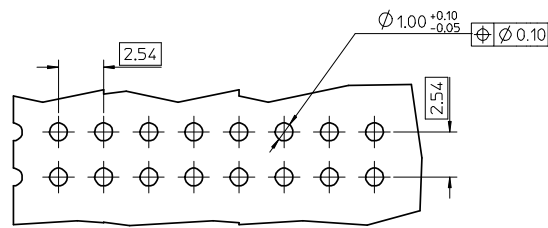
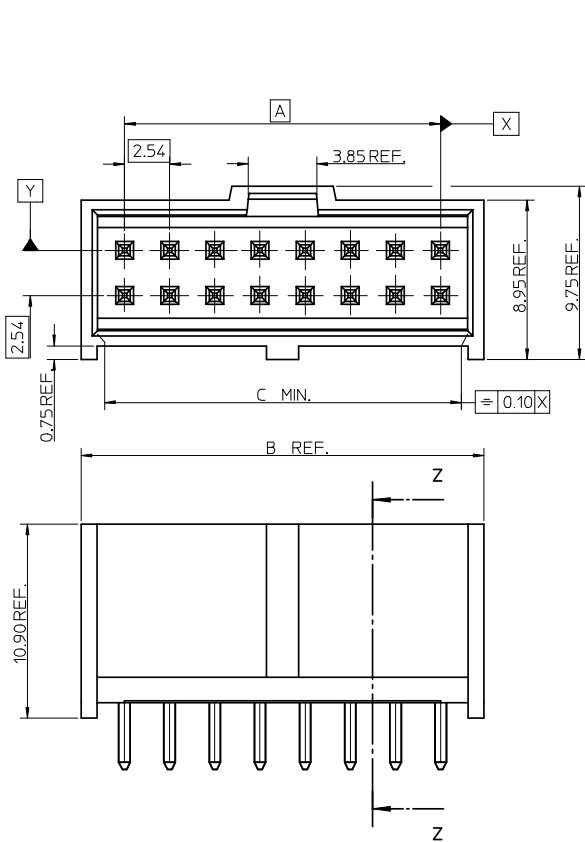
Sales Drawing

SD-91814-002

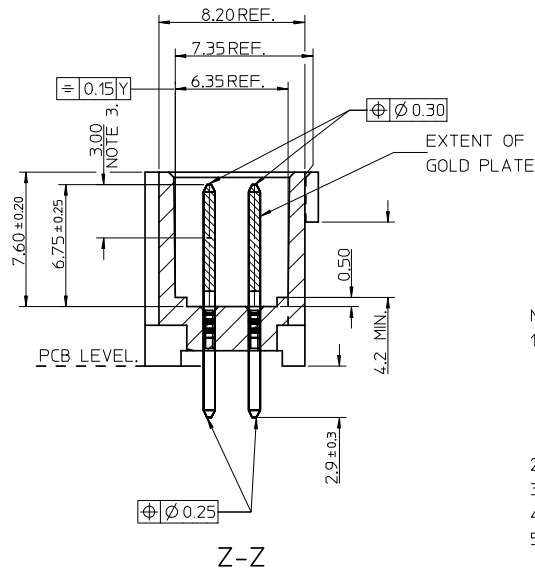
This document was generated on 05/26/2010

**PLEASE CHECK [WWW.MOLEX.COM](http://WWW.MOLEX.COM) FOR LATEST PART INFORMATION**

CKT SIZE	DIM A	DIM B	DIM C
6	5.08	9.96	8.12
8	7.62	12.50	10.66
10	10.16	15.04	13.20
12	12.70	17.58	15.74
14	15.24	20.12	18.28
16	17.78	22.66	20.82
18	20.32	25.20	23.36
20	22.86	27.74	25.90
22	25.40	30.28	28.44
24	27.94	32.82	30.98
26	30.48	35.36	33.52
28	33.02	37.90	36.06
30	35.56	40.44	38.60
32	38.10	42.98	41.14
34	40.64	45.52	43.68
36	43.18	48.06	46.22
38	45.72	50.60	48.76
40	48.26	53.14	51.30
42	50.80	55.68	53.84
44	53.34	58.22	56.38
46	55.88	60.76	58.92
48	58.42	63.30	61.46
50	60.96	65.84	64.00

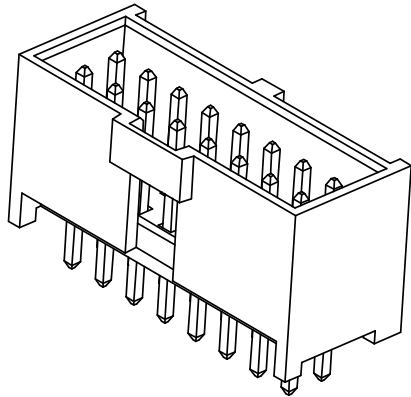


RECOMMENDED P.C. BOARD HOLE LAYOUT



NOTES:

- MATERIAL:  
PIN: 0.647 REF SQ. BRASS WIRE.  
HOUSING: GLASS FILLED POLYESTER (PCT) UL 94-V0  
COLOUR: BLACK  
PLATING: SEE SHEET 2
- PIN RETENTION FORCE 20N IN BOTH DIRECTIONS.
- MEASUREMENT POINT FOR MINIMUM PLATING THICKNESS.
- RECOMMENDED PCB THICKNESS 1.6mm
- PRODUCT SPECIFICATION: PS-99020-0001



ORIGINAL EC NO: E2008-0145 DRAWN: DBYRNES 2008/04/10 CHKD: 2008/04/11 APPR: J WALLACE 2008/04/11	DESCRIPTION	QUALITY SYMBOLS	GENERAL TOLERANCES (UNLESS SPECIFIED)		DIMENSION STYLE MM ONLY		SCALE 5:1	DESIGN UNITS METRIC	THIRD ANGLE PROJECTION
		$\nabla=0$ $\nabla=0$	mm	INCH	DRAWN BY DBYRNES	DATE 2007/07/26	TITLE C-GRID III DUAL ROW T/HOLE SHROUDED HEADER ROHS COMPATIBLE		
A	REV	4 PLACES ± ---	± ---	± ---	CHECKED BY EOMAHONY	DATE 2007/07/27	MOLEX INCORPORATED		
		3 PLACES ± ---	± ---	± ---	APPROVED BY EOMAHONY	DATE 2007/07/27	DOCUMENT NO. SD-91814-002		SHEET NO. 1 OF 2
		2 PLACES ± 0.15	± ---	± ---	MATERIAL NO. SEE CHARTS				
		1 PLACE ± 0.25	± ---	± ---	SIZE A 2 THIS DRAWING CONTAINS INFORMATION THAT IS PROPRIETARY TO MOLEX INCORPORATED AND SHOULD NOT BE USED WITHOUT WRITTEN PERMISSION				
		ANGULAR ± .5 °		DRAFT WHERE APPLICABLE MUST REMAIN WITHIN DIMENSIONS					

NO OF CKTS	PART NUMBER		
	PLATING TYPE A	PLATING TYPE B	PLATING TYPE C
6	91814 -1106	91814 -1206	91814 -1306
8	▲ -1108	▲ -1208	▲ -1308
10	▲ -1110	▲ -1210	▲ -1310
12	▲ -1112	▲ -1212	▲ -1312
14	▲ -1114	▲ -1214	▲ -1314
16	▲ -1116	▲ -1216	▲ -1316
18	▲ -1118	▲ -1218	▲ -1318
20	▲ -1120	▲ -1220	▲ -1320
22	▲ -1122	▲ -1222	▲ -1322
24	▲ -1124	▲ -1224	▲ -1324
26	▲ -1126	▲ -1226	▲ -1326
28	▲ -1128	▲ -1228	▲ -1328
30	▲ -1130	▲ -1230	▲ -1330
32	▲ -1132	▲ -1232	▲ -1332
34	▲ -1134	▲ -1234	▲ -1334
36	▲ -1136	▲ -1236	▲ -1336
38	▲ -1138	▲ -1238	▲ -1338
40	▲ -1140	▲ -1240	▲ -1340
42	▲ -1142	▲ -1242	▲ -1342
44	▲ -1144	▲ -1244	▲ -1344
46	▼ -1146	▼ -1246	▼ -1346
48	▼ -1148	▼ -1248	▼ -1348
50	91814 -1150	91814 -1250	91814 -1350

NOTES:  
1- FOR ASSY SEE SHEET 1.  
2- FOR PLATING DETAILS SEE SDES-99000-0003

ORIGINAL EC NO: E2008-0145 DRAWN: DBYRNES 2008/04/10 CHKD: 2008/04/11 APPR: WALLACE 2008/04/11 A	DESCRIPTION REV	QUALITY SYMBOLS ▼=0 ▽=0	GENERAL TOLERANCES (UNLESS SPECIFIED) mm INCH 4 PLACES ± --- ± --- 3 PLACES ± --- ± --- 2 PLACES ± 0.15 ± --- 1 PLACE ± 0.25 ± --- ANGULAR ± .5 °	DIMENSION STYLE <b>MM ONLY</b>	SCALE 1:1	DESIGN UNITS METRIC	THIRD ANGLE PROJECTION
		DRAWN BY DBYRNES	DATE 2007/07/26	TITLE C-GRID III DUAL ROW T/HOLE SHROUDED HEADER ROHS COMPATIBLE			
		CHECKED BY EOMAHONY	DATE 2007/07/27	MATERIAL NO.			
		APPROVED BY EOMAHONY	DATE 2007/07/27	DOCUMENT NO. SD-91814-002			
DRAFT WHERE APPLICABLE MUST REMAIN WITHIN DIMENSIONS			SIZE A 2	THIS DRAWING CONTAINS INFORMATION THAT IS PROPRIETARY TO MOLEX INCORPORATED AND SHOULD NOT BE USED WITHOUT WRITTEN PERMISSION			