

**PLEASE CHECK WWW.MOLEX.COM FOR LATEST PART INFORMATION**

**Part Number:** [0894001320](#)  
**Status:** **Active**  
**Description:** 2.00mm (.079") Pitch Wire-to-Board Header, Vertical, 13 Circuits, with Kinked PC Tail

**Documents:**

[3D Model](#) [Product Specification PS-87369-0002 \(PDF\)](#)  
[Drawing \(PDF\)](#) [RoHS Certificate of Compliance \(PDF\)](#)

**Agency Certification**

CSA LR19980  
 UL E29179

**General**

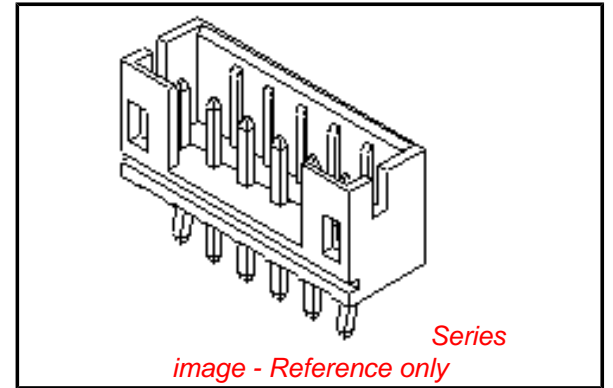
Product Family PCB Headers  
 Series [89400](#)  
 Application Wire-to-Board  
 Product Name N/A

**Physical**

Breakaway No  
 Circuits (Loaded) 13  
 Circuits (maximum) 13  
 Color - Resin Natural  
 Durability (mating cycles max) 30  
 First Mate / Last Break No  
 Flammability 94V-0  
 Glow-Wire Compliant No  
 Guide to Mating Part No  
 Keying to Mating Part None  
 Lock to Mating Part Yes  
 Material - Plating Mating Tin  
 Material - Plating Termination Tin  
 Material - Resin Nylon  
 Number of Rows 1  
 Orientation Vertical  
 PC Tail Length (in) 0.134 In  
 PC Tail Length (mm) 3.40 mm  
 PCB Locator No  
 PCB Retention Yes  
 PCB Thickness Recommended (in) 0.045 In  
 PCB Thickness Recommended (mm) 1.20 mm  
 Packaging Type Bag  
 Pitch - Mating Interface (in) 0.079 In  
 Pitch - Mating Interface (mm) 2.00 mm  
 Plating min: Mating (µin) 50  
 Plating min: Mating (µm) 1.27  
 Plating min: Termination (µin) 50  
 Plating min: Termination (µm) 1.27  
 Polarized to PCB No  
 Shrouded Partial  
 Stackable No  
 Temperature Range - Operating -25°C to +85°C  
 Termination Interface: Style Through Hole

**Electrical**

Current - Maximum per Contact 4A



**EU RoHS**

**ELV and RoHS Compliant**  
**REACH SVHC**  
 Not Reviewed  
**Halogen-Free Status**  
 Not Reviewed

**China RoHS**



**Need more information on product environmental compliance?**

Email [productcompliance@molex.com](mailto:productcompliance@molex.com)  
 For a multiple part number RoHS Certificate of Compliance, [click here](#)

Please visit the [Contact Us](#) section for any non-product compliance questions.

**Search Parts in this Series**

[89400Series](#)

**Mates With**

[87369 Crimp Housing](#)

Voltage - Maximum

250V

**Material Info**

**Reference - Drawing Numbers**

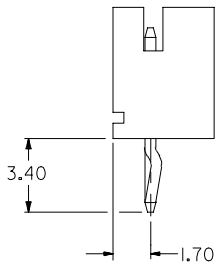
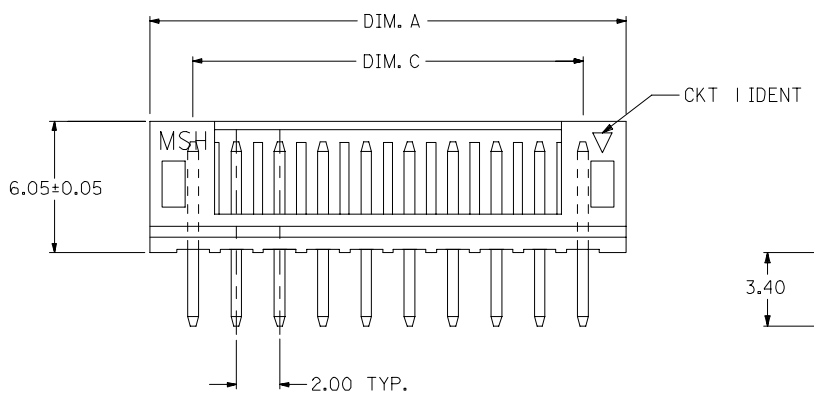
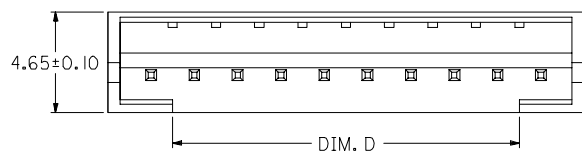
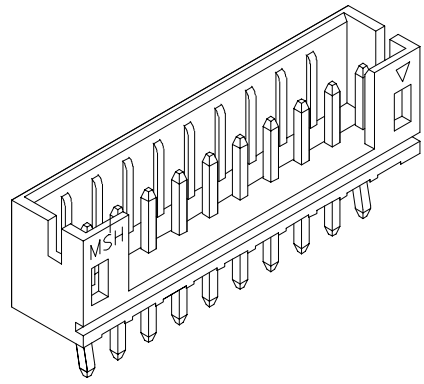
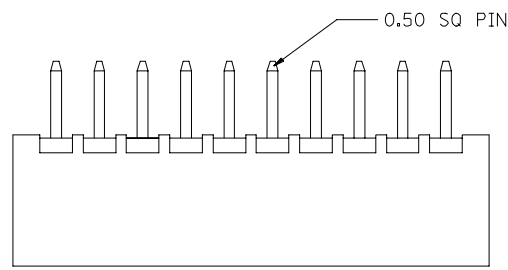
Product Specification  
Sales Drawing

PS-87369-0002, RPS-87369-001  
SD-89400-\*\*2\*

This document was generated on 06/08/2010

**PLEASE CHECK [WWW.MOLEX.COM](http://WWW.MOLEX.COM) FOR LATEST PART INFORMATION**

CIRCUITS	ORDER NO.	DIM. C	DIM. D	DIM. A
2	89400-021*	2.00	0.75	6.00
3	89400-031*	4.00	2.00	8.00
4	89400-041*	6.00	4.00	10.00
5	89400-051*	8.00	6.00	12.00
6	89400-061*	10.00	8.00	14.00
7	89400-071*	12.00	10.00	16.00
8	89400-081*	14.00	12.00	18.00
9	89400-091*	16.00	14.00	20.00
10	89400-101*	18.00	16.00	22.00
11	89400-111*	20.00	18.00	24.00
12	89400-121*	22.00	20.00	26.00
13	89400-131*	24.00	22.00	28.00
14	89400-141*	26.00	24.00	30.00
15	89400-151*	28.00	26.00	32.00
16	89400-161*	30.00	28.00	34.00

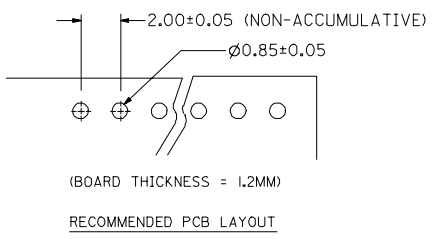


PART NO. LEGEND  
89400 - \*\* I \*

CKT SIZE

COLOR OPTION  
0 - NATURAL (WHITE)  
1 - BLACK  
2 - RED  
3 - YELLOW  
4 - BLUE  
6 - GREEN

- NOTE:**
- MATERIALS : HOUSING - NYLON (PA66), UL94 V-0  
COLOR : SEE OPTION  
TERMINAL - BRASS
  - FINISHES : TERMINAL - TIN THICKNESS 1.27-2.54 MICROMETER OVER  
NICKEL THICKNESS 2.54 MICROMETER MIN OVERALL  
COPPER THICKNESS 1.07 MICROMETER MIN OVERALL
  - PRODUCT SPECIFICATION : PS-87369-0001
  - BULK PACK IN PVC BAG WITH 1000 PCS PER BAG.



NEW RELEASE  
EC NO: SH2006-0288  
DRWN:DHU 2005/12/07  
CHKD:HARVEY 2005/12/08  
APPR:GCHEN 2005/12/09

QUALITY SYMBOLS  
▽=0  
▽C=0

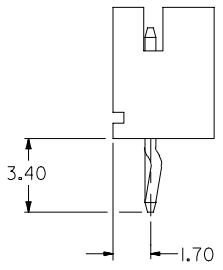
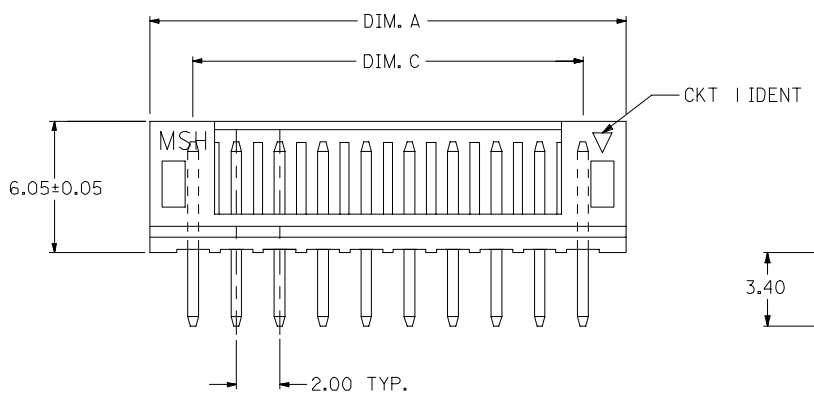
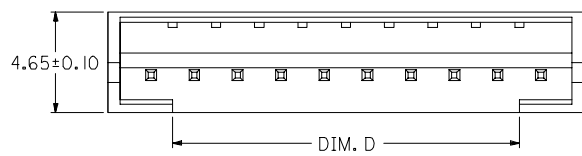
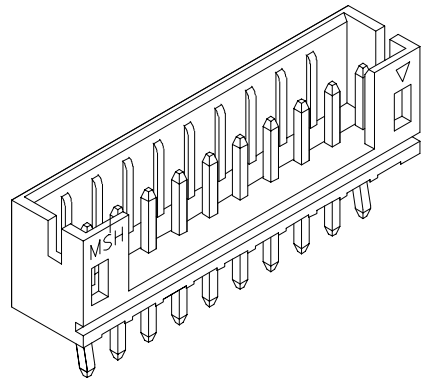
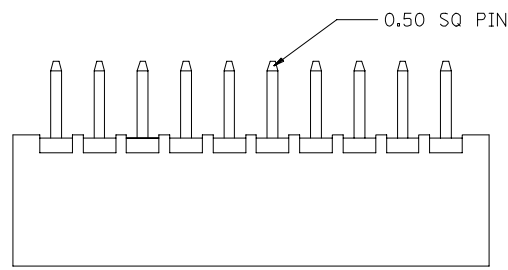
GENERAL TOLERANCES (UNLESS SPECIFIED)	
mm	INCH
4 PLACES	± ---
3 PLACES	± ---
2 PLACES	± 0.2
1 PLACE	± ---
ANGULAR ± ---°	

DRAFT WHERE APPLICABLE  
MUST REMAIN WITHIN DIMENSIONS

DIMENSION STYLE MM ONLY	
DRAWN BY	DATE
G0H	1995/02/04
CHECKED BY	DATE
APPROVED BY	DATE
MATERIAL NO.	DOCUMENT NO.
SEE TABLE	SD-89400-**1*

SCALE	DESIGN UNITS METRIC	THIRD ANGLE PROJECTION
2.00MM WIRE-BOARD STRAIGHT HEADER		
MOLEX INCORPORATED		
SHEET NO.		1 OF 1

CIRCUITS	ORDER NO.	DIM. C	DIM. D	DIM. A
2	89400-021*	2.00	0.75	6.00
3	89400-031*	4.00	2.00	8.00
4	89400-041*	6.00	4.00	10.00
5	89400-051*	8.00	6.00	12.00
6	89400-061*	10.00	8.00	14.00
7	89400-071*	12.00	10.00	16.00
8	89400-081*	14.00	12.00	18.00
9	89400-091*	16.00	14.00	20.00
10	89400-101*	18.00	16.00	22.00
11	89400-111*	20.00	18.00	24.00
12	89400-121*	22.00	20.00	26.00
13	89400-131*	24.00	22.00	28.00
14	89400-141*	26.00	24.00	30.00
15	89400-151*	28.00	26.00	32.00
16	89400-161*	30.00	28.00	34.00

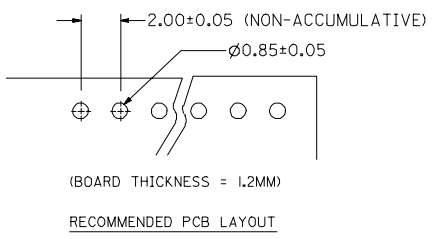


PART NO. LEGEND  
89400 - \*\*1\*

CKT SIZE

COLOR OPTION  
0 - NATURAL (WHITE)  
1 - BLACK  
2 - RED  
3 - YELLOW  
4 - BLUE  
6 - GREEN

- NOTE:
- MATERIALS : HOUSING - NYLON (PA66), UL94 V-0  
COLOR : SEE OPTION  
TERMINAL - BRASS
  - FINISHES : TERMINAL - TIN THICKNESS 1.27-2.54 MICROMETER OVER  
NICKEL THICKNESS 2.54 MICROMETER MIN OVERALL  
COPPER THICKNESS 1.07 MICROMETER MIN OVERALL
  - PRODUCT SPECIFICATION : PS-87369-0001
  - BULK PACK IN PVC BAG WITH 1000 PCS PER BAG.



NEW RELEASE  
EC NO: SH2006-0288  
DRWN:DHU 2005/12/07  
CHKD:HARVEY 2005/12/08  
APPR:GCHEN 2005/12/09

QUALITY SYMBOLS  
▽=0  
▽C=0

GENERAL TOLERANCES (UNLESS SPECIFIED)	
mm	INCH
4 PLACES	± ---
3 PLACES	± ---
2 PLACES	± 0.2
1 PLACE	± ---
ANGULAR ± ---°	

DRAFT WHERE APPLICABLE  
MUST REMAIN  
WITHIN DIMENSIONS

DIMENSION STYLE MM ONLY	
DRAWN BY	DATE
G0H	1995/02/04
CHECKED BY	DATE
APPROVED BY	DATE
MATERIAL NO.	DOCUMENT NO.
SEE TABLE	SD-89400-**1*

SCALE	DESIGN UNITS METRIC	THIRD ANGLE PROJECTION
TITLE		
2.00MM WIRE-BOARD STRAIGHT HEADER		
MOLEX INCORPORATED		
SHEET NO.		
1 OF 1		