

PLEASE CHECK WWW.MOLEX.COM FOR LATEST PART INFORMATION

Part Number: [0877159910](#)
Status: **Active**
Overview:
Description: 1.00mm (.039") Pitch, PCI Express* Connector, 98 Circuits, Nylon 4/6 Glass-filled, Black Housing, Copper Alloy, 0.76µm (30µ") Gold (Au) Plating, with Beveled Metal Pins, 2.54mm (.100") Solder-tail, Lead Free

Agency Certification

CSA LR19980
 UL E29179

General

Product Family Edge Card Connectors
 Series 87715
 Comments PCI 8 lanes
 Component Type Edgecard to PCB
 Overview pci_express_card_edge_connector
 Product Name PCI Express*

Physical

Circuits (Loaded) 98
 Circuits (maximum) 98
 Circuits Detail All Signal
 Durability (mating cycles max) 50
 Entry Angle Vertical (Top Entry)
 Flammability 94V-0
 Keying to Mating Part Yes
 Material - Plating Mating Gold
 Material - Plating Termination Tin
 PC Tail Length (in) 0.100 In
 PC Tail Length (mm) 2.54 mm
 PCB Locator Yes
 PCB Retention Yes
 PCB Thickness Recommended (in) 0.062 In
 PCB Thickness Recommended (mm) 1.60 mm
 Packaging Type Tray
 Pitch - Mating Interface (in) 0.039 In
 Pitch - Mating Interface (mm) 1.00 mm
 Pitch - Term. Interface (in) 0.039 In
 Pitch - Term. Interface (mm) 1.00 mm
 Plating min: Mating (µin) 30
 Plating min: Mating (µm) 0.76
 Plating min: Termination (µin) 100
 Plating min: Termination (µm) 2.50
 Polarized to Mating Part Yes
 Temperature Range - Operating -55°C to +85°C
 Termination Interface: Style Through Hole

Electrical

Current - Maximum per Contact 1.1A
 Voltage - Maximum 50V AC (RMS)/DC

Material Info

Reference - Drawing Numbers

Packaging Specification PK-87715-204
 Product Specification PS-87715-200

EU RoHS
ELV and RoHS
Compliant
REACH SVHC
 Not Reviewed
Halogen-Free
Status
Not Reviewed

China RoHS



Need more information on product environmental compliance?

Email productcompliance@molex.com
 For a multiple part number RoHS Certificate of Compliance, [click here](#)

Please visit the [Contact Us](#) section for any non-product compliance questions.

Search Parts in this Series
 87715Series

Mates With
 PCI Express Card

Sales Drawing
Test Summary

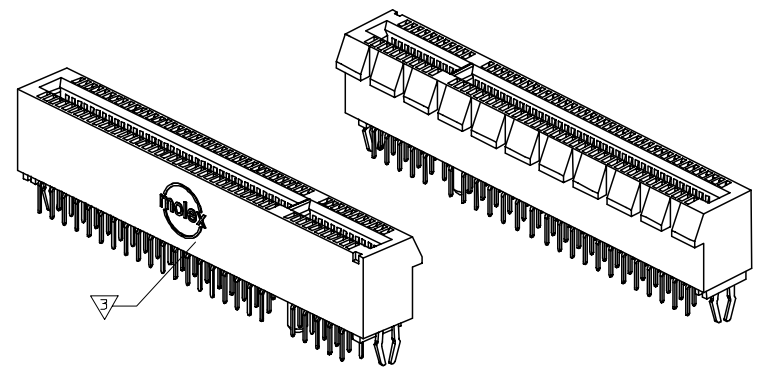
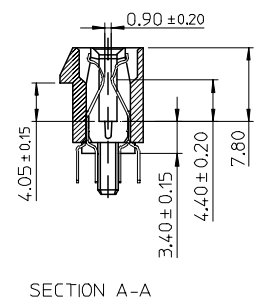
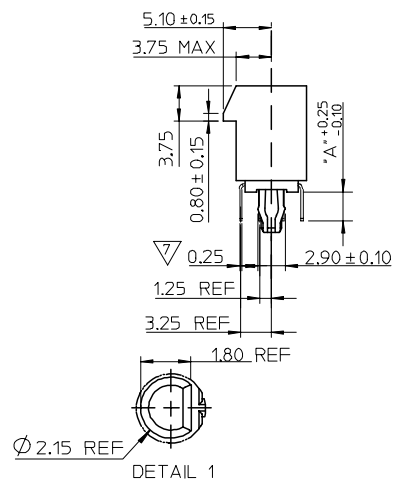
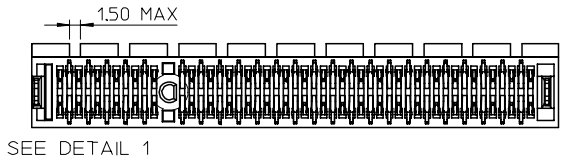
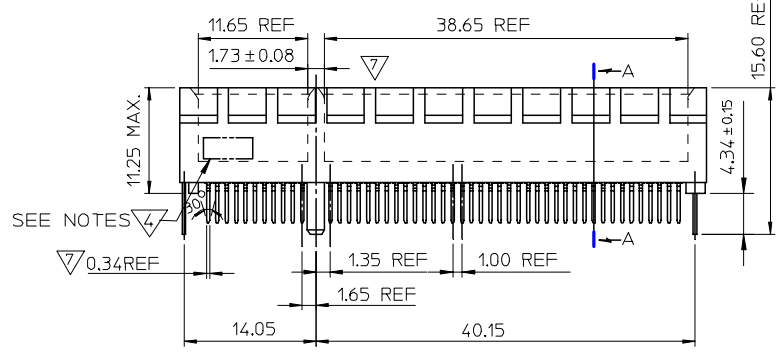
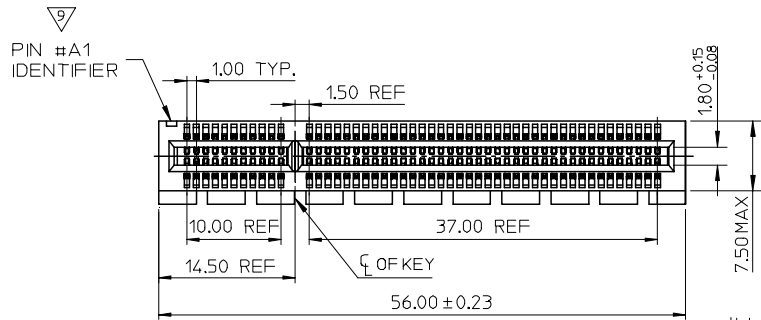
SD-87715-210
TS-87715-210

* PCI Express is a registered trademark of PCI-SIG®

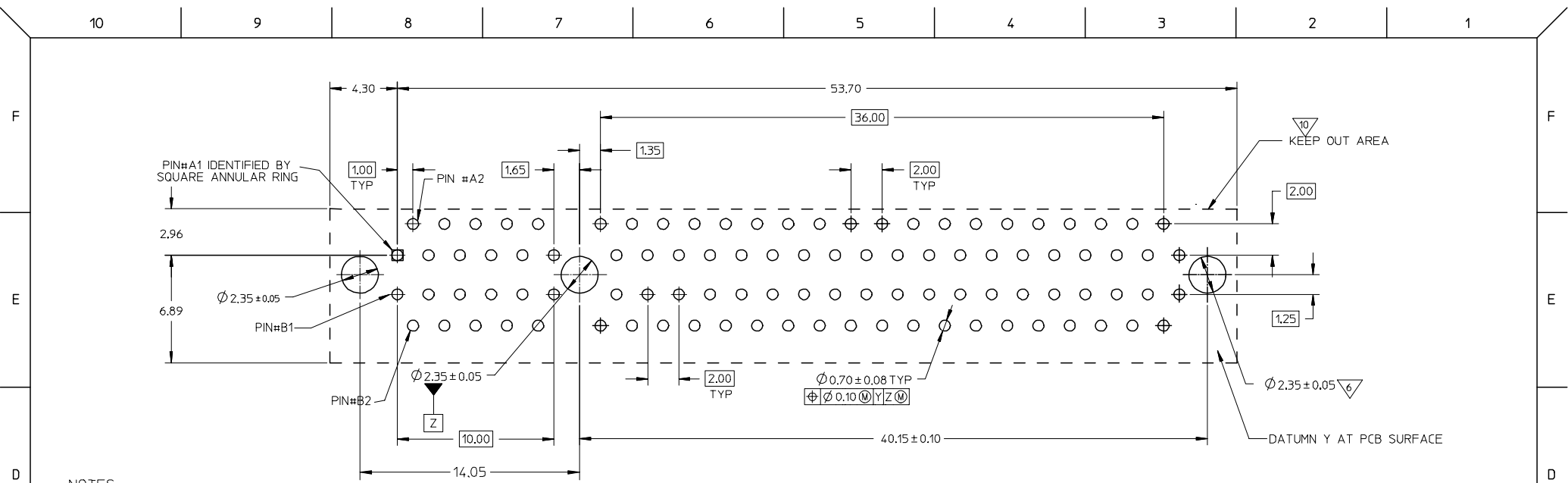
This document was generated on 06/04/2010

PLEASE CHECK WWW.MOLEX.COM FOR LATEST PART INFORMATION

PART NUMBER	DIM A	CONTACT AREA PLATING OPTION	SOLDER TAIL PLATING	PORT SIZE	TOTAL CKTS SIZE
87715-9910	2.54	30 MICROINCH GOLD PLATED	100 MICROINCH MIN TIN OVER NICKEL PLATED OVERALL	8	98
87715-9911	3.00	30 MICROINCH GOLD PLATED	100 MICROINCH MIN TIN OVER NICKEL PLATED OVERALL	8	98



NEW RELEASED EC NO: SH2006-0549 DRWN: ALLIN 2006/05/15 CHKD: 2006/05/15 APPR: WWSCHANG 2006/05/17	QUALITY SYMBOLS ▽=0 ◻=0	GENERAL TOLERANCES (UNLESS SPECIFIED)		DIMENSION STYLE MM ONLY		SCALE	DESIGN UNITS	THIRD ANGLE PROJECTION			
							METRIC				
						DRAWN BY DATE		TITLE			
						KEN LEE 2006/03/22		PCI EXPRESS X8 (98 CKTS) VERT DIP WITH BOARD LOCK (LEAD FREE VERSION)			
				CHECKED BY DATE		MOLEX INCORPORATED					
				ALLEN LIN 2006/03/22		MATERIAL NO.					
				APPROVED BY DATE		DOCUMENT NO.					
				WILSON CHANG 2006/03/22		SD-87715-210					
				ANGULAR ± 3 °		SHEET NO.					
				DRAFT WHERE APPLICABLE MUST REMAIN WITHIN DIMENSIONS		1 OF 3					
				SIZE A3		THIS DRAWING CONTAINS INFORMATION THAT IS PROPRIETARY TO MOLEX INCORPORATED AND SHOULD NOT BE USED WITHOUT WRITTEN PERMISSION					



NOTES:

1. MATERIALS: HOUSING - HIGH TEMPERATURE THERMOPLASTIC, GLASS FIBER FILLED, UL 94-V0 (BLACK)
TERMINAL - COPPER ALLOY
2. PLATING: CONTACT AREA - SEE TABLE IN SHEET 1
SOLDER TAILS - SEE TABLE IN SHEET 1
UNDERPLATING - SEE TABLE IN SHEET 1

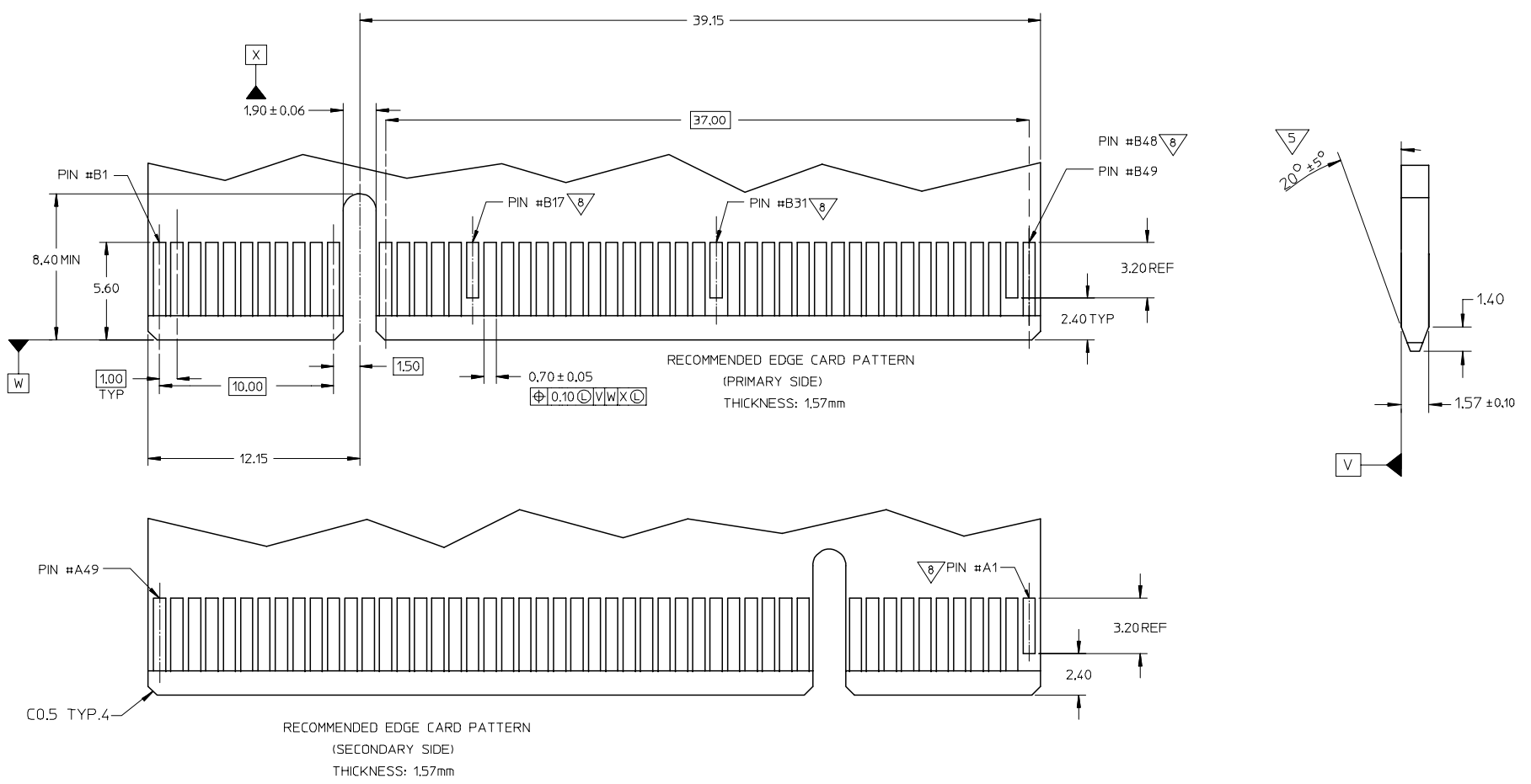
3. MOLEX LOGO
4. DATE CODE - TO BE PRINTED
5. CHAMFER EDGES OF EDGE CARD MUST BE FREE OF CUTTING BURRS
6. THE HORIZONTAL AXIS FOR THE FOOTPRINT HOLE PATTERN IS ESTABLISHED BY A LINE THROUGH THE CENTRE OF THE TWO $\phi 2.35$ HOLES. THE VERTICAL AXIS IS 90° TO THE HORIZONTAL AXIS, THROUGH THE CENTRE OF DATUM Z
7. FEATURES DESIGNED TO FUNCTIONALLY MATE/MOUNT(SLIP FIT) PER THE RECOMMENDED EDGE CARD AND PCB PATTERN.
8. PINS FOR HOT PLUG PRESENCE DETECTION. NO TIE BAR PERMITTED FROM CARD EDGE TO LEADING EDGE OF PAD FOR THE HOT PLUG PINS.
9. PIN #1 IDENTIFIER
10. KEEP OUT AREA - NO EXTERNAL COMPONENTS ALLOWED ON PCB SURFACE

11. PRODUCT SPECIFICATION REFER TO PS-87715-200.
12. PACKAGE SPECIFICATION REFER TO PK-87715-204.
13. TEST SUMMARY: REFER TO TS-87715-210.
14. LEAD FREE AND RoHS COMPLIANT PRODUCT.

RECOMMENDED P.C.B. PATTERN
(CONNECTOR SIDE)

THICKNESS: 1.57mm FOR 2.54mm SOLDER TAIL LENGTH
2.35mm FOR 3.00mm SOLDER TAIL LENGTH

SEE SHEET 1 EC NO: SH2006-0549 DRWN: ALLIN CHKD: APPR: WMSCHANG	2006/05/15 2006/05/15 2006/05/17	QUALITY SYMBOLS $\nabla = 0$ $\nabla \square = 0$	GENERAL TOLERANCES (UNLESS SPECIFIED)		DIMENSION STYLE	SCALE	DESIGN UNITS	THIRD ANGLE PROJECTION				
					MM ONLY	NTS	METRIC					
					mm	INCH	DRAWN BY		DATE		TITLE	
							KEN LEE		2006/03/22		PCI EXPRESS X8 (98 CKTS) VERT DIP WITH BOARD LOCK (LEAD FREE VERSION)	
				4 PLACES		± ---		± ---				
				3 PLACES		± ---		± ---				
				2 PLACES		± 0.25		± ---				
				1 PLACE		± 0.25		± ---				
				ANGULAR		± 3 °						
				DRAFT WHERE APPLICABLE MUST REMAIN WITHIN DIMENSIONS		SEE TABLE		MATERIAL NO.				
				SIZE		A3		APPROVED BY				
								DATE				
								WILSON CHANG 2006/03/22				
								DOCUMENT NO.				
								SD-87715-210				
								SHEET NO.				
								2 OF 3				
								THIS DRAWING CONTAINS INFORMATION THAT IS PROPRIETARY TO MOLEX INCORPORATED AND SHOULD NOT BE USED WITHOUT WRITTEN PERMISSION				



SEE SHEET 1	EC NO: SH2006-0549	2006/05/15
	DRWN: ALLIN	2006/05/15
	CHKD:	
	APPR: WMSCHANG	2006/05/17
	REV	DESCRIPTION

QUALITY SYMBOLS	▽ =
	∇ = 0

GENERAL TOLERANCES (UNLESS SPECIFIED)	DIMENSION STYLE	
	MM ONLY	
	mm	INCH
	4 PLACES	± ---
	3 PLACES	± ---
2 PLACES	± 0.25	
1 PLACE	± 0.25	
ANGULAR		± 3 °
DRAFT WHERE APPLICABLE MUST REMAIN WITHIN DIMENSIONS		

DRAWN BY	DATE
KEN LEE	2006/03/22
CHECKED BY	DATE
ALLEN LIN	2006/03/22
APPROVED BY	DATE
WILSON CHANG	2006/03/22
MATERIAL NO.	
SEE TABLE	

SCALE	DESIGN UNITS	THIRD ANGLE PROJECTION
NTS	METRIC	
TITLE		
PCI EXPRESS X8 (98 CKTS) VERT DIP WITH BOARD LOCK (LEAD FREE VERSION)		
MOLEX INCORPORATED		
DOCUMENT NO.	SHEET NO.	
SD-87715-210	3 OF 3	
THIS DRAWING CONTAINS INFORMATION THAT IS PROPRIETARY TO MOLEX INCORPORATED AND SHOULD NOT BE USED WITHOUT WRITTEN PERMISSION		