

**PLEASE CHECK WWW.MOLEX.COM FOR LATEST PART INFORMATION**

**Part Number:** [0358972411](#)  
**Status:** **Active**  
**Description:** 1.02/2.28mm (.040/.090") Tab, Hybrid Wire-to-Wire Housing, Male, 24 Circuits

**Documents:**

[3D Model](#) [Product Specification PS-35896-2090 \(PDF\)](#)  
[Drawing \(PDF\)](#) [RoHS Certificate of Compliance \(PDF\)](#)

**General**

Product Family Crimp Housings  
 Series [35897](#)  
 Product Name N/A

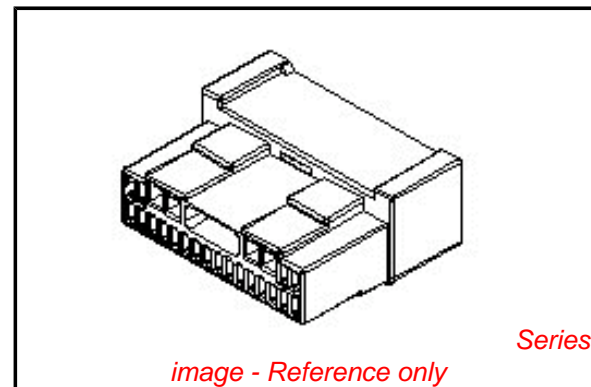
**Physical**

Circuits (maximum) 24  
 Color - Resin Black, Yellow  
 Gender Male  
 Glow-Wire Compliant No  
 Material - Resin Polyester  
 Number of Rows 2  
 Packaging Type Bag  
 Panel Mount Yes  
 Pitch - Mating Interface (in) 0.098 In  
 Pitch - Mating Interface (mm) 2.50 mm  
 Stackable No  
 Temperature Range - Operating -40°C to +80°C

**Material Info**

**Reference - Drawing Numbers**

Product Specification PS-35896-2090  
 Sales Drawing SD-35897-002



**EU RoHS**

**ELV and RoHS Compliant**  
**REACH SVHC**  
 Not Reviewed  
**Halogen-Free Status**

**China RoHS**



**Need more information on product environmental compliance?**

Email [productcompliance@molex.com](mailto:productcompliance@molex.com)  
 For a multiple part number RoHS Certificate of Compliance, [click here](#)

Please visit the [Contact Us](#) section for any non-product compliance questions.

**Search Parts in this Series**

[35897Series](#)

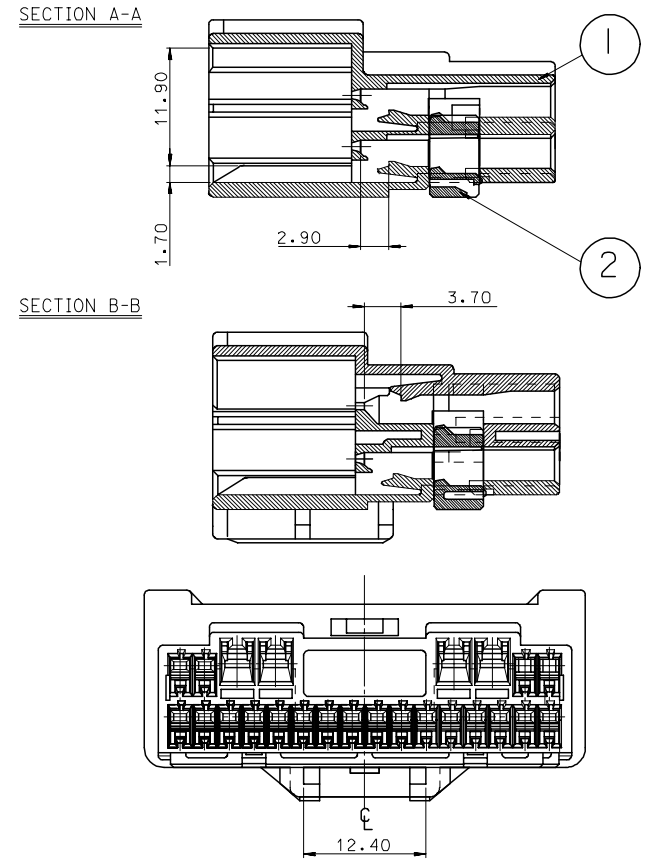
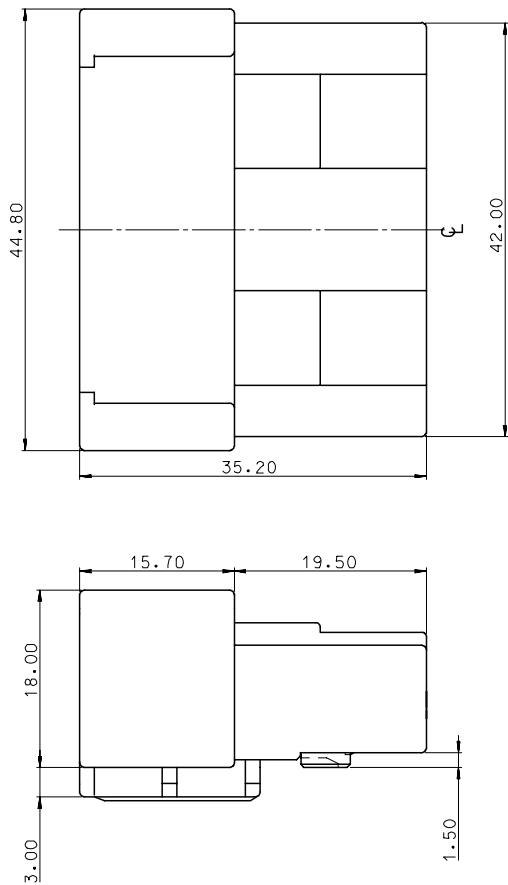
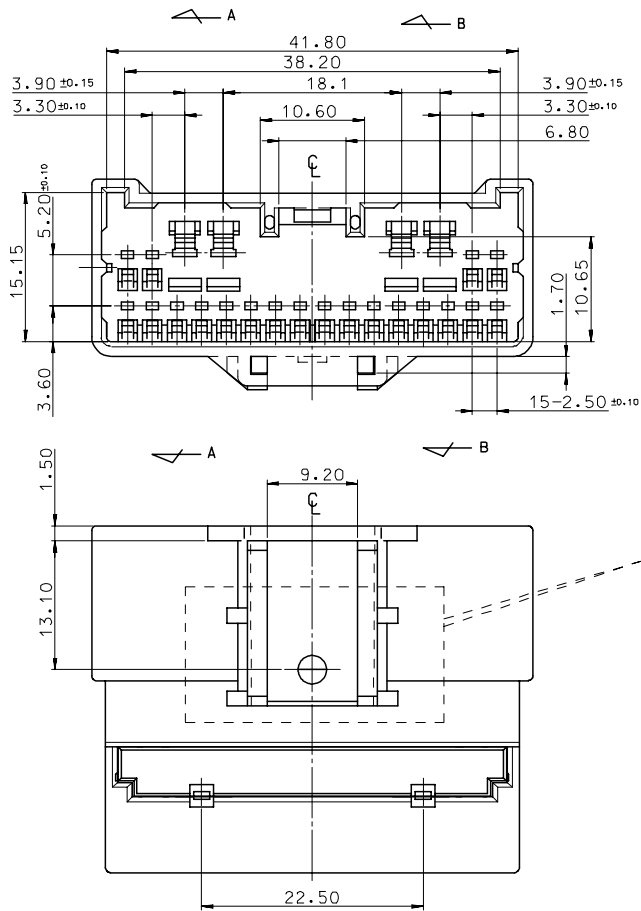
**Mates With**

[35896](#)

**Use With**

[50654](#) , [50660](#)

NO.	PART NO.	PART NAME	MATERIAL	REMARK
I-1	35897-2490	.040/090 M/HSG 24P	POLYESTER	WHITE
I-2	35897-2491	.040/090 M/HSG 24P	POLYESTER	BLACK
I-3	35897-2495	.040/090 M/HSG 24P	POLYESTER	GRAY
2	35897-2483	.040/090 MALE TPA 24P	POLYESTER	YELLOW



NOTE  
 1. MATERIAL & FINISH: SEE TABLE  
 2. APPLICATION: .040/090 FEMALE HOUSING ASS'Y 24P(ENG. NO.:35896-2410)

3	358972415	35897-2415
2	358972411	35897-2411
1	358972410	35897-2410
NO.	MATERIAL NO.	ENG. NO.

REVISED EC NO: KOR2007-0048 DRW: ECKIM 2007/03/07 CHK: B.C. YOON 2007/03/07 APPR: YUNSIKKIM 2007/03/23	QUALITY SYMBOLS ▽=0 ∇=0	GENERAL TOLERANCES (UNLESS SPECIFIED)	DIMENSION STYLE MM ONLY		SCALE 2:1	DESIGN UNITS METRIC	THIRD ANGLE PROJECTION		
		4 PLACES ± --- ± --- 3 PLACES ± --- ± --- 2 PLACES ± 0.2 ± --- 1 PLACE ± 0.3 ± --- ANGULAR ± 1 °	mm	INCH	DRAWN BY HC.RHO	DATE 00/06/08	TITLE .040/090 MALE HSG ASS'Y 24P	MOLEX INCORPORATED	
D	REV	DRAFT WHERE APPLICABLE MUST REMAIN WITHIN DIMENSIONS		MATERIAL NO. SEE TABLE		DOCUMENT NO. SD-35897-002	SHEET NO. 1 OF 01		
		THIS DRAWING CONTAINS INFORMATION THAT IS PROPRIETARY TO MOLEX INCORPORATED AND SHOULD NOT BE USED WITHOUT WRITTEN PERMISSION							