

**PLEASE CHECK WWW.MOLEX.COM FOR LATEST PART INFORMATION**

**Part Number:** [0351890110](#)  
**Status:** **Active**  
**Description:** 4.75mm (.187") Tab, MP-Lock™ Housing, 1 Circuit, UL94V-2, Natural

**Documents:**

[3D Model](#) [Product Specification PS-35189-001 \(PDF\)](#)  
[Drawing \(PDF\)](#) [RoHS Certificate of Compliance \(PDF\)](#)

**Agency Certification**

UL E29179

**General**

Product Family Crimp Housings  
 Series [35189](#)  
 Product Name MP-Lock™

**Physical**

Breakaway No  
 Circuits (maximum) 1  
 Color - Resin Natural  
 Flammability 94V-2  
 Gender Female  
 Glow-Wire Compliant No  
 Keying to Mating Part None  
 Lock to Mating Part None  
 Material - Resin Nylon  
 Number of Rows 1  
 Packaging Type Bag  
 Panel Mount No  
 Pitch - Mating Interface (in) 0.000 In  
 Pitch - Mating Interface (mm) 0.00 mm  
 Polarized to Mating Part Yes  
 Stackable No  
 Temperature Range - Operating -40°C to +105°C

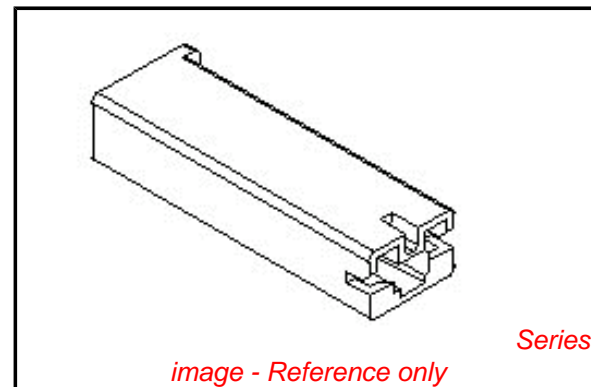
**Electrical**

Current - Maximum per Contact 12A

**Material Info**

**Reference - Drawing Numbers**

Product Specification PS-35189-001, RPS-35068-001  
 Sales Drawing SD-35189-0110



**EU RoHS**

**ELV and RoHS  
Compliant**

**REACH SVHC**

**Contains SVHC: No**

**Halogen-Free**

**Status**

**Halogen-Free**

**China RoHS**



**Need more information on product  
environmental compliance?**

Email [productcompliance@molex.com](mailto:productcompliance@molex.com)  
 For a multiple part number RoHS Certificate of  
 Compliance, [click here](#)

Please visit the [Contact Us](#) section for any  
 non-product compliance questions.

**Search Parts in this Series**

[35189Series](#)

**Mates With**

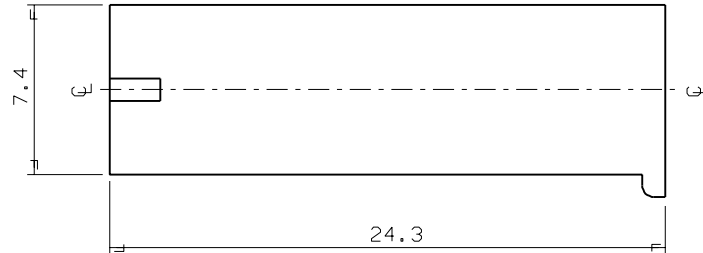
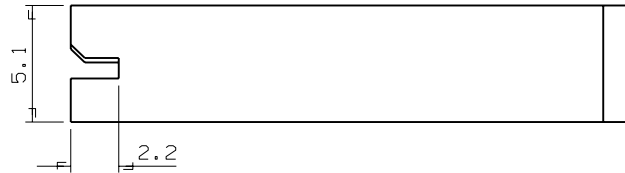
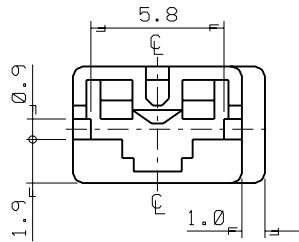
Appliance Timer|Appliance Capacitor|  
 Appliance Heater

**Use With**

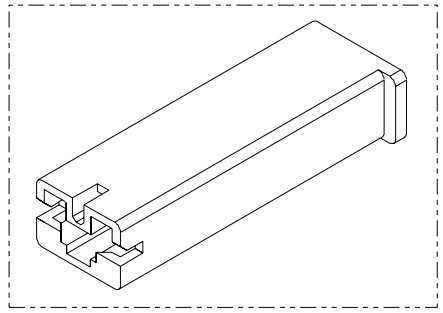
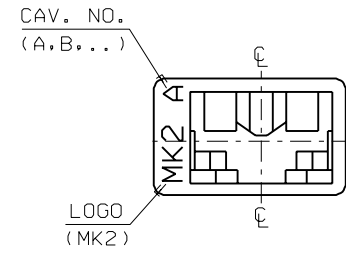
[35068](#) MP-Lock™ Quick Disconnect

PROJECT NO. .187 MP-LOCK CONN' EDP NO. SD 35189-011 •

8 7 6 5 4 3 2 1



- NOTES
- MATERIAL : NYLON 66  
35189-0110 (UL94V-2)  
35189-0111 (UL94V-0)
  - COLOR : NATURAL
  - APPLICABLE TERMINAL : 35068-9\*\*2



				MATERIAL	SEE NOTES	MOLEX-KOREA CO.,LTD.	
				GENERAL TOLERANCE	DIMENSION : ±0.3		
C	REVISED	96-137	96-12-24	ANGLE : °1'		J. S. KANG	
B	REVISED		96-9-20	DIMENSION CLASSIFICATION	▽ : CRITICAL ▼ : MAJOR	APP'D BY	SCALE
A	NEW RELEASED		96-4-25	( ) : REFERENCE			5/1
LTR	REVISION RECORD	ECN	DATE	ASS'Y PART	DESCRIPTION	TITLE :	
				ENG. NO.		.187 MP-LOCK HSG-1P	
REVISE ONLY ON CAD SYSTEM				---	---	ENG. NO.	REV
						SD 35189-011 •	C