

PLEASE CHECK WWW.MOLEX.COM FOR LATEST PART INFORMATION

Part Number: [0191890017](#)
Status: **Active**
Description: Krimptite™ Butt Splice for 10-12 AWG Wire

Documents:

[Drawing \(PDF\)](#) [RoHS Certificate of Compliance \(PDF\)](#)

Agency Certification

CSA LR18689
 UL E32244

General

Product Family Splices
 Series [19189](#)
 Crimp Quality Equipment Yes
 Mil-Spec N/A
 Product Name Butt, Krimptite™

Physical

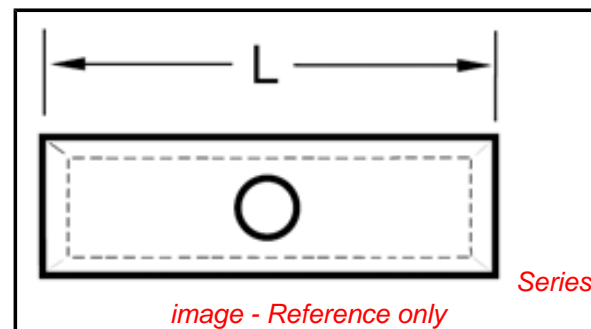
Barrel Type Closed
 Insulation None
 Material - Metal Copper
 Packaging Type Adhesive Tape on Reel
 Wire Size AWG 10, 12

Material Info

Old Part Number C-146T

Reference - Drawing Numbers

Sales Drawing SD-19189-008



EU RoHS

**ELV and RoHS
 Compliant**

REACH SVHC

Contains SVHC: No

Halogen-Free

Status

Not Reviewed

China RoHS



**Need more information on product
 environmental compliance?**

Email productcompliance@molex.com
 For a multiple part number RoHS Certificate of
 Compliance, [click here](#)

Please visit the [Contact Us](#) section for any
 non-product compliance questions.

Search Parts in this Series

[19189Series](#)

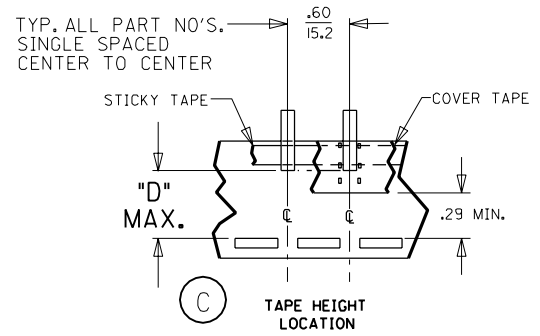
Application Tooling | [FAQ](#)

*Tooling specifications and manuals are
 found by selecting the products below.
 Crimp Height Specifications are then
 contained in the Application Tooling
 Specification document.*

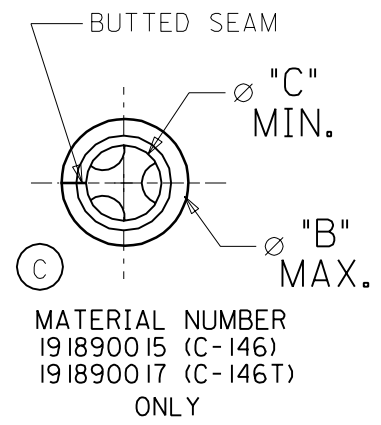
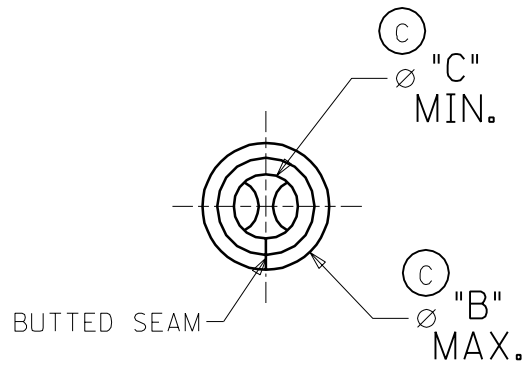
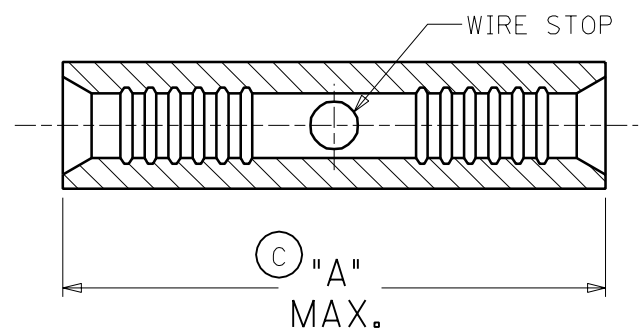
Global

Description	Product #
ATP Perishable Tool Kit, Used in ATP Presses that Process Product on Tape	0190270088
Mini-Mac™ Applicator	0638851000

MATERIAL NO.	ENG. NO.	WIRE AWG MARKING	DESCRIPTION	DIM. "A"	DIM. "B" OD	DIM. "C" ID	DIM. "D"
191890002	A-145	22-18	LOOSE PIECE	.580 (14.70)	.131 (3.33)	.055 (1.40)	-----
191890008	B-131	16-14	LOOSE PIECE	.580 (14.70)	.163 (4.14)	.078 (1.98)	-----
191890015	C-146	12-10	LOOSE PIECE	.585 (14.90)	.225 (5.71)	.124 (3.15)	-----
191890004	A-145T	22-18	TAPE MOUNTED	.580 (14.70)	.131 (3.33)	.055 (1.40)	.610 (15.49)
191890010	B-131T	16-14	TAPE MOUNTED	.580 (14.70)	.163 (4.14)	.078 (1.98)	.655 (16.64)
191890017	C-146T	12-10	TAPE MOUNTED	.585 (14.90)	.225 (5.71)	.124 (3.15)	.655 (16.64)



(C)



NOTE(S):
 1. MATERIAL: COPPER
 2. PLATING: ELECTRO-TIN

WIRE SIZE: 22-18 AWG.
 0.25-1.3 MM²
 WIRE SIZE: 16-14 AWG.
 1.0-2.6 MM²
 WIRE SIZE: 12-10 AWG.
 4.0-6.0 MM²

DIM. CHANGES & UPDATES EC NO. ETC2003-0167 DRWN: DLM 03/01/24 CHK: SB 03/01/24 APPR: RWD 03/01/24	QUALITY SYMBOLS	MAJOR	DESCRIPTION
		▲ = 0	
		▽ = 0	
		∇ = 0	
REV			

GENERAL TOLERANCES: (UNLESS SPECIFIED)		SCALE	DESIGN UNITS
4 PLACES	±0.-----	5:1	<input type="checkbox"/> mm <input checked="" type="checkbox"/> INCH
3 PLACES	±0.---		
2 PLACES	±0.---		
1 PLACE	±0.---		
ANGULAR: ± °		DRAWN BY & DATE	
DRAFT WHERE APPLICABLE MUST REMAIN WITHIN DIMENSIONS		DLM 03/01/24	

DIMENSIONS:		SHT	REV
<input type="checkbox"/> mm	<input checked="" type="checkbox"/> INCH		
<input type="checkbox"/> mm ONLY			REVISE ON CAD ONLY
TITLE: BUTT CONNECTOR			
KRIMPTITE			
22-18, 16-14, & 12-10 AWG			
MOLEX INCORPORATED			
CAD FILENAME	MATERIAL NO.	DRAWING NO.	SHEET NO.
SD19189008.DGN	(SEE CHART)	SD-19189-008	1 OF 1
THIS DRAWING CONTAINS INFORMATION THAT IS PROPRIETARY TO MOLEX INCORPORATED AND SHOULD NOT BE USED WITHOUT WRITTEN PERMISSION.			SIZE A

SALES DRAWING