

PLEASE CHECK WWW.MOLEX.COM FOR LATEST PART INFORMATION

Part Number: [0002081001](#)
Status: **Active**
Overview: [mlx](#)
Description: MLX Crimp Terminal 42024, 14-20 AWG, Reel, Tin (Sn)

Documents:

[Drawing \(PDF\)](#) [RoHS Certificate of Compliance \(PDF\)](#)
[Product Specification PS-42022-0001 \(PDF\)](#)

General

Product Family	Crimp Terminals
Series	42024
Crimp Quality Equipment	Yes
Overview	mlx
Product Name	MLX™

Physical

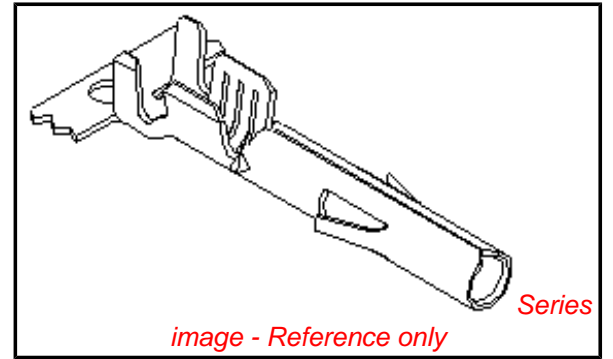
Gender	Female
Material - Metal	Brass
Material - Plating Mating	Tin
Material - Plating Termination	Tin
Packaging Type	Reel
Plating min: Mating (µin)	20
Plating min: Mating (µm)	0.50
Plating min: Termination (µin)	20
Plating min: Termination (µm)	0.50
Termination Interface: Style	Crimp or Compression
Wire Insulation Diameter	1.52-3.30mm (.060-.130")
Wire Size AWG	14, 16, 18, 20
Wire Size mm²	N/A

Material Info

Old Part Number	42024-1A1
-----------------	-----------

Reference - Drawing Numbers

Product Specification	PS-42022-0001
Sales Drawing	SD-42024-****



EU RoHS

**ELV and RoHS
Compliant**
**REACH SVHC
Contains SVHC: No**
**Halogen-Free
Status
Halogen-Free**

China RoHS



**Need more information on product
environmental compliance?**

Email productcompliance@molex.com
 For a multiple part number RoHS Certificate of Compliance, [click here](#)

Please visit the [Contact Us](#) section for any non-product compliance questions.

Search Parts in this Series

[42024Series](#)

Application Tooling | [FAQ](#)

Tooling specifications and manuals are found by selecting the products below. Crimp Height Specifications are then contained in the Application Tooling Specification document.

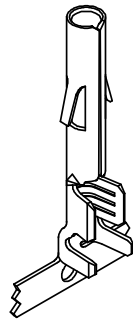
Global

Description	Product #
FineAdjust™ Applicator for MXL™ Crimp Terminals, 14-20 AWG wire with 2.08 to 2.50mm dia. Insulation	0639007500
FineAdjust™ Applicator for MXL™ Crimp Terminals, 14-20 AWG wire with 2.41 to 2.95mm dia. Insulation	0639009800
FineAdjust™ Applicator for MXL™	0639009900

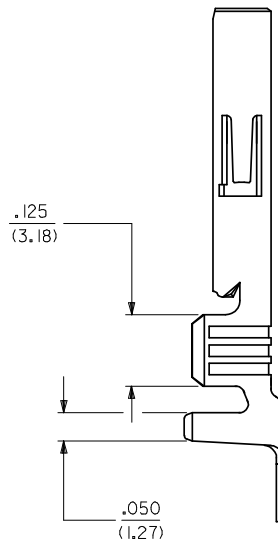
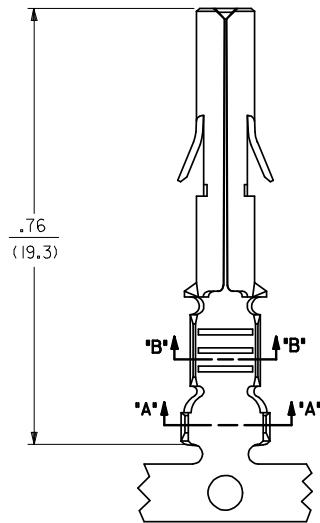
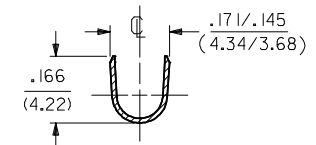
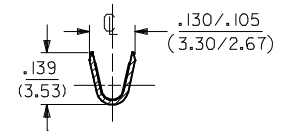
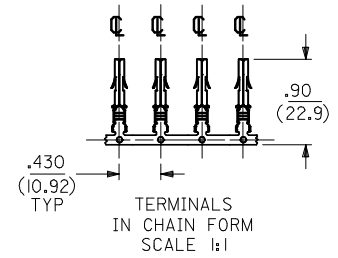
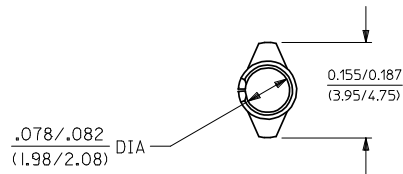
Crimp Terminals, 14-20 AWG wire with 2.65 to 3.30mm dia. Insulation Tooling Kit for MiniFit Compliant Pin Insertion	<u>0639107500</u>
T2 Terminator Tooling Die for MLX™ Crimp Terminals, 14-20 AWG	<u>0639109800</u>
T2 Terminator Tooling Die for MLX™ Crimp Terminals, 14-20 AWG	<u>0639109900</u>
HAND CRIMP TOOL Extraction Tool	<u>0638116800</u> <u>0011010168</u>

This document was generated on 05/17/2010

PLEASE CHECK WWW.MOLEX.COM FOR LATEST PART INFORMATION



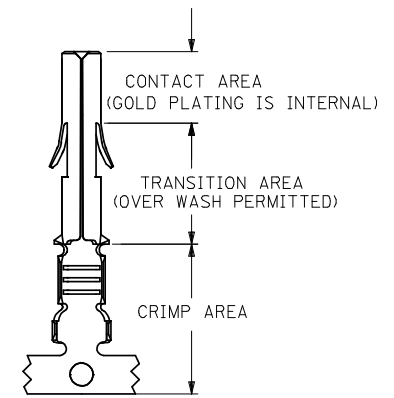
SOCKET TERMINAL
42024-***



SEE SHEET 2 FOR CHART, MATERIAL, PLATING, NOTES, AND CRIMP OPTIONS

ENTER DESCRIPTION EC NO: 12008-0359 DRAWN BY: 2008/03/03 CHKD: VINU 2008/03/03 APPR: KPRASAD 2008/03/03	QUALITY SYMBOLS ▽=0 ▽=0	GENERAL TOLERANCES (UNLESS SPECIFIED)		DIMENSION STYLE IN/MM	SCALE 4:1	DESIGN UNITS INCH	THIRD ANGLE PROJECTION
		mm	INCH	DRAWN BY SUDHIR	DATE 2004/09/27	TITLE RMINAL, SOCKET 84/(2.13) DIA. SERIES	
		4 PLACES	± --- ± ---	CHECKED BY KPRASAD	DATE 2004/09/27	MATERIAL NO. MOLEX INCORPORATED	
		3 PLACES	± --- ± .010	APPROVED BY KPRASAD	DATE 2004/09/27	DOCUMENT NO. SD-42024-****	SHEET NO. 1 OF 2
		2 PLACES	± 0.25 ± .015	DRAFT WHERE APPLICABLE MUST REMAIN WITHIN DIMENSIONS			
		1 PLACE	± 0.38 ± ---	SEE CHART			
		ANGULAR ±1/2°		THIS DRAWING CONTAINS INFORMATION THAT IS PROPRIETARY TO MOLEX INCORPORATED AND SHOULD NOT BE USED WITHOUT WRITTEN PERMISSION			

ENG. NO.	EDP NO.	FINISH (REF)	CONTACT AREA (REF)	CRIMP AREA (REF)	MATERIAL (REF)	WIRE SIZE	INSULATION DIA.
42024-IA1	002-08-1001	SDES-88-P901	----	----	C26000	#14-#20 AWG	.060-.130
42024-IA1L	002-08-1002	SDES-88-P901	----	----	C26000	#14-#20 AWG	.060-.130
42024-IB1	002-08-1003	SDES-88-P901	----	----	C51000	#14-#20 AWG	.060-.130
42024-IB1L	002-08-1004	SDES-88-P901	----	----	C51000	#14-#20 AWG	.060-.130
42024-IA2	002-08-1005	SEE NOTE 5	.000030 MIN GOLD	.000100 MIN MATTE TIN	C26000	#14-#20 AWG	.060-.130
42024-IA2L	002-08-1006	SEE NOTE 5	.000030 MIN GOLD	.000100 MIN MATTE TIN	C26000	#14-#20 AWG	.060-.130
42024-IB2	002-08-1007	SEE NOTE 5	.000030 MIN GOLD	.000100 MIN MATTE TIN	C51000	#14-#20 AWG	.060-.130
42024-IB2L	002-08-1008	SEE NOTE 5	.000030 MIN GOLD	.000100 MIN MATTE TIN	C51000	#14-#20 AWG	.060-.130

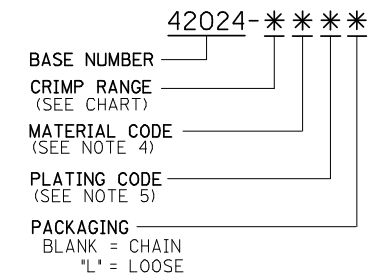


PLATING REGIONS
APPLIES TO GOLD PLATED TERMINALS ONLY

NOTES:

- SOCKET TERMINALS FOR USE WITH THE .084/(2.13) SERIES HOUSINGS:
PLUG (42021-**)
CAP (42022-**)
- SOCKET TERMINALS MATE WITH PIN TERMINALS: .084/(2.13) DIA. SERIES (42023-****).
- TERMINALS FINISHED IN CHAIN UNLESS SPECIFIED LOOSE. 'L' SUFFIX INDICATES LOOSE FORM. (SEE TABLE)
- MATERIAL: .012/(0.30) THICK STRIP:
A = BRASS, *C26000, PER SMES-124-C7.
B = PHOSPHOR BRONZE, *C51000, PER SMES-124-E7.
- FINISH:
1 = HOT TIN DIP 20 m.l./(.51 MICRONS) MINIMUM (PER SDES-88-P901).
2 = 30 (M.I) / 0.75 MICRONS) MIN SELECT GOLD AND 100 (M.I) (2.50 MICRON) MIN SELECT TIN (MATTE) OVER 50 (M.I) (1.25 MICRONS) MIN NICKEL OVERALL
- CRIMP RANGE: SEE CHART.
- PRODUCT SPECIFICATION PS-42022-0001 APPLIES.

LEGEND:



ENTER DESCRIPTION EC NO: 12008-0359 DRW: SUDHIR 2008/03/03 CHKD: VINU 2008/03/03 APPR: KPRASAD 2008/03/03 REV	QUALITY SYMBOLS ▽=0 ▽=0	GENERAL TOLERANCES (UNLESS SPECIFIED) <table border="1"> <thead> <tr> <th></th> <th>mm</th> <th>INCH</th> </tr> </thead> <tbody> <tr> <td>4 PLACES</td> <td>±.005</td> <td>±.0005</td> </tr> <tr> <td>3 PLACES</td> <td>±.005</td> <td>±.0005</td> </tr> <tr> <td>2 PLACES</td> <td>±.005</td> <td>±.0005</td> </tr> <tr> <td>1 PLACE</td> <td>±.005</td> <td>±.0005</td> </tr> <tr> <td colspan="3">ANGULAR ±.005°</td> </tr> </tbody> </table>		mm	INCH	4 PLACES	±.005	±.0005	3 PLACES	±.005	±.0005	2 PLACES	±.005	±.0005	1 PLACE	±.005	±.0005	ANGULAR ±.005°			DIMENSION STYLE IN/MM	SCALE ---	DESIGN UNITS INCH	THIRD ANGLE PROJECTION
		mm	INCH																					
	4 PLACES	±.005	±.0005																					
	3 PLACES	±.005	±.0005																					
2 PLACES	±.005	±.0005																						
1 PLACE	±.005	±.0005																						
ANGULAR ±.005°																								
DRAFT WHERE APPLICABLE MUST REMAIN WITHIN DIMENSIONS		DRAWN BY: SUDHIR DATE: 2004/09/27	CHECKED BY: KPRASAD DATE: 2004/09/27	TITLE: RMINAL, SOCKET 84/(2.13) DIA. SERIES																				
MATERIAL NO. SEE CHART		APPROVED BY: KPRASAD DATE: 2004/09/27	MOLEX INCORPORATED																					
SIZE: A2 THIS DRAWING CONTAINS INFORMATION THAT IS PROPRIETARY TO MOLEX INCORPORATED AND SHOULD NOT BE USED WITHOUT WRITTEN PERMISSION		DOCUMENT NO. SD-42024-****		SHEET NO. 2 OF 2																				