

PLEASE CHECK WWW.MOLEX.COM FOR LATEST PART INFORMATION

Part Number: [1044408041](#)
Status: **Active**
Description: 2.00mm (.079") Pitch Crimp Terminal, Female, 24-30 AWG, Reel

Documents:

[Drawing \(PDF\)](#) [RoHS Certificate of Compliance \(PDF\)](#)
[Product Specification PS-104440-001 \(PDF\)](#)

General

Product Family	Crimp Terminals
Series	104440
Crimp Quality Equipment	Yes
Product Name	N/A

Physical

Durability (mating cycles max)	30
Gender	Female
Material - Metal	Phosphor Bronze
Material - Plating Mating	Tin
Material - Plating Termination	Tin
Packaging Type	Reel
Termination Interface: Style	Crimp or Compression
Wire Insulation Diameter	1.45mm (.057") max.
Wire Size AWG	24, 26, 28, 30
Wire Size mm ²	N/A

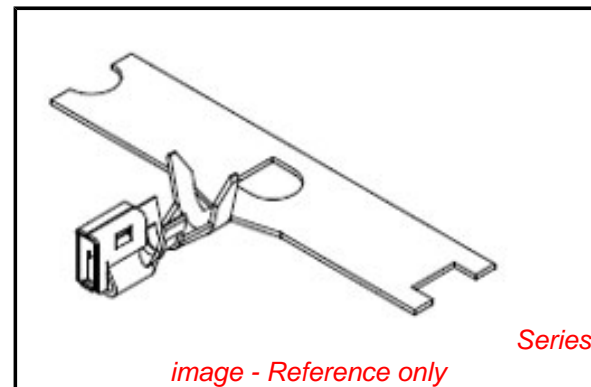
Electrical

Current - Maximum per Contact	2A
Voltage - Maximum	600V

Material Info

Reference - Drawing Numbers

Product Specification	PS-104440-001
Sales Drawing	SD-104440-001



EU RoHS

**ELV and RoHS
Compliant**

REACH SVHC

Contains SVHC: No

Halogen-Free

Status

Halogen-Free

China RoHS



**Need more information on product
environmental compliance?**

Email productcompliance@molex.com
 For a multiple part number RoHS Certificate of
 Compliance, [click here](#)

Please visit the [Contact Us](#) section for any
 non-product compliance questions.

Search Parts in this Series

[104440Series](#)

Mates With

[87369](#) 2.00mm (.079") Pitch Crimp Housing .
[35507](#) Sherlock™ Wire-to-Board Housing

Application Tooling | FAQ

*Tooling specifications and manuals are
 found by selecting the products below.
 Crimp Height Specifications are then
 contained in the Application Tooling
 Specification document.*

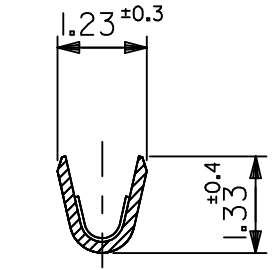
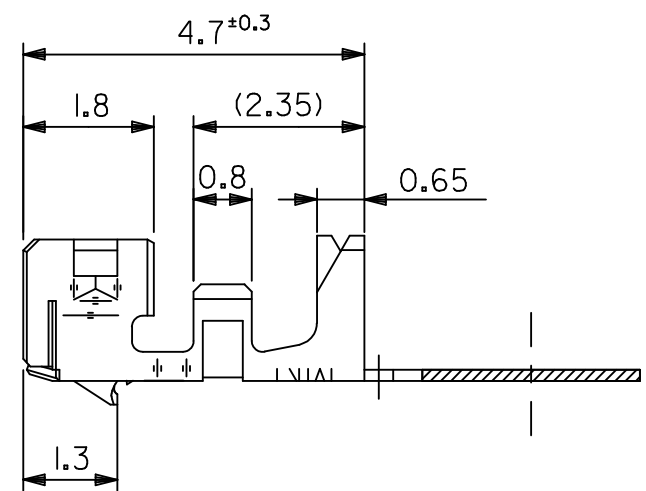
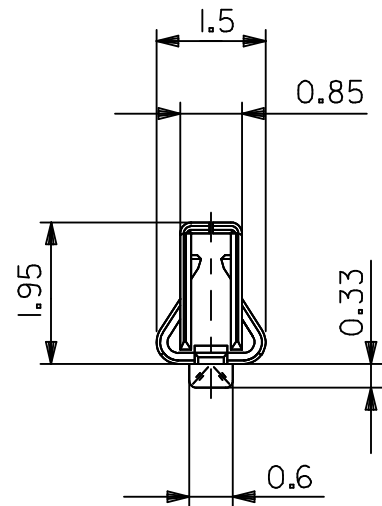
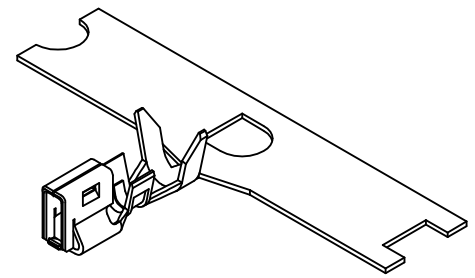
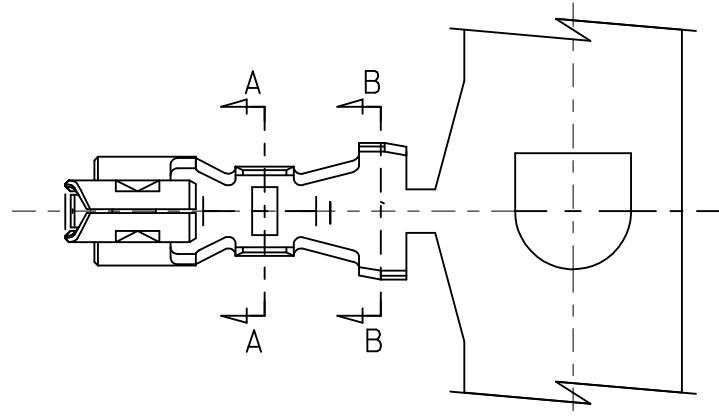
Global

Description	Product #
FineAdjust™ Applicator for 2.00mm (.079") Wire-to-Board Terminals, 24-30 AWG	0639012000

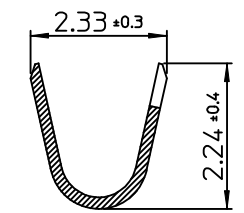
PLEASE CHECK WWW.MOLEX.COM FOR LATEST PART INFORMATION

NOTES.

1. MATERIAL : PHOSPHOR BRONZE
2. FINISH : TIN PLATED.
3. MATED PART : 87369-***0*, 35507-***0*
4. PRODUCT SPECIFICATION : PS-104440-001
5. PACKAGING SPECIFICATION : PK-104440-001



SECT. A-A



SECT. B-B

TABLE

104440-8041	1044408041
Eng.No	Order No.

NEW RELEASED EC NO: KOR2009-0031 DRWN:SKHAN01 CHKD:WY YANG APPR:YUNSIKKIM	2008/09/17 2008/09/17 2008/09/17	DESCRIPTION QUALITY SYMBOLS ▽=0 ◻=0	GENERAL TOLERANCES (UNLESS SPECIFIED)		DIMENSION STYLE MM ONLY		SCALE ---	DESIGN UNITS METRIC	THIRD ANGLE PROJECTION		
				mm	INCH	DRAWN BY SK. HAN	DATE 2008/09/17	TITLE 2.0MM REC'S TERMINAL FOR 1.45 OD CABLE			
			4 PLACES	± ---	± ---	CHECKED BY WY. YANG	DATE 2008/09/17	MOLEX INCORPORATED DOCUMENT NO. SD-104440-001 SHEET NO. 1 OF 01			
			3 PLACES	± ---	± ---	APPROVED BY EH. JUNG	DATE 2008/09/17				
2 PLACES	± 0.3	± ---	ANGULAR ± 1 °		MATERIAL NO.		SEE TABLE				
1 PLACE	± 0.3	± ---	DRAFT WHERE APPLICABLE MUST REMAIN WITHIN DIMENSIONS		SIZE A3		THIS DRAWING CONTAINS INFORMATION THAT IS PROPRIETARY TO MOLEX INCORPORATED AND SHOULD NOT BE USED WITHOUT WRITTEN PERMISSION				