



SCG9910 Microcontroller Specification

FEATURE SUMMARY

Technology

- CMOS technology.

CPU

- 8-bit CPU core.
- 128 powerful and easy-to-use instruction set.

Memory

- Internal ROM: 48K x 8, 16K x 8 for program and data, 32K x 8 for data only.
- Internal RAM: 128 x 8
- Memory is organized as 16K-byte page.

I/O Structure

- Memory mapped I/O structure.

Oscillation Frequency

- RC Oscillator for the main system clock up to 4MHz, instruction cycle ~0.5us.
- Subsystem clock frequency of 32.768kHz for real time timer.

Power Down

- Stop mode (Stop oscillation)

Interrupts

- 2 timer interrupts.
- 1 real time interrupt.
- 1 external event interrupt.
- 1 software interrupt.

I/O ports

- 2 8-bit programmable I/O ports.
- 1 7-bit output port.

Timer

- 2 8-bit pre-scalar auto reload timers which can be cascaded to form one 16-bit timer.
- 1 real time timer.
- 1 watch dog timer.

Speech

- ADPCM technology for voice and sound effect.
- Total speech length depends on the data rate chosen:
 - 11 sec for 32kbps data
 - 12.5 sec for 28kbps data
 - 14.6 sec for 24kbps data
- Direct drive of speaker.
- Dual channels supported.

Operating Voltage

- 2.4V to 5.5V.



Function Overview

Program Memory Map

RAM Area:

<i>Address</i>	<i>Description</i>
\$00-\$0F	H/W registers and I/Os
\$10-\$7F	Reserved
\$80-\$FF	Data memory and Stack

Figure 1. Memory map in RAM area

ROM Area:

<i>Physical Address</i>	<i>Description</i>
\$0000-\$3BFF	Page 0 (Program and Data) Program Reset address at \$0000
\$3C00-\$3FFF	IC Test Program
\$4000-\$7FFF	Page 1 – data only
\$8000-\$BFFF	Page 2 – data only
\$C000-\$FFBF	Reserved
\$FFC0-\$FFFF	Page 3 Software interrupt at \$FFC0 External interrupt at \$FFD0 Timer 1 interrupt at \$FFE0 Timer 0/RTC interrupt at \$FFF0

Figure 2. Memory map in ROM area

CPU core

An 8-bit accumulator based CPU core can directly address up to 64 x 16K byte addressing space. Most of the instructions are executed in two cycles. Instruction is generally one byte and will have an extra byte for some addressing modes.

CPU Registers:

Program Counter (PC)

The 14-bit Program Counter stores address for instruction fetch during program execution. It makes up a page size of 16K bytes. Together with the Program Page Register (iPAGE), it becomes a 20-bit address that can access up to 1,048,576 bytes. When the CPU resets, the content of the iPAGE:PC will be 00:0000. If interrupt occurs, the type of interrupt will then determine its content. PC will automatically be incremented to the next instruction after an instruction fetch.

Table 1. Different types of interrupt

Interrupt	IPAGE:PC
Timer 0 / RTC Interrupt	3H:3FF0H
Timer 1 Interrupt	3H:3FE0H
External Interrupt	3H:3FD0H
Software Interrupt	3H:3FC0H

Page Register (PAGE)

An 8-bit Page Register to change the program flow. The most significant two bits are always set to zero.

Data Bank Register (BANK)

An 8-bit Bank Register to access data memory. The most significant two bits are always set to zero.

Program Page Register (iPAGE)

An 8-bit Program Page Register is combined with PC for instruction fetch. The most significant two bits are always set to zero.

Accumulator (A)

An 8-bit Accumulator for arithmetic, logical and data movement operation.

Temporary Register (B)

An 8-bit temporarily storage for accumulator.

Index Registers (X, Y)

These two 8-bit registers can be used for general registers and index registers of the indirect addressing mode. They can also be used as pointer for table read and memory write instructions.



Stack Register (SP)

A 7-bit Stack Register (SP) stores the address for stack operation. After CPU resets, the value is \$00. The SP has to be initialized at \$FF by software. This means the stack frame starts from the highest address memory location.

Program Status (PS)

This is an 8-bit Program Status Register. However only 4-bit is used for controlling ALU operations and instruction execution sequences.

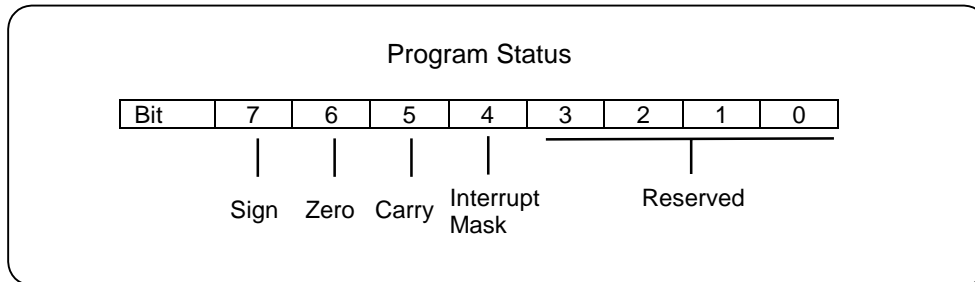


Figure 3. 8-bit Program Status

Carry Flag (C)

Whenever there is a carry or borrow occurs after an arithmetic operation, carry flag is set to 1. Otherwise, it is cleared to 0.

Besides, the "Rotate" instructions can also change the carry flag which value is a bit shifted out of the specified source operand.

Executing single instruction of "SETC" or "CLRC" can also alter this flag.

Upon returning from an interrupt service routine, this flag will be restored.

Zero Flag (Z)

For arithmetic and logical operations, Zero flag will be set to 1 if the result is zero.

Besides, for operation that involves moving source operand to accumulator, zero flag will also be set to 1 if the content of the source operand is zero.

Upon returning from an interrupt service routine, this flag will be restored.

Sign Flag (N)

Sign flag stores the most significant bit of a result after the following operations: -

- a. Arithmetic
- b. Logic
- c. Move from source operand to accumulator

This flag will also be restored upon returning from an interrupt service routine.

Interrupt Mask Flag (I)

The flag will be set to 1 when entering an interrupt service routine. By that time, all other interrupt events will be pending.

After exiting from the interrupt service routine, this interrupt mask flag will be cleared to 0. Then interrupt handling will be resumed.

Memory

There are 48K bytes internal ROM with each page size of 16K bytes. However only a maximum of 16K bytes area, the first page, can be used for coding. Besides, an extra 64 bytes area is for interrupt vector addressing space. Regarding the instruction pointer, it is organized as iPAGE:PC for instruction fetch.

Change of program flow between pages is by modifying the PAGE register and then followed by executing a JMP or CALL instruction. These two instructions will load the PAGE register to iPAGE and change the content in PC for long JMP or CALL instruction. It does not need to change the PAGE register if it is a short JMP/CALL (i.e. JMP/CALL within page) because the PAGE register is normally the same as the iPAGE register. To exit a subroutine, long or short return type must be specified for long or short CALL respectively.

The microcontroller has 128 bytes internal RAM data storage of address \$80-\$FF. This area includes stack frame and data memory. The stack frame is usually initialized at the highest RAM address location, i.e. \$FF.

Oscillation Circuits

Main system and subsystem oscillation circuitry generates the internal clock signal for the CPU and other hardware timings. The main system clock uses the RC oscillation source. The operating frequency is up to 4 MHz. This clock is for the CPU and the two timers.

The subsystem clock is for the real time signals. It uses 32.768 kHz crystal. It has to be tied to a voltage level, either HIGH or LOW, if the real time timer and the watch dog timer are not used.

Power Down

The microcontroller supports power down mode for saving power.

Executing a STOP instruction will stop the main system oscillation to save most of microcontroller power.

Only an external interrupt will release the microcontroller from STOP mode.

Interrupts

The MICROCONTROLLER has 2 timer interrupts, one real time interrupt, one external event interrupt and one software interrupt. When interrupt occurs, the content of PC, iPAGE and PS are pushed onto the stack in sequence. And then, the corresponding interrupt vector is loaded into iPAGE:PC. Upon executing a RTI instruction, the registers are popped out of the stack in the reversed order.

The preference of interrupt priority is Timer 0 / RTC interrupt, Timer 1 interrupt and then external interrupt.

I/O ports

The microcontroller has one 7-bit output port and two software controllable 8-bit I/O ports.

For I/O port 0, there is a pull-low resistor when it is configured as in input mode, and this resistor is disabled when it is in output mode.

For I/O port 1, it is floating when in input mode.

For Port 2, it is a 7-bit output port only.

Timers

The microcontroller has two programmable 8-bit timers (T0 and T1) for system timing. It has also a real time timer and a watch dog timer when subsystem clock is employed. All the timers can be enabled or disabled by configuring an internal register, TCONG. At CPU resets, all of them are disabled.

T0 and T1 are up-counters and can be configured as either two 8-bit pre-scalar auto reload timer or as a 16-bit pre-scalar auto reload timer. The timer overflow flag will be set if the timer overflows. Then an interrupt will be generated if the corresponding interrupt enable bit is set to 1.

The real time timer provides 0.5 sec interrupt for RTC functions. Watch dog timer will overflow in ~1 sec and then will reset the CPU.



BLOCK DIAGRAM

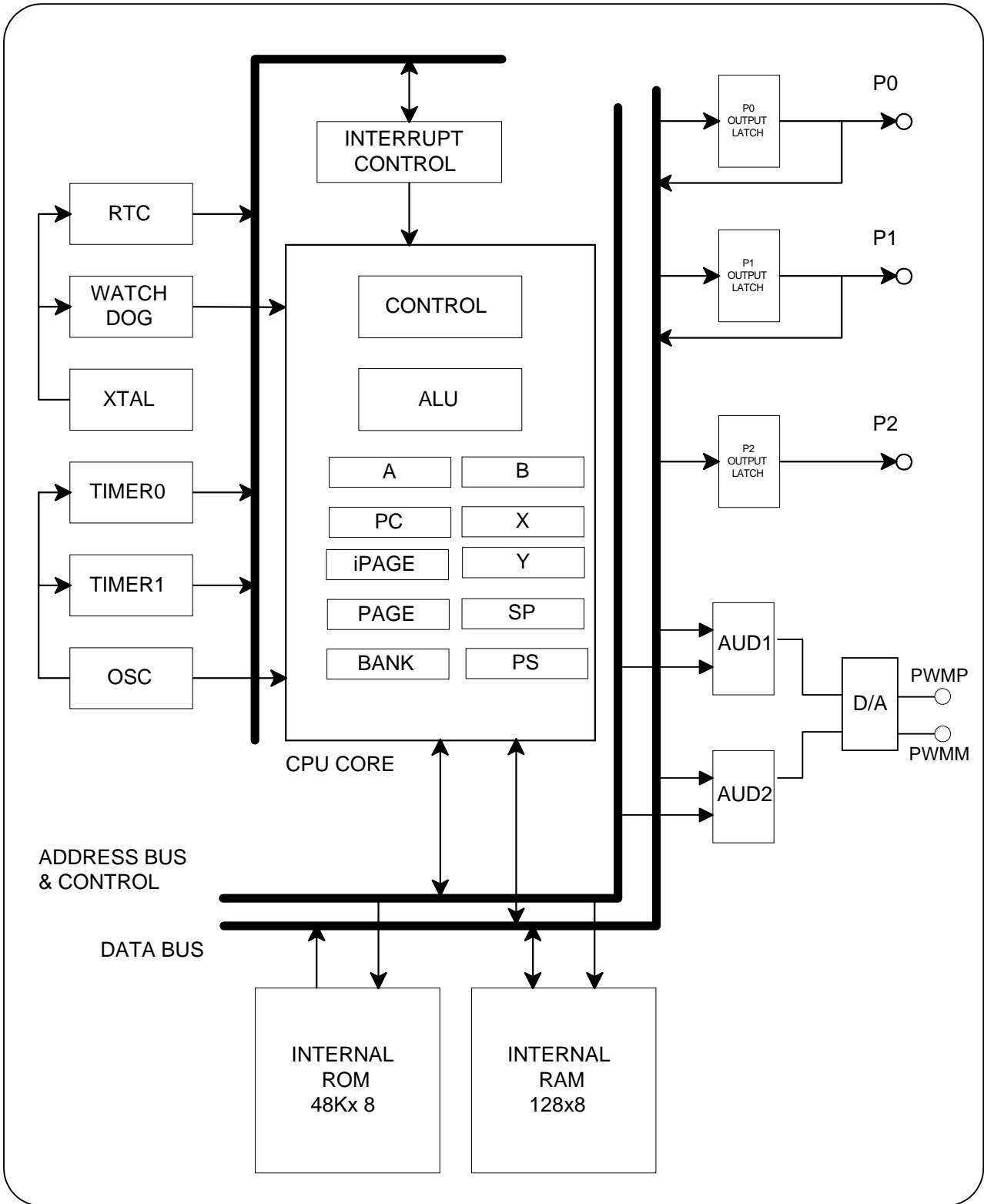


Figure 4. Block diagram of SCG9910

PIN DESCRIPTIONS

Table 2. Pin Descriptions

Pin	Name	Type	Description	Pad Type
1	P_CLK	I/P	RC Oscillator for the Main System clock	Pad type 5
2	CLK320	O/P	32.768KHz RTC	Pad type 6
3	CLK32I	I/P	32.768KHz RTC	Pad type 6
4	GND	Power	Ground (optional)	
5	P0RW0	I/O	Port 0	Pad type 1
6	P0RW1	I/O	Port 0	Pad type 1
7	P0RW2	I/O	Port 0	Pad type 1
8	P0RW3	I/O	Port 0	Pad type 1
9	VDD	Power	Supply voltage	
10	P0RW4	I/O	Port 0	Pad type 1
11	P0RW5	I/O	Port 0	Pad type 1
12	P0RW6	I/O	Port 0	Pad type 1
13	P0RW7	I/O	Port 0	Pad type 1
14	GND	Power	Ground (optional)	
15	P1RW0	I/O	Port 0	Pad type 1
16	P1RW1	I/O	Port 1	Pad type 1
17	P1RW2	I/O	Port 1	Pad type 1
18	P1RW3	I/O	Port 1	Pad type 1
19	VDD	Power	Supply Voltage (optional)	
20	P1RW4	I/O	Port 1	Pad type 1
21	P1RW5	I/O	Port 1	Pad type 1
22	P1RW6	I/O	Port 1	Pad type 1
23	P1RW7	I/O	Port 1	Pad type 1
24	GND	Power	Ground (optional)	
25	P2W0	O/P	Port 2	Pad type 2
26	P2W1	O/P	Port 2	Pad type 2
27	P2W2	O/P	Port 2	Pad type 2
28	P2W3	O/P	Port 2	Pad type 2
29	VDD	Power	Supply Voltage (optional)	
30	P2W4	O/P	Port 2	Pad type 2
31	P2W5	O/P	Port 2	Pad type 2
32	P2W6	O/P	Port 2	Pad type 2
33	PWMP	O/P	Speaker +	Pad type 2
34	PWMM	O/P	Speaker -	Pad type 2
35	GND	Power	Ground	
36	VDD	Power	Supply Voltage	
37	TEST	I/P	Test pin, no connection	Pad type 4
38	RESET	I/P	Reset pin	Pad type 3
39	EXT_INT	I/P	External Interrupt pin	Pad type 4

Note: The Optional pins for VDD and GND can be left open as NC pins.

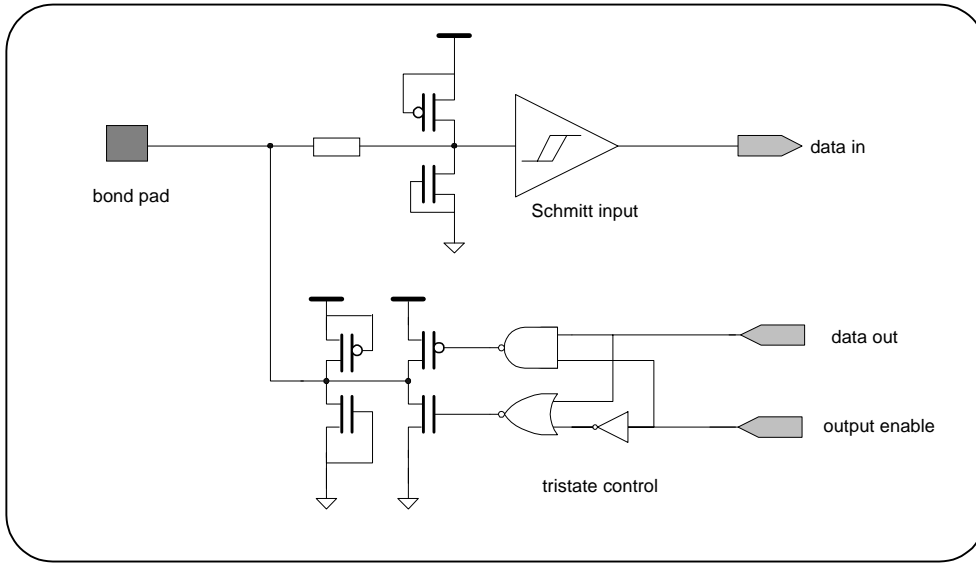


Figure 5. Pad type 1 (bi-directional pad)

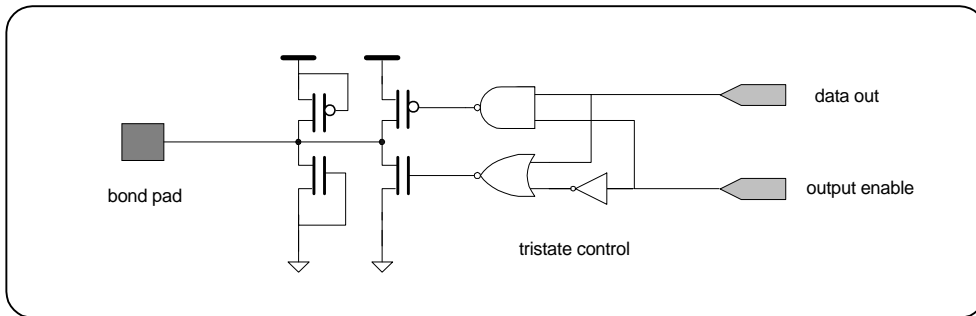


Figure 6. Pad type 2 (output pad)

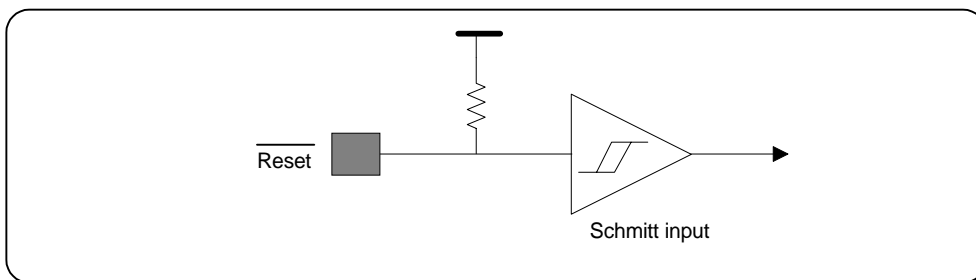


Figure 7. Pad type 3 ($\overline{\text{Reset}}$)

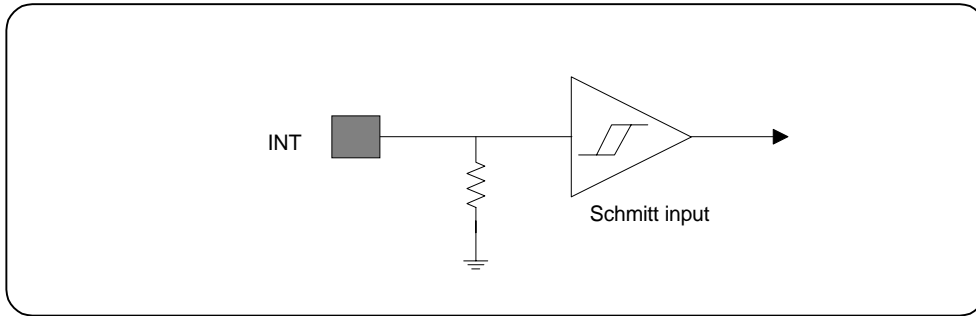


Figure 8. Pad type 4 (external interrupt)

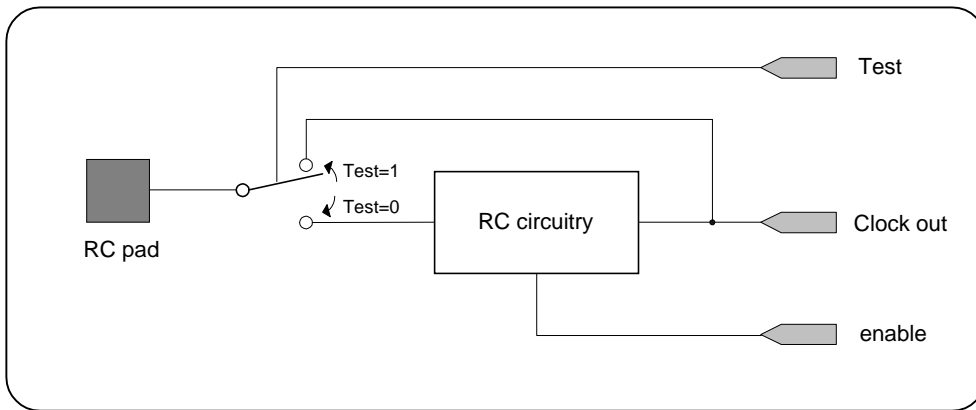


Figure 9. Pad type 5 (RC oscillation pad)

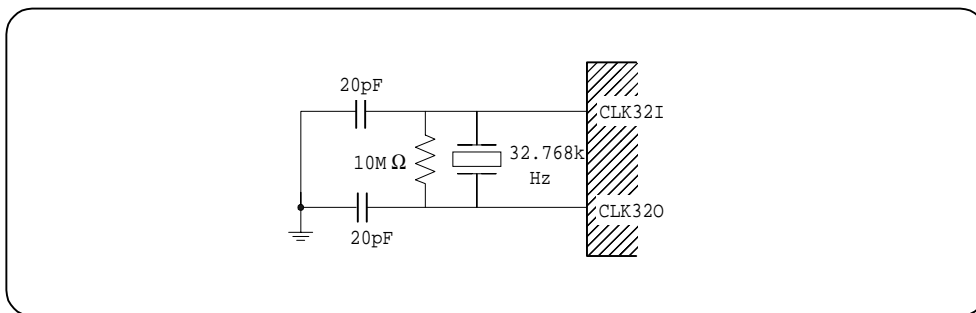


Figure 10. Pad type 6 (Clock circuit)

Control Registers

Summary

Table 3. Summary of Control Registers

Hex	Mnemonic	Control Registers Name	R/W
00H	P0DIR	Port 0 Direction Control Register	W
01H	-	(Reserved)	-
02H	P0RW	Port 0 Read/Write Port	R/W
03H	P1DIR	Port 1 Direction Control Register	W
04H	P1RW	Port 1 Read/Write Port	R/W
05H	P2W	Port 2 Output Port	W
06H	-	(Reserved)	-
07H	-	(Reserved)	-
08H	-	(Reserved)	-
09H	TCONG	Timer Configuration Port	W
0AH	INTR	Interrupt Control Register	W
0BH	TFLAG	Timer Flag Status Register/Watch-dog Reset	R/W
0CH	T0VAL	Timer 0 Preset Value Register	W
0DH	T1VAL	Timer 1 Preset Value Register	W
0EH	SPHEN	D/A Output Control Register	W
0FH	-	(Reserved)	-

Descriptions

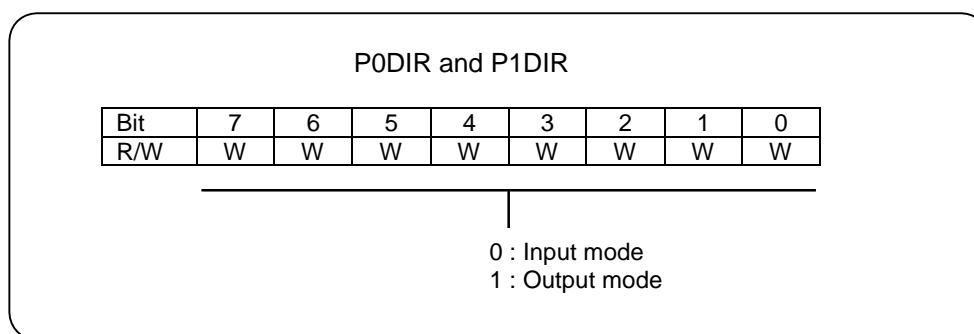


Figure 11. Port 0 and Port 1 Direction Control Registers

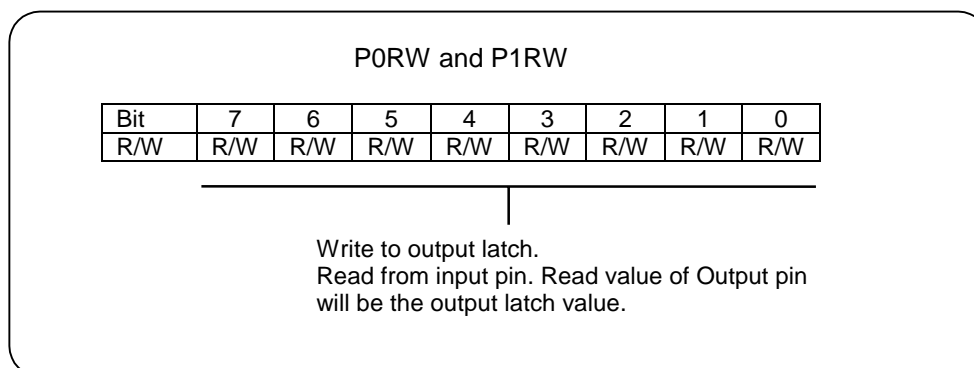


Figure 12. Port 0 and Port 1 Read/Write Port

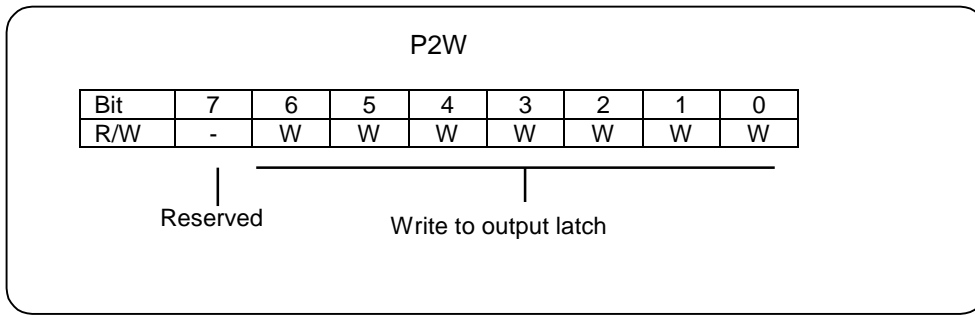


Figure 13. Port 2 Output Port

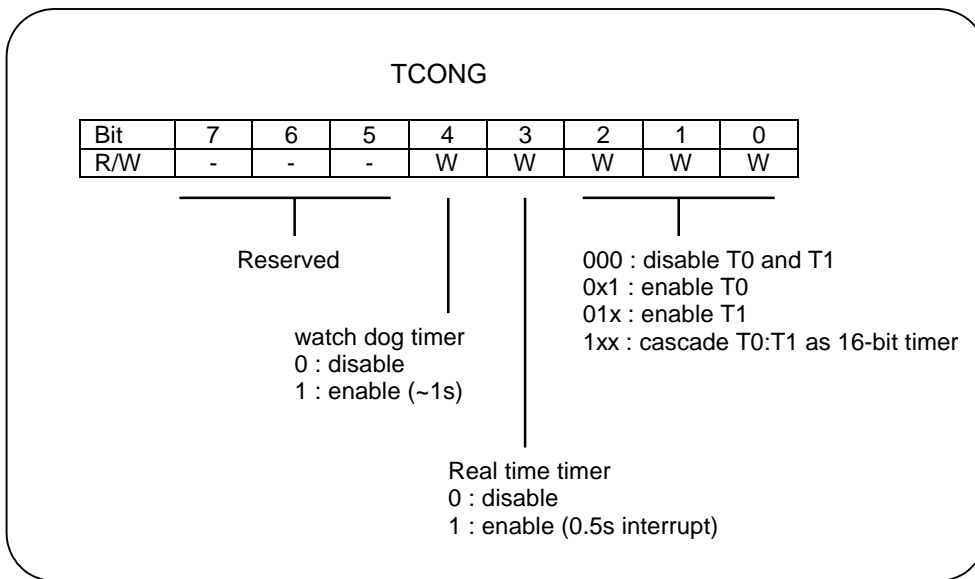


Figure 14. Timer Configuration Port

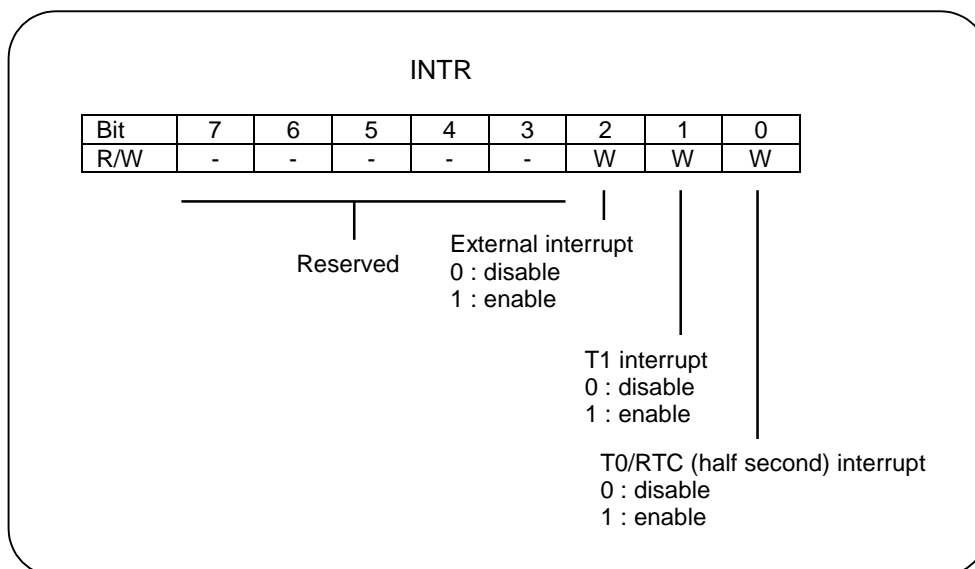


Figure 15. Interrupt Control Register

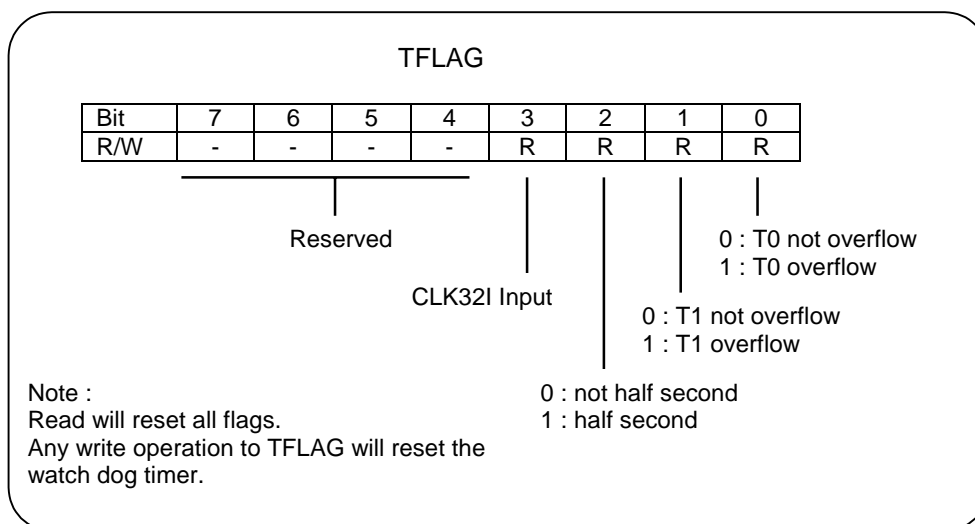


Figure 16. Timer Flag Status Register/Watch-dog Reset

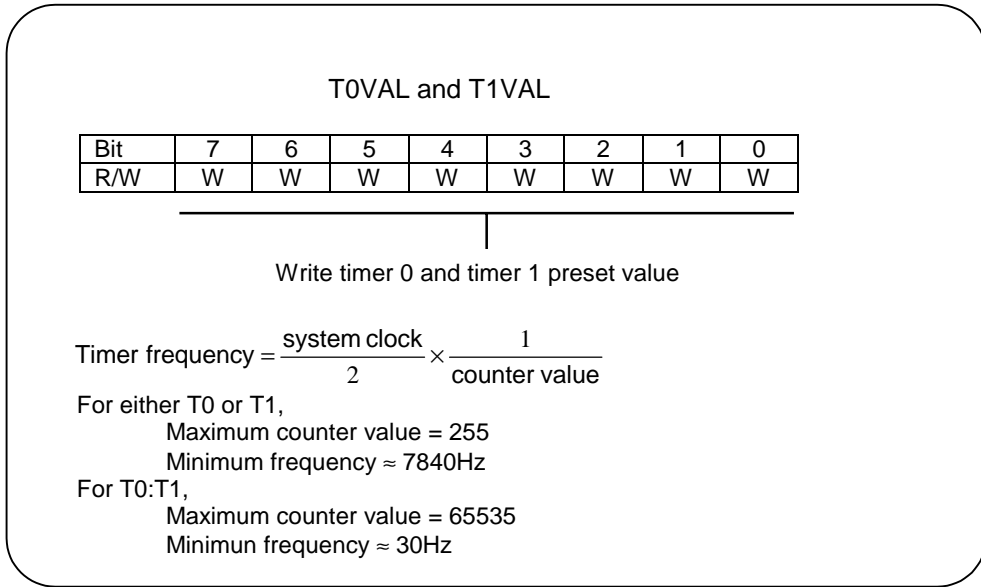


Figure 17. Timer 0 and Timer 1 Preset Value Register

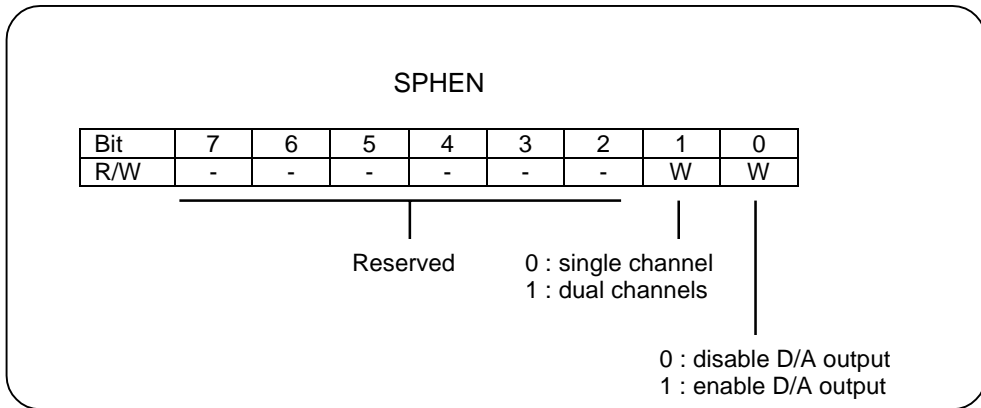


Figure 18. D/A Output Control Register

INSTRUCTION SUMMARY

There are 126 instructions. All instructions are one or two byte instructions.
The followings are the notations used:

A	Accumulator
B	B Register
C	Carry bit
Z	Zero bit
N	Negative bit
X	X Index Register
Y	Y Index Register
SP	Stack Pointer Register
STACK	Stack
BANK	Data Bank Register
PAGE	Page Register
iPAGE	The page register for PC19-PC14
PC	Program Counter PC13-0
PS	Program Status
I	Interrupt flag
(X)	RAM pointed by X
(Y)	RAM pointed by Y
label	A 8-bit RAM/Register label
(label)	RAM pointed by the label
ADDR14	A 14-bit address
ADDR 8	A 8-bit address
#CONSTANT	A 8-bit constant

INSTRUCTION SET

1. **ADC A**

Code	0100 0000
Operation	$A + A + C \rightarrow A$
Flags	N, Z, C

2. **ADC X**

Code	0100 0010
Operation	$X + A + C \rightarrow A$
Flags	N, Z, C

3. **ADC Y**

Code	0100 0011
Operation	$Y + A + C \rightarrow A$
Flags	N, Z, C

4. **ADC (X)**

Code	0100 0110
Operation	$(X) + A + C \rightarrow A$
Flags	N, Z, C

5. **ADC (Y)**

Code	0100 0111
Operation	$(Y) + A + C \rightarrow A$
Flags	N, Z, C

6. **ADC label**

Code	0100 0100 zzzz zzzz
Operation	$(zzzz\ zzzz) + A + C \rightarrow A$
Flags	N, Z, C

7. **ADC #CONSTANT**

Code	0100 0001 zzzz zzzz
Operation	$Zzzz\ zzzz + A + C \rightarrow A$
Flags	N, Z, C

8. **AND A**

Code	0100 1000
Operation	$A \wedge A \rightarrow A$
Flags	N, Z

9. **AND X**

Code	0100 1010
Operation	$X \wedge A \rightarrow A$
Flags	N, Z

10. **AND Y**

Code	0100 1011
Operation	$Y \wedge A \rightarrow A$
Flags	N, Z

11. **AND (X)**

Code	0100 1110
Operation	$(X) \wedge A \rightarrow A$
Flags	N, Z

12. **AND (Y)**

Code	0100 1111
Operation	$(Y) \wedge A \rightarrow A$
Flags	N, Z

13. **AND label**

Code	0100 1100 zzzz zzzz
Operation	$(zzzz\ zzzz) \wedge A \rightarrow A$
Flags	N, Z

14. **AND #CONSTANT**

Code	0100 1001 zzzz zzzz
Operation	$Zzzz\ zzzz \wedge A \rightarrow A$
Flags	N, Z

15. **BRA ADDR8**

Code	0011 0010 zzzz zzzz
Operation	$Zzzz\ zzzz \rightarrow PC0-7$
Flags	-----

16. **CALL ADDR14**

Code	11zz zzzz zzzz zzzz
Operation	PC →(SP);SP-2→SP
	ADDR14 →PC[13:0]
	If PAGE ≠ iPAGE
	IPAGE→(SP);SP-1→SP
	PAGE →iPAGE
Flags	-----

17. **CLR A**

Code	0010 1000
Operation	0 →A
Flags	N,Z

18. **CLR X**

Code	0010 1010
Operation	0 →X
Flags	-----

19. **CLR Y**

Code	0010 1011
Operation	0 →Y
Flags	-----

20. **CLR (X)**

Code	0010 1110
Operation	0 →(X)
Flags	-----

21. **CLR (Y)**

Code	0010 1111
Operation	0 →(Y)
Flags	-----

22. **CLR label**

Code	0010 1100
Operation	0 →(zzzz zzzz)
Flags	-----

23. **CLRC**

Code	0110 0001
Operation	0 →C
Flags	C

24. **CMP #CONSTANT**

Code	0000 0001 zzzz zzzz
Operation	A ∇ zzzz zzzz
Flags	Z

25. **CMP label**

Code	0000 0101 zzzz zzzz
Operation	A ∇ (zzzz zzzz)
Flags	Z

26. **CPMX #CONSTANT**

Code	0000 1001 zzzz zzzz
Operation	(X) ∇ zzzz zzzz
Flags	Z

27. **CPMX label**

Code	0000 1101 zzzz zzzz
Operation	(X) ∇ zzzz zzzz
Flags	Z

28. **CPX #CONSTANT**

Code	0001 0001 zzzz zzzz
Operation	X ∇ zzzz zzzz
Flags	Z

29. **CPX label**

Code	0001 0101 zzzz zzzz
Operation	X ∇ (zzzz zzzz)
Flags	Z

30. **CPY #CONSTANT**

Code	0001 1001 zzzz zzzz
Operation	Y ∇ zzzz zzzz
Flags	Z

31. **CPY label**

Code	0001 1101 zzzz zzzz
Operation	Y ∇ (zzzz zzzz)
Flags	Z

32. **DEC A**

Code	0110 1000
Operation	$A - 1 \rightarrow A$
Flags	N, Z, C

33. **DEC X**

Code	0110 1010
Operation	$X - 1 \rightarrow X$
Flags	N, Z, C

34. **DEC Y**

Code	0110 1011
Operation	$Y - 1 \rightarrow Y$
Flags	N, Z, C

35. **DEC (X)**

Code	0110 1110
Operation	$(X) - 1 \rightarrow (X)$
Flags	N, Z, C

36. **DEC (Y)**

Code	0110 1111
Operation	$(Y) - 1 \rightarrow (Y)$
Flags	N, Z, C

37. **DEC label**

Code	0110 1100 zzzz zzzz
Operation	$(zzzz\ zzzz) - 1 \rightarrow (zzzzzzzz)$
Flags	N, Z, C

38. **EOR X**

Code	0101 1010
Operation	$X \vee A \rightarrow A$
Flags	N, Z

39. **EOR Y**

Code	0101 1011
Operation	$Y \vee A \rightarrow A$
Flags	N, Z

40. **EOR (X)**

Code	0101 1110
Operation	$(X) \vee A \rightarrow A$
Flags	N, Z

41. **EOR (Y)**

Code	0101 1111
Operation	$(Y) \vee A \rightarrow A$
Flags	N, Z

42. **EOR label**

Code	0101 1100 zzzz zzzz
Operation	$(zzzz\ zzzz) \vee A \rightarrow A$
Flags	N, Z

43. **EOR #CONSTANT**

Code	0101 1001 zzzz zzzz
Operation	$zzzz\ zzzz \vee A \rightarrow A$
Flags	N, Z

44. **INC A**

Code	0110 0000
Operation	$A + 1 \rightarrow A$
Flags	N, Z, C

45. **INC X**

Code	0110 0010
Operation	$X + 1 \rightarrow X$
Flags	N, Z, C

46. **INC Y**

Code	0110 0011
Operation	$Y + 1 \rightarrow Y$
Flags	N, Z, C

47. **INC (X)**

Code	0110 0110
Operation	$(X) + 1 \rightarrow X$
Flags	N, Z, C

48. **INC (Y)**

Code	0110 0111
Operation	$(Y) + 1 \rightarrow Y$
Flags	N, Z, C

49. **INC label**

Code	0110 0100 zzzz zzzz
Operation	$(zzzz\ zzzz) + 1 \rightarrow (zzzz\ zzzz)$
Flags	N, Z, C

50. **INT**

Code	0011 0110
Operation	PC LOW → (SP), SP-1 → SP
	PCHIGH→(SP), SP-1 → SP
	IPAGE → (SP), SP-1 → SP
	PS → (SP), SP-1 → SP
	1 → I
	3FC0H → PC
	3 → iPAGE,PAGE
Flags	I

51. **JA**

Code	0111 0001
Operation	A →PC[7:0]
Flags	-----

52. **JUMP ADDR14**

Code	10zz zzzz zzzz zzzz
Operation	ADDR14 →PC[13:0]
	If PAGE≠iPAGE PAGE →iPAGE
Flags	-----

53. **MOV A, X**

Code	0000 0010
Operation	A →X
Flags	-----

54. **MOV A, Y**

Code	0000 0011
Operation	A →Y
Flags	-----

55. **MOV A, (X)**

Code	0000 0110
Operation	A →(X)
Flags	-----

56. **MOV A, (Y)**

Code	0000 0111
Operation	A →(Y)
Flags	-----

57. **MOV A label**

Code	0000 0100 zzzz zzzz
Operation	A →(zzzz zzzz)
Flags	-----

58. **MOV X, A**

Code	0001 0000
Operation	X →A
Flags	N, Z

59. **MOV X, Y**

Code	0001 0011
Operation	X →Y
Flags	-----

60. **MOV X, (Y)**

Code	0001 0111
Operation	X →(Y)
Flags	-----

61. **MOV X, label**

Code	0001 0100 zzzz zzzz
Operation	X →(zzzz zzzz)
Flags	-----

62. **MOV Y, A**

Code	0001 1000
Operation	Y →A
Flags	N, Z

63. **MOV Y, X**

Code	0001 1010
Operation	Y →X
Flags	-----



64.	MOV Y, (X)
Code	0001 1110
Operation	Y \rightarrow (X)
Flags	-----

65.	MOV Y, label
Code	0001 1100 zzzz zzzz
Operation	Y \rightarrow (zzzz zzzz)
Flags	-----

66.	MOV (X), A
Code	0011 0000
Operation	(X) \rightarrow A
Flags	N, Z

67.	MOV (X), Y
Code	0011 0011
Operation	(X) \rightarrow Y
Flags	-----

68.	MOV (X), (Y)
Code	0011 0111
Operation	(X) \rightarrow (Y)
Flags	-----

69.	MOV (X), label
Code	0011 0100 zzzz zzzz
Operation	(X) \rightarrow (zzzz zzzz)
Flags	-----

70.	MOV (Y), A
Code	0011 1000
Operation	(Y) \rightarrow A
Flags	N, Z

71.	MOV (Y), X
Code	0011 1010
Operation	(Y) \rightarrow X
Flags	-----

72.	MOV (Y), (X)
Code	0011 1110
Operation	(Y) \rightarrow (X)
Flags	-----

73.	MOV (Y), label
Code	0011 1100 zzzz zzzz
Operation	(Y) \rightarrow (zzzz zzzz)
Flags	-----

74.	MOV label, A
Code	0010 0000 zzzz zzzz
Operation	(zzzz zzzz) \rightarrow A
Flags	N, Z

75.	MOV label, X
Code	0010 0010 zzzz zzzz
Operation	(zzzz zzzz) \rightarrow X
Flags	-----

76.	MOV label, Y
Code	0010 0011 zzzz zzzz
Operation	(zzzz zzzz) \rightarrow Y
Flags	-----

77.	MOV label, (X)
Code	0010 0110 zzzz zzzz
Operation	(zzzz zzzz) \rightarrow (X)
Flags	-----

78.	MOV label, (Y)
Code	0010 0111 zzzz zzzz
Operation	(zzzz zzzz) \rightarrow (Y)
Flags	-----

79.	MOV #CONSTANT, A
Code	0000 1000 zzzz zzzz
Operation	Zzzz zzzz \rightarrow A
Flags	N, Z

80.	MOV #CONSTANT, X
Code	0000 1010 zzzz zzzz
Operation	Zzzz zzzz \rightarrow X
Flags	-----

81. **MOV #CONSTANT, Y**

Code	0000 1011 zzzz zzzz
Operation	Zzzz zzzz →Y
Flags	-----

82. **MOV #CONSTANT, (X)**

Code	0000 1110 zzzz zzzz
Operation	Zzzz zzzz →(X)
Flags	-----

83. **MOV #CONSTANT, (Y)**

Code	0000 1111 zzzz zzzz
Operation	zzzz zzzz →(Y)
Flags	-----

84. **NOP**

Code	0000 0000
Operation	No operation
Flags	-----

85. **OR X**

Code	0101 0010
Operation	X V A→A
Flags	N, Z

86. **OR Y**

Code	0101 0011
Operation	Y V A→A
Flags	N, Z

87. **OR (X)**

Code	0101 0110
Operation	(X) V A→A
Flags	N, Z

88. **OR (Y)**

Code	0101 0111
Operation	(Y) V A→A
Flags	N, Z

89. **OR label**

Code	0101 0100 zzzz zzzz
Operation	(zzzz zzzz)V A→A
Flags	N, Z

90. **OR #CONSTANT**

Code	0101 0001 zzzz zzzz
Operation	Zzzz zzzzV A→A
Flags	N, Z

91. **POP**

Code	0011 1111
Operation	SP+1→SP (SP)→A
Flags	-----

92. **PSHPAGE**

Code	0110 1101
Operation	PAGE→(SP); SP-1→SP
Flags	-----

93. **PUSH**

Code	0110 1001
Operation	A→(SP), SP-1→SP
Flags	-----

94. **ROL A**

Code	0111 0000
Operation	C←A←C
Flags	N, Z, C

95. **ROL X**

Code	0111 0010
Operation	C←X←C
Flags	N, Z, C

96. **ROL Y**

Code	0111 0011
Operation	C←Y←C
Flags	N, Z, C

97. **ROL (X)**

Code	0111 0110
Operation	C←(X)←C
Flags	N, Z, C



98.	ROL (Y)	
	Code	0111 0111
	Operation	$C \leftarrow (Y) \leftarrow C$
	Flags	N, Z, C

99.	ROL label	
	Code	0111 0100 zzzz zzzz
	Operation	$C \leftarrow (zzzz\ zzzz) \leftarrow C$
	Flags	N, Z, C

100.	ROM A	
	Code	0111 1101
	Operation	ROM (BANK,X,A) \rightarrow A
	Flags	-----

101.	ROM Y	
	Code	0111 1001
	Operation	ROM (BANK,X,Y) \rightarrow A
	Flags	-----

102.	ROR A	
	Code	0111 1000
	Operation	$C \rightarrow A \rightarrow C$
	Flags	N, Z, C

103.	ROR X	
	Code	0111 1010
	Operation	$C \rightarrow X \rightarrow C$
	Flags	N, Z, C

104.	ROR Y	
	Code	0111 1011
	Operation	$C \rightarrow Y \rightarrow C$
	Flags	N, Z, C

105.	ROR (X)	
	Code	0111 1110
	Operation	$C \rightarrow (X) \rightarrow C$
	Flags	N, Z, C

106.	ROR (Y)	
	Code	0111 1111
	Operation	$C \rightarrow (Y) \rightarrow C$
	Flags	N, Z, C

107.	ROR label	
	Code	0111 1100 zzzz zzzz
	Operation	$C \rightarrow (zzzz\ zzzz) \rightarrow C$
	Flags	N, Z, C

108.	RTI	
	Code	0100 0101
	Operation	SP+1 \rightarrow SP
		(SP) \rightarrow PS; SP+1 \rightarrow 1
		(SP) \rightarrow IPAGE, PAGE;
		SP+1 \rightarrow SP
		(SP) \rightarrow PCHIGH;
		SP+1 \rightarrow SP
		(SP) \rightarrow PCLOW
	Flags	-----

109.	RTL	
	Code	0100 1101
	Operation	SP+1 \rightarrow SP
		(SP) \rightarrow IPAGE, PAGE;
		SP+1 \rightarrow SP
		(SP) \rightarrow PCHIGH
		SP+1 \rightarrow SP
		(SP) \rightarrow PCLOW
	Flags	-----

110.	RTS	
	Code	0101 0101
	Operation	SP+1 \rightarrow SP
		(SP) \rightarrow PCHIGH;
		SP+1 \rightarrow SP
		(SP) \rightarrow PCLOW
	Flags	-----

111.	SETC	
	Code	0110 0101
	Operation	1 \rightarrow C
	Flags	C

112.	SETZ	
	Code	0101 1000
	Operation	1 \rightarrow Z, 0 \rightarrow A,
	Flags	N, Z



113.	SKIPC
Code	0011 0001
Operation	PC+2→PC if C = 1
Flags	-----

120.	TALK1
Code	0001 1011
Operation	A→AUD1
Flags	-----

114.	SKIPMI
Code	0001 0110
Operation	PC+2→PC if N = 1
Flags	-----

121.	TALK 2
Code	0011 1011
Operation	A→AUD2
Flags	-----

115.	SKIPNC
Code	0011 1001
Operation	PC+2→PC if C = 0
Flags	-----

122.	TZ
Code	0101 0000
Operation	Z=1 if A = 0
	Z=0 if A ≠ 0
Flags	N, Z

116.	SKIPNZ
Code	0010 1001
Operation	PC+2→PC if Z = 0
Flags	-----

123.	XB
Code	0010 0101
Operation	B↔A
Flags	-----

117.	SKIPPL
Code	0001 1111
Operation	PC+2→PC if N = 0
Flags	-----

124.	XBANK
Code	0011 0101
Operation	BANK↔A
Flags	-----

118.	SKIPZ
Code	0010 0001
Operation	PC+2→PC if Z = 1
Flags	-----

125.	XSP
Code	0011 1101
Operation	SP↔A
Flags	-----

119.	STOP
Code	0010 0100
Operation	Stop
Flags	-----

126.	XST
Code	0010 1101
Operation	PS↔A
Flags	N, Z, C, I

ELECTRICAL CHARACTERISTICS

Absolute Maximum Ratings:

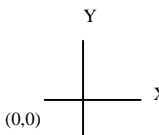
1. VDD	7.0V
2. VIH	VDD + 0.3V
3. VIL	GND - 0.3V
4. Operating Temperature	0°C to + 60°C
5. Storage Temperature	-50°C to + 150°C

Recommended Operating:

		MIN	TYP	MAX	Unit
1. Operating Voltage (VDD)		2.4	3.0	5.5	V
2. Operating Frequency (Fosc)		-	4.0	-	MHz
3. Input Voltage					
3.1 VDD = 2.4V	VIH	1.6	2.0	2.4	V
	VIL	0	0.4	0.8	V
3.2 VDD = 3.0V	VIH	2.0	2.4	3.0	V
	VIL	0	0.6	1.0	V
3.3 VDD = 5.5V	VIH	3.6	4.0	5.5V	V
	VIL	0	1.5	1.8V	V
4. Output Voltage					
4.1 VDD = 2.4V	VOH	2.0	-	-	V
@1mA	VOL	-	-	0.4	V
4.2 VDD = 3.0V	VOH	2.4	-	-	V
@2mA	VOL	-	-	0.6	V
4.3 VDD = 5.5V	VOH	4.0	-	-	V
@10mA	VOL	-	-	1.5	V
5. Input Current					
VIH = VDD	IH	-	-	150	µA (through pull-low resistor)
VIL = OV	IL	-	-	0.3	µA (leakage)
6. Output Current					
6.1 VDD = 2.4V,	IOH@VOH =2.0V	1.0	1.5	-	mA
	IOL@VOL =0.4V	2.0	3.0	-	mA
6.2 VDD = 3.0V,	IOH@VOH =2.4V	1.5	3.5	-	mA
	IOL@VOL =0.6V	3.0	7.0	-	mA
6.3 VDD = 5.5V,	IOH@VOH =4.0V	8	10	-	mA
	IOL@VOL =1.5V	16	20	-	mA
7. Current Dissipation					
7.1 Operating Current @4MHz, 3.0V & Output Pad Load = 50pF		1.0	1.5	4.5	mA
7.2 Operating Current @4MHz, 5.0V & Output Pad Load = 50pF		2.0	3.0	9.0	mA
7.3 Standby Current (OFF mode)		-	5.0	30.0	µA

PAD Co-ordinates

	EXT_INT	RESET-	TEST	VDD										
	39	38	37	36										
1	P_CLK													
2	CLK32O													
3	CLK32I													
4	VSS													
5	PORW0													
6	PORW1													
7	PORW2													
8	PORW3													
9	VDD													
10	PORW4													
11	PORW5													
12	PORW6													
13	PORW7													
	14	15	16	17	18	19	20	21	22	23	24	25	26	
	VSS	P1RW0	P1RW1	P1RW2	P1RW3	VDD	P1RW4	P1RW5	P1RW6	P1RW7	VSS	P2W0	P2W1	
														35
														34
														33
														32
														31
														30
														29
														28
														27



The substrate of IC should be connected to VSS



Pad No	Pad Name	X	Y	Pad No	Pad Name	X	Y
1	P_CLK	-1193.600	955.000	20	P1RW4	-24.000	-1174.600
2	CLK32O	-1193.600	795.000	21	P1RW5	136.000	-1174.600
3	CLK32I	-1193.600	635.000	22	P1RW6	296.000	-1174.600
4	VSS	-1193.600	475.000	23	P1RW7	456.000	-1174.600
5	P0RW0	-1193.600	315.000	24	VSS	616.000	-1174.600
6	P0RW1	-1193.600	155.000	25	P2W0	776.000	-1174.600
7	P0RW2	-1193.600	-5.000	26	P2W1	936.000	-1174.600
8	P0RW3	-1193.600	-165.000	27	P2W2	1193.600	-965.000
9	VDD	-1193.600	-325.000	28	P2W3	1193.600	-805.000
10	P0RW4	-1193.600	-485.000	29	VDD	1193.600	-645.000
11	P0RW5	-1193.600	-645.000	30	P2W4	1193.600	-485.000
12	P0RW6	-1193.600	-805.000	31	P2W5	1193.600	-325.000
13	P0RW7	-1193.600	-965.000	32	P2W6	1193.600	-165.000
14	VSS	-984.000	-1174.600	33	PWMP	1193.600	-5.000
15	P1RW0	-824.000	-1174.600	34	PWMM	1193.600	155.000
16	P1RW1	-664.000	-1174.600	35	VSS	1193.600	315.000
17	P1RW2	-504.000	-1174.600	36	VDD	-504.000	1174.600
18	P1RW3	-344.000	-1174.600	37	TEST	-664.000	1174.600
19	VDD	-184.000	-1174.600	38	RESET	-824.000	1174.600
				39	EXT_INT	-984.000	1174.600



Application Circuit

