

**PLEASE CHECK WWW.MOLEX.COM FOR LATEST PART INFORMATION**

**Part Number:** [0365100025](#)  
**Status:** **Active**  
**Overview:** [din\\_41612](#)  
**Description:** 2.54mm (.100") Pitch DIN 41612 Receptacle, R/2 Style, Right Angle, Through Hole, 32 Circuits, 1.10µm (43µ") Gold (Au) Selective, Lead-Free

**Documents:**

[Drawing \(PDF\)](#) [RoHS Certificate of Compliance \(PDF\)](#)  
[Product Specification PS-36509-001 \(PDF\)](#)

**General**

Product Family	Backplane Connectors
Series	<a href="#">36510</a>
Application	Backplane
Comments	No Mounting Clip. No Sealing Strip
Component Type	PCB Receptacle
Overview	<a href="#">din_41612</a>
Product Name	IEC 603-2/DIN 41612
Style	R/2

**Physical**

Circuits (Loaded)	32
Circuits (maximum)	32
Circuits Detail	1,2,3,...16; a+c
Color - Resin	Gray
Durability (mating cycles max)	500
Keying to Mating Part	None
Material - Metal	Phosphor Bronze
Material - Plating Mating	Gold
Material - Plating Termination	Nickel
Material - Resin	Polyester
Number of Columns	16
Number of Pairs	Open Pin Field
Number of Rows	2
Orientation	Right Angle
PC Tail Length (in)	0.118 In
PC Tail Length (mm)	3.00 mm
PCB Locator	No
PCB Retention	Yes
PCB Thickness Recommended (in)	0.062 In
PCB Thickness Recommended (mm)	1.60 mm
Packaging Type	Tray
Pitch - Mating Interface (in)	0.100 In
Pitch - Mating Interface (mm)	2.54 mm
Pitch - Term. Interface (in)	0.100 In
Pitch - Term. Interface (mm)	2.54 mm
Plating min: Mating (µin)	43
Plating min: Mating (µm)	1.10
Polarized to PCB	Yes
Stackable	No
Surface Mount Compatible (SMC)	No
Temperature Range - Operating	-55°C to +125°C
Termination Interface: Style	Through Hole

**Electrical**

Current - Maximum per Contact	1A
-------------------------------	----

**EU RoHS**

**ELV and RoHS  
Compliant**

**REACH SVHC**

Not Reviewed

**Halogen-Free**

**Status**

**Not Reviewed**

**China RoHS**



**Need more information on product  
environmental compliance?**

Email [productcompliance@molex.com](mailto:productcompliance@molex.com)  
 For a multiple part number RoHS Certificate of Compliance, [click here](#)

Please visit the [Contact Us](#) section for any non-product compliance questions.

**Search Parts in this Series**

[36510Series](#)

**Mates With**

[36512](#)

Data Rate	622.0 Mbps
Voltage - Maximum	1550V (RMS)

**Solder Process Data**

Lead-free Process Capability	Wave Capable (TH only)
------------------------------	------------------------

**Material Info**

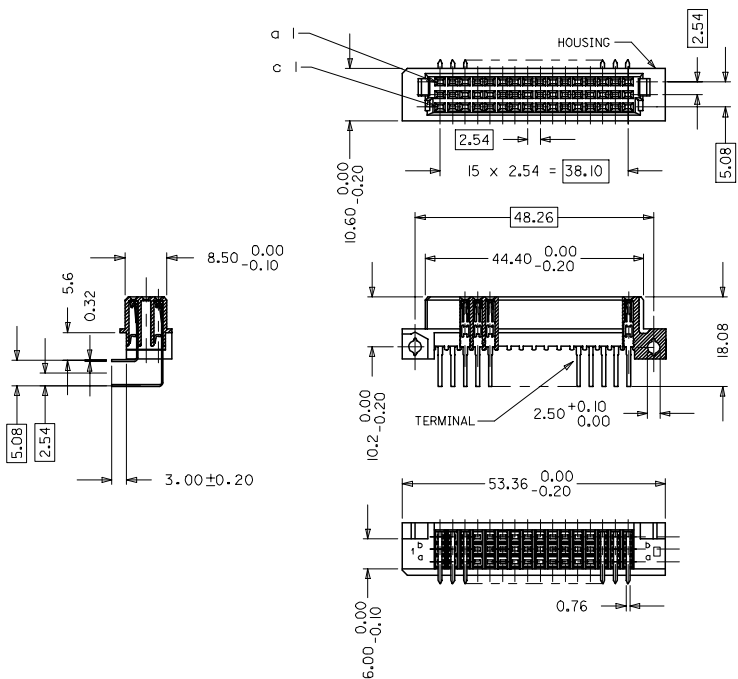
Old Part Number	MMB2400R483
-----------------	-------------

**Reference - Drawing Numbers**

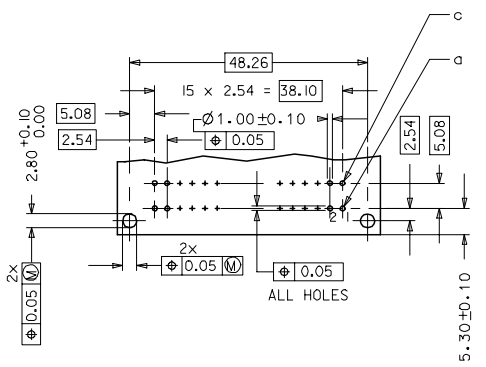
Product Specification	PS-36509-001
Sales Drawing	SD-36510-002

This document was generated on 05/13/2010

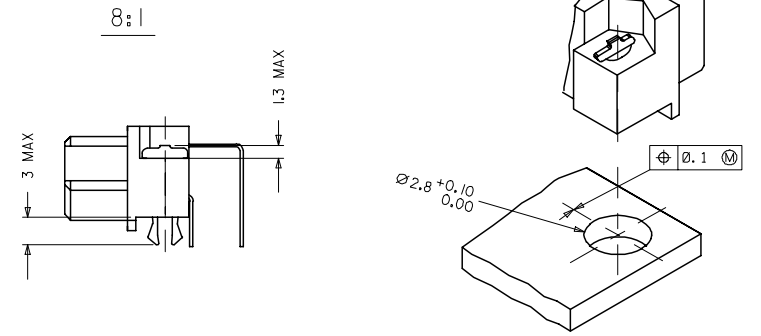
**PLEASE CHECK [WWW.MOLEX.COM](http://WWW.MOLEX.COM) FOR LATEST PART INFORMATION**



RECOMMENDED PCB LAYOUT  
COMPONENT SIDE



WITH MOUNTING CLIPS



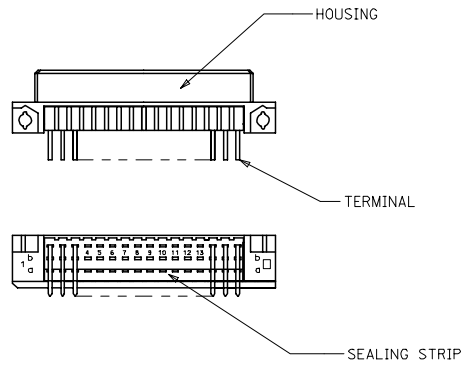
- NOTES:
- MATERIALS: THERMOPLASTIC POLYESTER, GLASS FILLED, UL94V-0. COLOUR: PEBBLE GREY RAL 7032  
TERMINAL - PHOSPHOR BRONZE  
MOUNTING CLIP: STEEL
  - FINISH: TERMINAL:-  
CONTACT AREA  
1. PERFORMANCE LEVEL 1: SELECTIVE GOLD (Au), THICKNESS = 1.1 MICROMETER OVER NICKEL, THICKNESS = 1.25 MICROMETER  
2. PERFORMANCE LEVEL 2: SELECTIVE GOLD (Au), THICKNESS = 0.6 MICROMETER OVER NICKEL, THICKNESS = 1.25 MICROMETER  
3. PERFORMANCE LEVEL 3: SELECTIVE GOLD (Au), THICKNESS = 0.3 MICROMETER OVER NICKEL, THICKNESS = 1.25 MICROMETER  
TERMINATION AREA:  
SELECTIVE TIN, THICKNESS = 2.5 MICROMETER OVER NICKEL, THICKNESS = 1.25 MICROMETER OVERALL
  - MOUNTING CLIP:-  
TIN (Sn), THICKNESS = 5-10 MICROMETER, OVER NICKEL (Ni), THICKNESS = 2.5 MICROMETER
  - FOR NON MOUNTING CLIP OPTION, CONNECTOR TO BE SECURED WITH RIVETS: 2 TUBULAR RIVETS 2.5 x 0.3 ... DIN 7340  
SCREWS: 2 CHEESEHEAD SCREWS M2.5 x ... DIN 84 AND 2 HEXAGONAL NUTS M2.5 DIN 934
  - MATERIAL NUMBER, BATCH CODE, UL AND CSA MARKING TO BE PRINTED ON THE CONNECTOR
  - CUT FACE OF TIP WITHOUT PLATING PERMITTED
  - PRODUCT SPECIFICATION : PS-36509-001

RoHS COMPLIANT

EC No: P007-0044 DRAWN BY: DRINGSATTI/MARAD 2006/10/10 CHECKED BY: CHIKKOSUDHAR 2006/10/11 APPROVED BY: APPR/SSUDHAR 2006/10/15	QUALITY SYMBOLS ▽=0 ▽=0	GENERAL TOLERANCES (UNLESS SPECIFIED)		DIMENSION STYLE MM ONLY		SCALE 2:1	DESIGN UNITS METRIC	THIRD ANGLE PROJECTION	
		4 PLACES ±	±	INCH	DRAWN BY SS	DATE 1999/09/24	TITLE ASSEMBLY, DIN 41612 R/2 FEMALE, 32 POS A+C LOADED	MOLEX INCORPORATED	
D1	DESCRIPTION	3 PLACES ±	±		CHECKED BY G J LOWE	DATE 1999/09/24	MATERIAL NO. SD-36510-002		SHEET NO. 1 OF 2
		2 PLACES ±	±		APPROVED BY G J LOWE	DATE 1999/09/24	DOCUMENT NO. SD-36510-002		
DRAFT WHERE APPLICABLE MUST REMAIN WITHIN DIMENSIONS		1 PLACE ±	±		ANGULAR ± 2°		THIS DRAWING CONTAINS INFORMATION THAT IS PROPRIETARY TO MOLEX INCORPORATED AND SHOULD NOT BE USED WITHOUT WRITTEN PERMISSION		

	20	19	18	17	16	15	14	13	12	11	10	9	8	7	6	5	4	3	2	1
	MATERIAL No	MOLEX ENG No	PERF LEVEL	PLATING	CONTACT SEQUENCE/ROW	MOUNTING CLIP	SEALING STRIP													
M	36510-0025	MM-B2400-R483	1	Au+Ni	1,2,3....16 a+c	NO	NO													
	36510-0026	MM-B2500-R483	2	Au+Ni	1,2,3....16 a+c	NO	NO													
	36510-0027	MM-B2600-R483	3	Au+Ni	1,2,3....16 a+c	NO	NO													
L																				
	36510-0031	MM-B2400-R413	1	Au+Ni	1,2,3....16 a+c	YES	NO													
	36510-0032	MM-B2500-R413	2	Au+Ni	1,2,3....16 a+c	YES	NO													
K	36510-0033	MM-B2600-R413	3	Au+Ni	1,2,3....16 a+c	YES	NO													
	36510-0037	MM-B2400-R483-101	1	Au+Ni	1,2,3....16 a+c	NO	YES													
J	36510-0038	MM-B2500-R483-101	2	Au+Ni	1,2,3....16 a+c	NO	YES													
	36510-0039	MM-B2600-R483-101	3	Au+Ni	1,2,3....16 a+c	NO	YES													
	36510-0043	MM-B2400-R413-101	1	Au+Ni	1,2,3....16 a+c	YES	YES													
	36510-0044	MM-B2500-R413-101	2	Au+Ni	1,2,3....16 a+c	YES	YES													
	36510-0045	MM-B2600-R413-101	3	Au+Ni	1,2,3....16 a+c	YES	YES													
H																				

CONNECTOR WITH SEALING STRIP



RoHS COMPLIANT

EC No: 2007-0044 DRAWING: DRWINGATTI/MARAD 2006/10/10 CHECKED BY: CHKGDSDH/R 2006/10/11 APPROVED BY: APPR3SDH/R 2006/10/15	QUALITY SYMBOLS 	GENERAL TOLERANCES (UNLESS SPECIFIED) <table border="1"> <thead> <tr> <th></th> <th>mm</th> <th>INCH</th> </tr> </thead> <tbody> <tr> <td>4 PLACES</td> <td>± 0.15</td> <td>± 0.006</td> </tr> <tr> <td>3 PLACES</td> <td>± 0.05</td> <td>± 0.002</td> </tr> <tr> <td>2 PLACES</td> <td>± 0.1</td> <td>± 0.004</td> </tr> <tr> <td>1 PLACE</td> <td>± 0.15</td> <td>± 0.006</td> </tr> </tbody> </table>		mm	INCH	4 PLACES	± 0.15	± 0.006	3 PLACES	± 0.05	± 0.002	2 PLACES	± 0.1	± 0.004	1 PLACE	± 0.15	± 0.006	DIMENSION STYLE MM ONLY	SCALE 2:1	DESIGN UNITS METRIC	THIRD ANGLE PROJECTION
		mm	INCH																		
4 PLACES	± 0.15	± 0.006																			
3 PLACES	± 0.05	± 0.002																			
2 PLACES	± 0.1	± 0.004																			
1 PLACE	± 0.15	± 0.006																			
D1	DRAFT WHERE APPLICABLE MUST REMAIN WITHIN DIMENSIONS	DIMENSION STYLE MM ONLY	DRAWN BY: SS CHECKED BY: GJLOWE APPROVED BY: GJLOWE DATE: 1999/09/24	TITLE ASSEMBLY, DIN 41612 R/2 FEMALE, 32 POS A+C LOADED	MATERIAL NO. SEE CHART	DOCUMENT NO. SD-36510-002															

MOLEX INCORPORATED  
 THIS DRAWING CONTAINS INFORMATION THAT IS PROPRIETARY TO MOLEX INCORPORATED AND SHOULD NOT BE USED WITHOUT WRITTEN PERMISSION