

This filter is the same as the AA-0720-10 except that it has a wider operating temperature range.

Operating Voltage = 115/250 V~

Operating Current = 10 Amps

Operating Frequency = 50 / 60 Hz

Temperature Range = -40—70° C

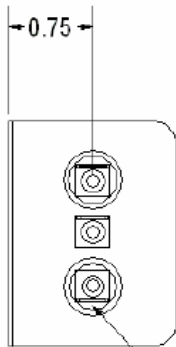
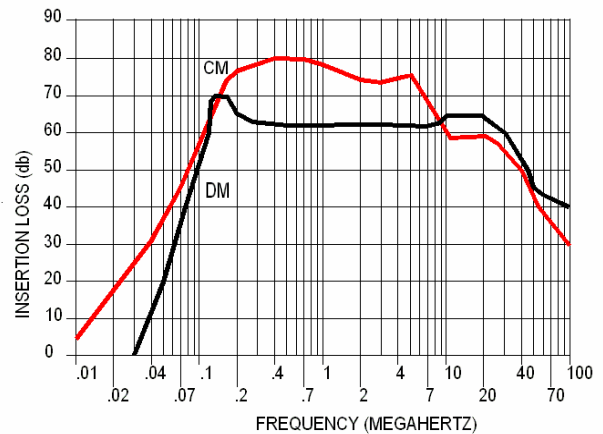
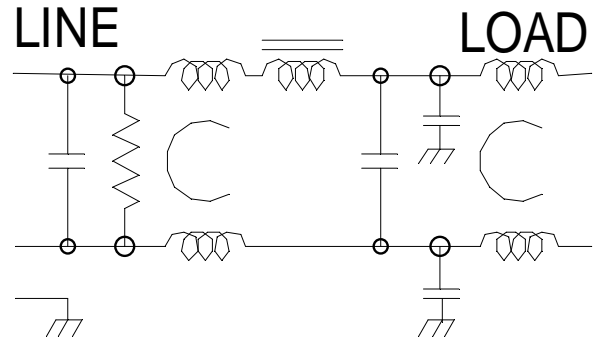
Diel. Withstand (L-CASE) = 1500 V~ FOR 1 MIN.

Diel. Withstand (L-L) = 1500 Vdc For 1 Min.

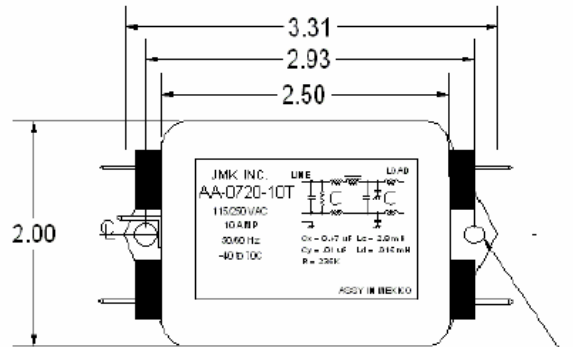
Leakage Current = 1.0 ma @ 250 V~, 60 Hz

Discharge Volt after 1.0 second = 34 V Max.

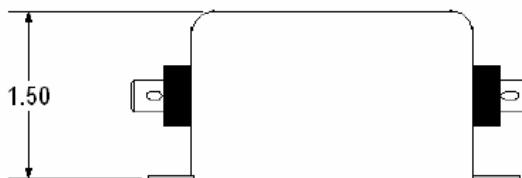
Order P/N: AA-0720-10T



.25 TAB TERM (5 PL)



.19 DIA (2 PL)



USA JMK Inc 15 Caldwell Dr. Amherst, NH 03031 PH: 603 886-4100 FX: 603 886-4115

email: info@jmkfilters.com

EUR JMK Inc Glasgow G13 1DN Scotland UK PH: 44-(0) 7785310729 FX: 44-(0) 141-589-1884