

PLEASE CHECK WWW.MOLEX.COM FOR LATEST PART INFORMATION

Part Number: [0945180400](#)
Status: **Active**
Description: High Normal Force (HNF) Female Terminal, For 6.3 x 0.8mm (".248x.031") Tabs, Unplated Brass, AWG 12-16

Documents:

[Drawing \(PDF\)](#) [RoHS Certificate of Compliance \(PDF\)](#)
[Product Specification PS-94518-006 \(PDF\)](#)

General

Product Family	Crimp Terminals
Series	94518
Crimp Quality Equipment	Yes
Product Name	High Normal Force (HNF) Termin

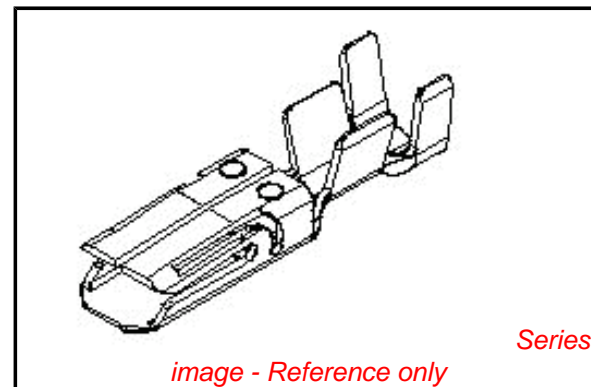
Physical

Gender	Female
Material - Metal	Brass
Material - Plating Mating	Unplated
Material - Plating Termination	Unplated
Packaging Type	Reel
Termination Interface: Style	Crimp or Compression
Wire Insulation Diameter	3.60-4.30mm(.142-.169")
Wire Size AWG	12, 14, 16
Wire Size mm ²	1.5 TO 3.00

Material Info

Reference - Drawing Numbers

Product Specification	PS-94518-006
Sales Drawing	SD-94518-005



EU RoHS

ELV and RoHS Compliant
REACH SVHC Contains SVHC: No
Halogen-Free Status
Not Reviewed

China RoHS



Need more information on product environmental compliance?

Email productcompliance@molex.com
 For a multiple part number RoHS Certificate of Compliance, [click here](#)

Please visit the [Contact Us](#) section for any non-product compliance questions.

Search Parts in this Series

[94518Series](#)

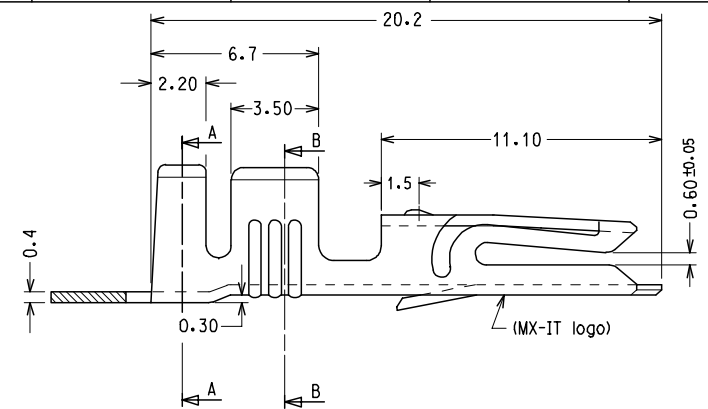
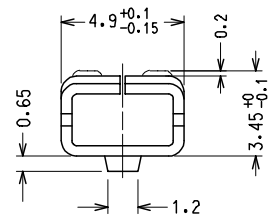
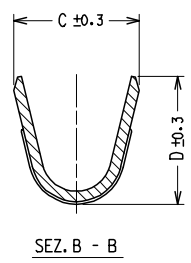
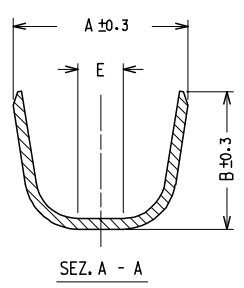
Application Tooling | [FAQ](#)

Tooling specifications and manuals are found by selecting the products below. Crimp Height Specifications are then contained in the Application Tooling Specification document.

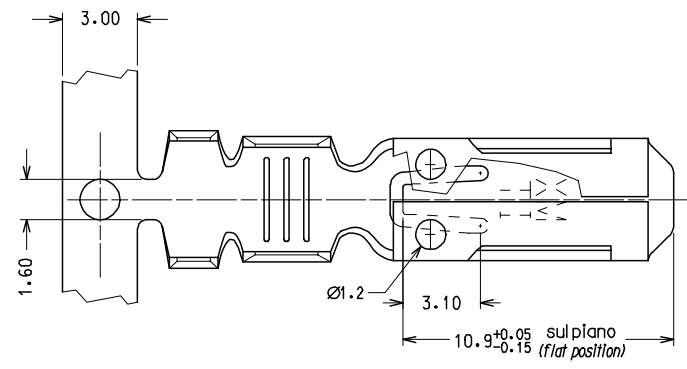
Global

Description	Product #
Extraction Tool	0638132700
Mini-Mac™	0638926100
Applicator	

10 9 8 7 6 5 4 3 2 1



CODICE P/N	FINITURA PLATING	MATERIALE MATERIAL	SEZ. RAME WIRE RANGE	Ø ISOLANTE INS. RANGE	DIMENSIONI					PZ./BOBINA PCS/REEL
					A	B	C	D	E	
94518 - 0100	GREGGIO/ PLAIN	OTTONE BRASS	0.5 - 1.0	2.2 - 2.8	4.5	4.5	3.0	3.0	/	3000
94518 - 0101	STAGNATO/ TIN									
94518 - 0120	GREGGIO/ PLAIN	BRONZO FOSF. PHOSP.BRONZE	1.0 - 2.5	2.6 - 3.8	5.5	5.5	4.1	4.3	/	2500
94518 - 0121	STAGNATO/ TIN									
94518 - 0200	GREGGIO/ PLAIN	OTTONE BRASS	PER CAVI SINGOLI E DOPPI (VEDERE FOGLIO 2/2)	—	7.3	5.1	5.2	4.0	1.8	2500
94518 - 0201	STAGNATO/ TIN									
94518 - 0220	GREGGIO/ PLAIN	BRONZO FOSF. PHOSP.BRONZE	1.5 - 3.0	—	5.5	5.5	5.0	5.1	/	2500
94518 - 0221	STAGNATO/ TIN									
94518 - 0400	GREGGIO/ PLAIN	OTTONE BRASS	PER CAVI DOPPI (VEDERE FOGLIO 2/2)	—	7.3	5.1	5.2	4.0	1.8	2500
94518 - 0401	STAGNATO/ TIN									
94518 - 0300	GREGGIO/ PLAIN	OTTONE BRASS	4.0	3.4 - 3.7	5.5	5.5	5.0	5.1	/	2500
94518 - 0301	STAGNATO/ TIN									

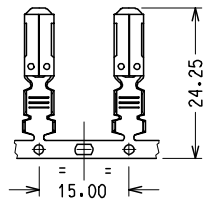
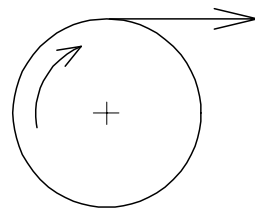


CONFEZIONE:
N° 5 bobine con carta intermedia per box.

PACKING:
N° 5 reels with Interleaf paper/box

Std. Descr.: HNF TERM (material-plating-wire range)

SENSO DI SVOLGIMENTO PER MINIAPPLICATORE
DIRECTION OFF REEL



EC NO: Z2005-0129	2005/03/31	2005/03/31	2005/04/01
DRAWN:FGOTTARD	CHKD:RSANDANO	APP:GZUIN	DESCRIPTION

QUALITY SYMBOLS	▽=0	▽=0
-----------------	-----	-----

GENERAL TOLERANCES (UNLESS SPECIFIED)	
	mm INCH
4 PLACES	± --- ± ---
3 PLACES	± --- ± ---
2 PLACES	± 0.10 ± ---
1 PLACE	± 0.2 ± ---
ANGULAR ± 2 °	
DRAFT WHERE APPLICABLE MUST REMAIN WITHIN DIMENSIONS	

DIMENSION STYLE	
MM ONLY	
DRAWN BY	DATE
FGOTTARD	1992/10/01
CHECKED BY	DATE
APPROVED BY	DATE
MPREVIAT	1992/10/01
MATERIAL NO.	DOCUMENT NO.
SEE CHART	SD-94518-005

SCALE	DESIGN UNITS	FIRST ANGLE PROJECTION
5:1	METRIC	⊙ □
TITLE		
HNF FEMALE TERMINAL FOR 6.3 X 0.8 TABS		
MOLEX INCORPORATED		
DOCUMENT NO.		SHEET NO.
SD-94518-005		1 OF 1
THIS DRAWING CONTAINS INFORMATION THAT IS PROPRIETARY TO MOLEX INCORPORATED AND SHOULD NOT BE USED WITHOUT WRITTEN PERMISSION		

9 8 7 6 5 4 3 2 1