

PLEASE CHECK WWW.MOLEX.COM FOR LATEST PART INFORMATION

Part Number: [0901190110](#)
Status: **Active**
Overview: [cgrid_iii](#)
Description: C-Grid III™ Crimp Terminal, 22-24 AWG, Reel, 0.38µm (15µ") Selective Gold (Au)

Documents:

[3D Model](#) [RoHS Certificate of Compliance \(PDF\)](#)
[Drawing \(PDF\)](#)

General

Product Family	Crimp Terminals
Series	90119
Comments	Left-hand feed
Crimp Quality Equipment	Yes
Overview	cgrid_iii
Product Name	C-Grid III™

Physical

Gender	Female
Material - Metal	Phosphor Bronze
Material - Plating Mating	Gold
Material - Plating Termination	Tin
Packaging Type	Reel
Plating min: Mating (µin)	15.2
Plating min: Mating (µm)	0.38
Plating min: Termination (µin)	120
Plating min: Termination (µm)	3
Termination Interface: Style	Crimp or Compression
Wire Insulation Diameter	1.02-1.47mm (.040-.058")
Wire Size AWG	22, 24
Wire Size mm²	N/A

Material Info

Reference - Drawing Numbers

Sales Drawing [SD-90119](#)

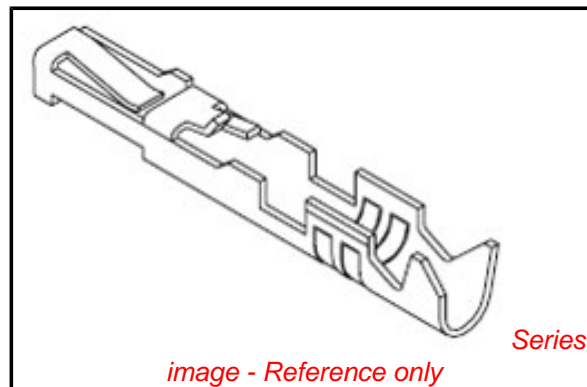


image - Reference only

EU RoHS

ELV and RoHS Compliant
REACH SVHC
Contains SVHC: No
Halogen-Free Status

China RoHS



Halogen-Free

Need more information on product environmental compliance?

Email productcompliance@molex.com
 For a multiple part number RoHS Certificate of Compliance, [click here](#)

Please visit the [Contact Us](#) section for any non-product compliance questions.

Search Parts in this Series

[90119Series](#)

Use With

C-Grid III™ Modular Crimp Housing [90156](#) ,
[90123](#) , [90142](#) , [90143](#) , [90160](#)

Application Tooling | FAQ

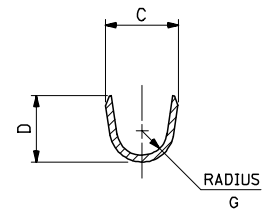
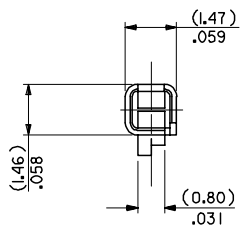
Tooling specifications and manuals are found by selecting the products below. Crimp Height Specifications are then contained in the Application Tooling Specification document.

Global

Description	Product #
C-Grid Insertion Tool	0690080140
Extraction Aid	0690080003
Hand Crimp Tool	0638190200
T2 Terminator Die	0638514100
FineAdjust™ Applicator	0638614100

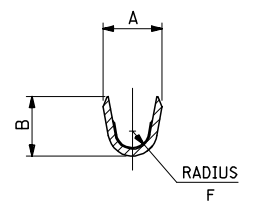
PLEASE CHECK WWW.MOLEX.COM FOR LATEST PART INFORMATION

SECTION X-X



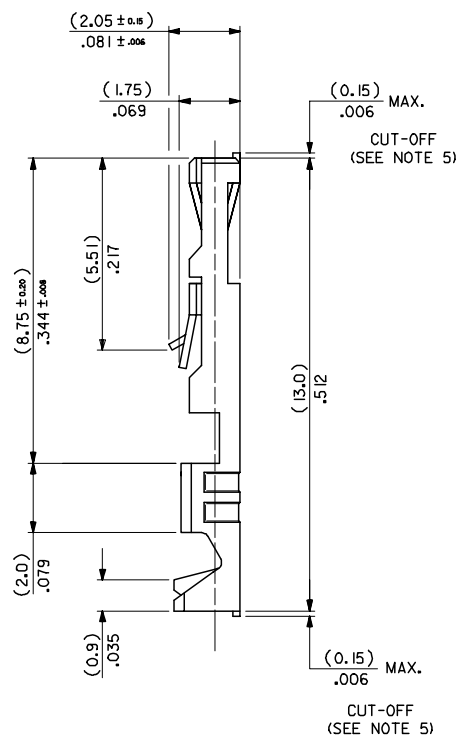
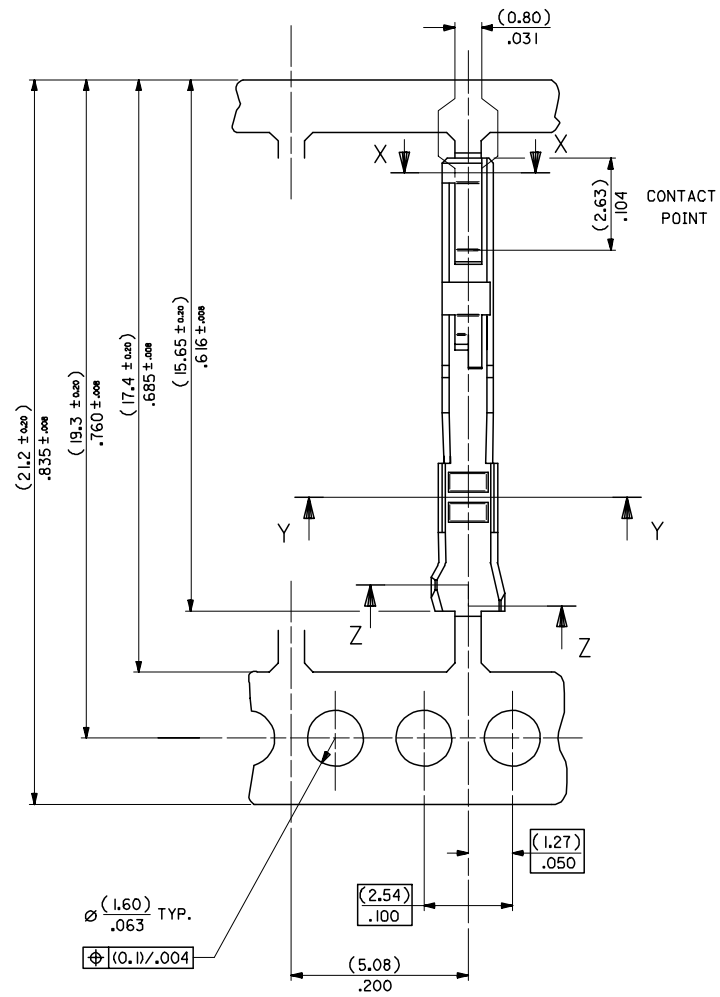
SECTION Z-Z

INSULATION BARREL



SECTION Y-Y

WIRE BARREL



NOTES:

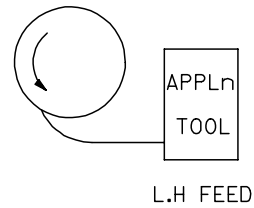
1. MATERIAL -
PHOSPHOR BRONZE CDA 521
THICKNESS: (0.200) / .008
TENSILE STRENGTH: 655-760 N/mm²
PLATING - SEE SHEET 2
2. FOR DIMENSIONS A, B, C, D, F & G
SEE SHEET 2
3. FOR WIRE SIZE & INSULATION DIA
SEE SHEET 2
4. THIS TERMINAL TO MATE WITH
(0.635) / .025 SQUARE PIN
5. MAX BURR AFTER CUT-OFF
(0.025) / .001

REMOVED LEAD REF. EC NO. E2006-0155 DRAWN: JDENNEHY 2005/08/29 CHKD: DMORIARTY 2005/08/29 APPR: JDENNEHY 2005/09/05	QUALITY SYMBOLS ▽=0 ▽=0	GENERAL TOLERANCES (UNLESS SPECIFIED)		DIMENSION STYLE MM ONLY		SCALE 10:1	DESIGN UNITS METRIC	THIRD ANGLE PROJECTION	
		mm	INCH	DRAWN BY NPC	DATE 1987/08/27	TITLE C-GRID III FEMALE CRIMP TERMINAL			
REV	DESCRIPTION	4 PLACES ± ---	± ---	CHECKED BY D.MORIARTY	DATE 2005/08/26	MOLEX INCORPORATED			
		3 PLACES ± ---	± .004	APPROVED BY JDENNEHY	DATE 2005/08/26				
		2 PLACES ± 0.1	± .008	MATERIAL NO. SD-90119		DOCUMENT NO. SD-90119		SHEET NO. 1 OF 2	
		1 PLACE ± 0.2	± ---	DRAFT WHERE APPLICABLE MUST REMAIN WITHIN DIMENSIONS					
		ANGULAR ± 5 °		SEE CHART					
		THIS DRAWING CONTAINS INFORMATION THAT IS PROPRIETARY TO MOLEX INCORPORATED AND SHOULD NOT BE USED WITHOUT WRITTEN PERMISSION							

10 9 8 7 6 5 4 3 2 1

PART No	PLATING	REELING	WIRE SIZE (AWG)	INSULATION RANGE	CRIMP DIMENSIONS					
					WIRE BARREL			INSULATION BARREL		
					A $\pm \frac{(0.15)}{.006}$	B $\pm \frac{(0.15)}{.006}$	F $\pm \frac{(0.15)}{.006}$	C $\pm \frac{(0.15)}{.006}$	D $\pm \frac{(0.15)}{.006}$	G $\pm \frac{(0.15)}{.006}$
90119-0109	A	L.H FEED	22,24	(1.02-1.47)	(1.70)	(1.70)	(0.51)	(2.10)	(1.90)	(0.70)
-0110	E			.040-.058	.067	.067	0.20	.083	.075	0.27
-0111	F			26,28	(0.76-1.22)	(1.37)	(1.37)	(0.28)	(2.00)	(1.70)
-0120	A		.030-.048		.054	.054	0.11	.079	.067	0.24
-0121	E		22,24		(1.02-1.47)	(1.70)	(1.70)	(0.51)	(2.10)	(1.90)
-0122	F			.040-.058	.067	.067	0.20	.083	.075	0.27
-2109	A	26,28		(0.76-1.22)	(1.37)	(1.37)	(0.28)	(2.00)	(1.70)	(0.60)
-2110	E		.030-.048	.054	.054	0.11	.079	.067	0.24	
-2111	F		LOOSE PIECE PARTS	(1.02-1.47)	(1.70)	(1.70)	(0.51)	(2.10)	(1.90)	(0.70)
-2120	A	.040-.058		.067	.067	0.20	.083	.075	0.27	
-2121	E	90119-2122		(0.76-1.22)	(1.37)	(1.37)	(0.28)	(2.00)	(1.70)	(0.60)
-2122	F		.030-.048	.054	.054	0.11	.079	.067	0.24	

TYPE	PLATING
A	PRE-PLATED HOT DIP TIN (1.0 to 2.5 um)/.00004 TO .0001
E	(1.27 TO 1.78um)/.00005 TO .00007 NICKEL OVERALL. (0.38 TO 0.64um)/.000015 TO .000025 GOLD ON CONTACT AREA. (3.0 TO 5.0 um)/.00012 TO .0002 TIN ON TERMINATION AREA.
F	(1.27 TO 1.78um)/.00005 TO .00007 NICKEL OVERALL. (0.76 TO 01.0 um)/.00003 TO .00004 GOLD ON CONTACT AREA. (3.0 TO 5.0 um)/.00012 TO .0002 TIN ON TERMINATION AREA.



REMOVED LEAD REF. EC NO: E2006-0155 DRWN: DENNEHY 2005/08/29 CHKD:DMORIARTY 2005/08/29 APPR: DENNEHY 2005/09/05	DESCRIPTION REV K	QUALITY SYMBOLS ▽=0 ◻=0	GENERAL TOLERANCES (UNLESS SPECIFIED) <table border="1"> <tr> <td></td> <td>mm</td> <td>INCH</td> </tr> <tr> <td>4 PLACES</td> <td>±---</td> <td>±---</td> </tr> <tr> <td>3 PLACES</td> <td>±---</td> <td>±---</td> </tr> <tr> <td>2 PLACES</td> <td>±---</td> <td>±---</td> </tr> <tr> <td>1 PLACE</td> <td>±---</td> <td>±---</td> </tr> <tr> <td colspan="3">ANGULAR ±---°</td> </tr> </table>		mm	INCH	4 PLACES	±---	±---	3 PLACES	±---	±---	2 PLACES	±---	±---	1 PLACE	±---	±---	ANGULAR ±---°			DIMENSION STYLE MM ONLY DRAWN BY KS DATE 1987/09/01 CHECKED BY DMORIARTY DATE 2005/08/26 APPROVED BY JDENNEHY DATE 2005/08/26	SCALE --- DESIGN UNITS METRIC THIRD ANGLE PROJECTION
			mm	INCH																			
		4 PLACES	±---	±---																			
		3 PLACES	±---	±---																			
2 PLACES	±---	±---																					
1 PLACE	±---	±---																					
ANGULAR ±---°																							
DRAFT WHERE APPLICABLE MUST REMAIN WITHIN DIMENSIONS			SEE CHART	TITLE C-GRID III FEMALE CRIMP TERMINAL																			
			MATERIAL NO.	DOCUMENT NO. SD-90119																			
			SIZE A3	SHEET NO. 2 OF 2																			

9 8 7 6 5 4 3 2 1