

PLEASE CHECK WWW.MOLEX.COM FOR LATEST PART INFORMATION

Part Number: **0512381215**
Status: **Active**
Description: CRC™ Shielded Rectangular I/O Receptacle Housing for Female Terminal, Signal, 12 Circuits, Polarization Type D, Polarization Position A-2

Documents:

[Drawing \(PDF\)](#) [Product Specification PS-51238-018 \(PDF\)](#)
[Product Specification PS-51238-010 \(PDF\)](#) [RoHS Certificate of Compliance \(PDF\)](#)

Agency Certification

| | |
|-----|-----------|
| CSA | LR19980 |
| TUV | R72081037 |
| UL | E29179 |

General

| | |
|----------------|---------------------------|
| Product Family | I/O Connectors |
| Series | 51238 |
| Application | Panel-Mount, Wire-to-Wire |
| Component Type | Housing |
| Product Name | CRC™ |
| Type | N/A |

Physical

| | |
|--------------------------------|-----------------|
| Boot Color | N/A |
| Circuits (Loaded) | N/A |
| Circuits (maximum) | 12 |
| Color - Resin | Black |
| Durability (mating cycles max) | 100 |
| Flammability | 94V-0 |
| Gender | Receptacle |
| Keying to Mating Part | Yes |
| Lock to Mating Part | Yes |
| Material - Metal | Stainless Steel |
| Material - Plating Mating | n/a |
| Material - Resin | Polyester |
| Number of Rows | 4 |
| Orientation | Vertical |
| PCB Locator | No |
| Packaging Type | Tray |
| Panel Mount | Front, Rear |
| Pitch - Mating Interface (in) | 0.118 In |
| Pitch - Mating Interface (mm) | 3.00 mm |
| Pitch - Term. Interface (in) | 0.118 In |
| Pitch - Term. Interface (mm) | 3.00 mm |
| Polarized to Mating Part | Yes |
| Polarized to PCB | N/A |
| Ports | 1 |
| Surface Mount Compatible (SMC) | N/A |
| Temperature Range - Operating | -40°C to +105°C |
| Termination Interface: Style | N/A |
| Waterproof / Dustproof | No |

Electrical

| | |
|-------------------------------|------------------|
| Current - Maximum per Contact | 1A, 2A, 3A, 4A |
| Shielded | No |
| Voltage - Maximum | 250V AC (RMS)/DC |



image - Reference only

EU RoHS

ELV and RoHS Compliant
REACH SVHC Contains SVHC: No
Halogen-Free Status Not Reviewed

China RoHS



Need more information on product environmental compliance?

Email productcompliance@molex.com
 For a multiple part number RoHS Certificate of Compliance, [click here](#)

Please visit the [Contact Us](#) section for any non-product compliance questions.

Search Parts in this Series

51238Series

Mates With

51234-120X plug housing|55836-120X plug assembly set

Use With

56377-120* receptacle shell|56120, 56121 female terminal

Material Info

Reference - Drawing Numbers

Product Specification

Sales Drawing

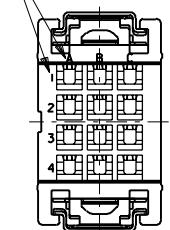
PS-51238-010, PS-51238-018, RPS-51238-001

SD-51238-007

This document was generated on 04/12/2010

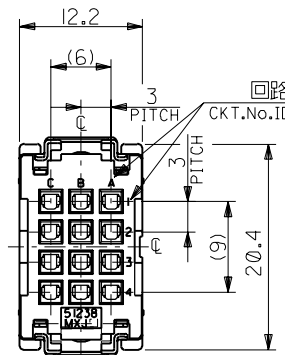
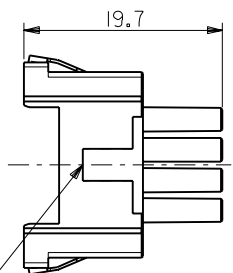
PLEASE CHECK WWW.MOLEX.COM FOR LATEST PART INFORMATION

回路番号表示
CKT.No.IDENTIFICATION



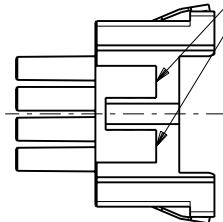
電線挿入側
WIRE SIDE

シェル挿入方向キー
POLARIZATIONS KEY FOR SHELL



嵌合側
MATING SIDE

シェル挿入方向キー
POLARIZATIONS KEY FOR SHELL



注記
NOTES

- 材質
MATERIAL
①ハウジング：ガラス入りPBT樹脂
HOUSING : PBT G.F.
UL94V-0 色：黒
UL94V-0 COLOR : BLACK
②スプリング：ステンレス鋼 t0.3
SPRING : STAINLESS STEEL t0.3
- 適用端子：56120-8*90 , 56121-8*90
APPLICABLE CRIMP PIN : 56120-8*90 , 56121-8*90
- 適用リセプタクル シェル：56377-12**
APPLICABLE RECEPTACLE SHELL : 56377-12**
- 嵌合相手：51234-120*
MEET WITH : 51234-120*

<誤嵌合防止キー（極性）タイプ> <POLARITY KEY TYPE>

| | | | | |
|---------------|------------|------------|------------|------------|
| 51238-1211 | 51238-1212 | 51238-1213 | 51238-1214 | 51238-1215 |
| | | | | |
| STANDARD TYPE | A TYPE | B TYPE | C TYPE | D TYPE |

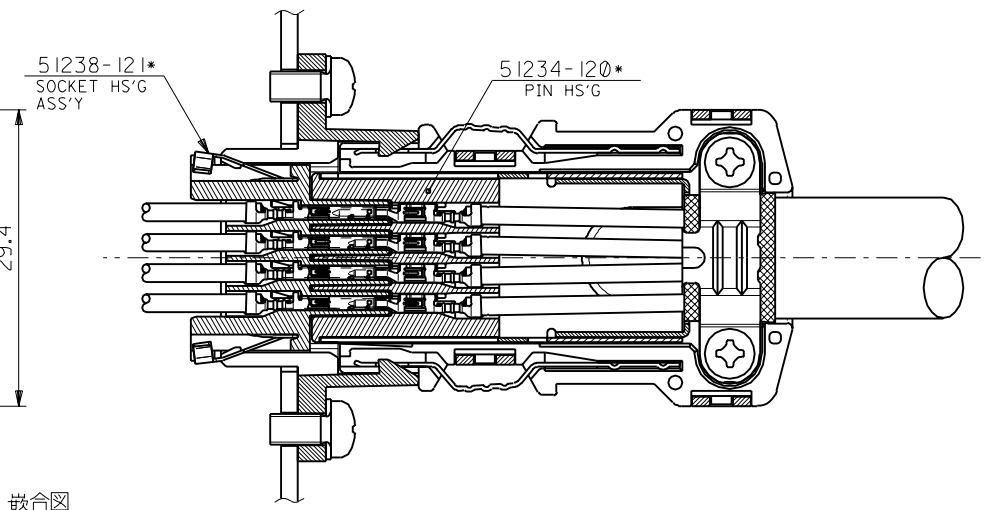
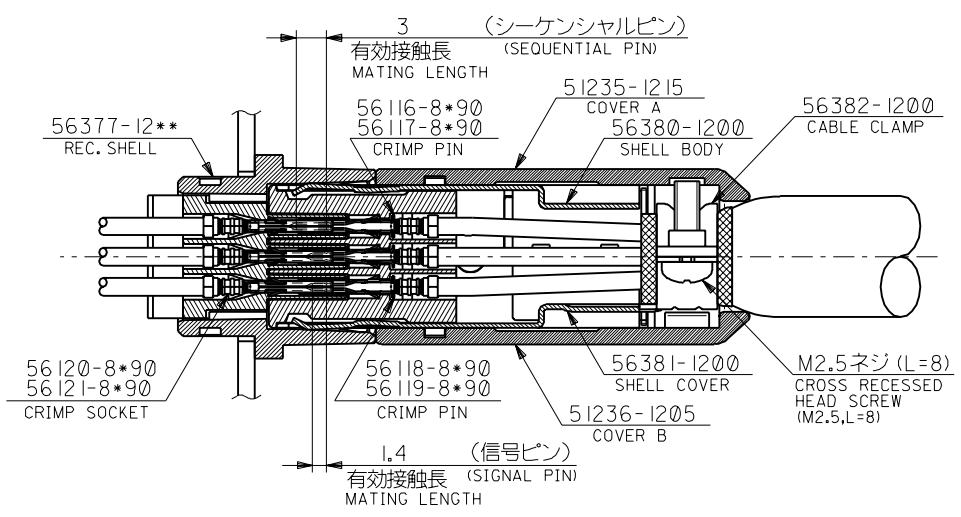
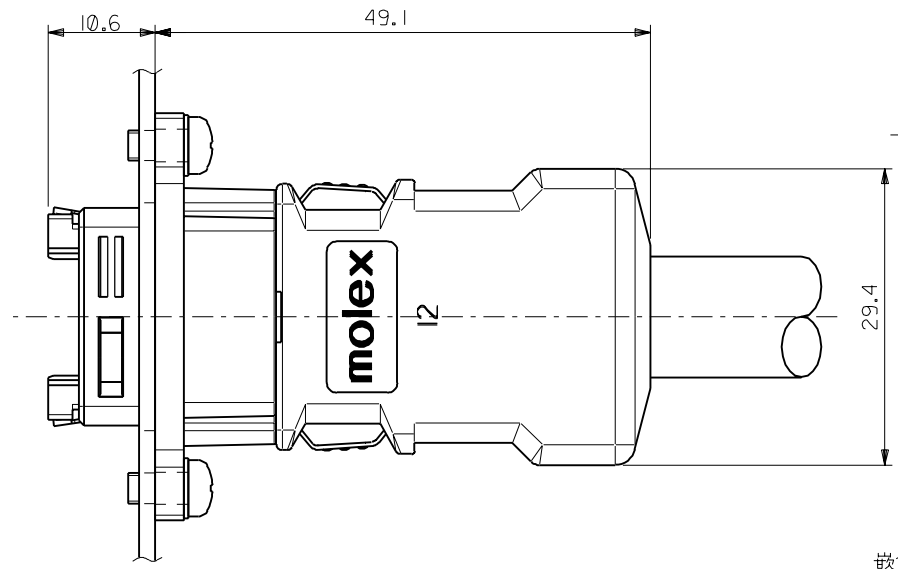
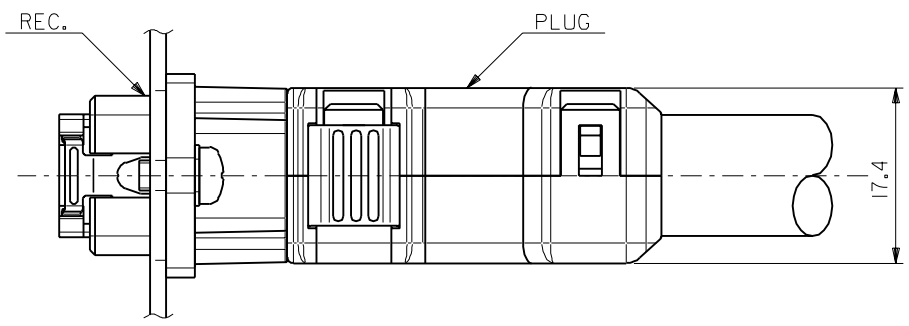
| | | | | |
|---------------------------------|---------------|--------------|-------------|---------|
| A-2 | D | 51238-1215 | 51238-***1* | 12 |
| C-3 | C | 51238-1214 | | |
| B-3 | B | 51238-1213 | | |
| B-2 | A | 51238-1212 | | |
| — | STANDARD | 51238-1211 | | |
| POLARITY POSITION (CIRCUIT No.) | POLARITY TYPE | MATERIAL No. | MODEL No. | CIRCUIT |

DO NOT SCALE DRAWING

| | | | | | | | | | | | |
|----------------------------------|----------------------------------|----------------------------------|---|--------------------|---|--------------|--|---------------------------|--------------------------------|---------------------|------------------------------|
| EC NO. DRWN: CHK: APPR: | EC NO. DRWN: CHK: APPR: | EC NO. DRWN: CHK: APPR: | REVISED 01/10/04 | MATERIAL 材料 | GENERAL TOLERANCES: (UNLESS SPECIFIED) 一般公差 | SCALE 2-1 | DESIGN UNITS mm INCH | THIRD ANGLE PROJECTION | DIMENSIONS: mm INCH mm ONLY | SHT | REV REVISE ON CAD ONLY |
| | | | EC NO. J2002-0786 DRWN: S.AKIYAMA CHK: J.MIYAZAWA APPR: YO.ITO | | | | | | | | |
| A | 0 | | RELEASED 01/02/16 | FINISH 仕上げ | 10 OVER 30 UNDER 以上 未満 | ±0.25 | APPROVED BY & DATE J. Miyazawa / Y. Ito | MATERIAL NO. SEE CHART | DRAWING NO. SD-51238-007 | SHEET NO. 1 OF 4 | |
| | | | EC NO. JD2001-1040 DRWN: S.AKIYAMA CHK: J.MIYAZAWA APPR: H.IKESUGI | | | | | | | | WIRE RANGE 適用電線範囲 |
| | | | | INS. RANGE 被覆外径 | | ANGLE 角度 | ±3° | MATERIAL NO. SEE CHART | DRAWING NO. SD-51238-007 | SHEET NO. 1 OF 4 | |

THIS DRAWING CONTAINS INFORMATION THAT IS PROPRIETARY TO MOLEX INCORPORATED AND SHOULD NOT BE USED WITHOUT WRITTEN PERMISSION.

DWG. NO. SD-51238-007



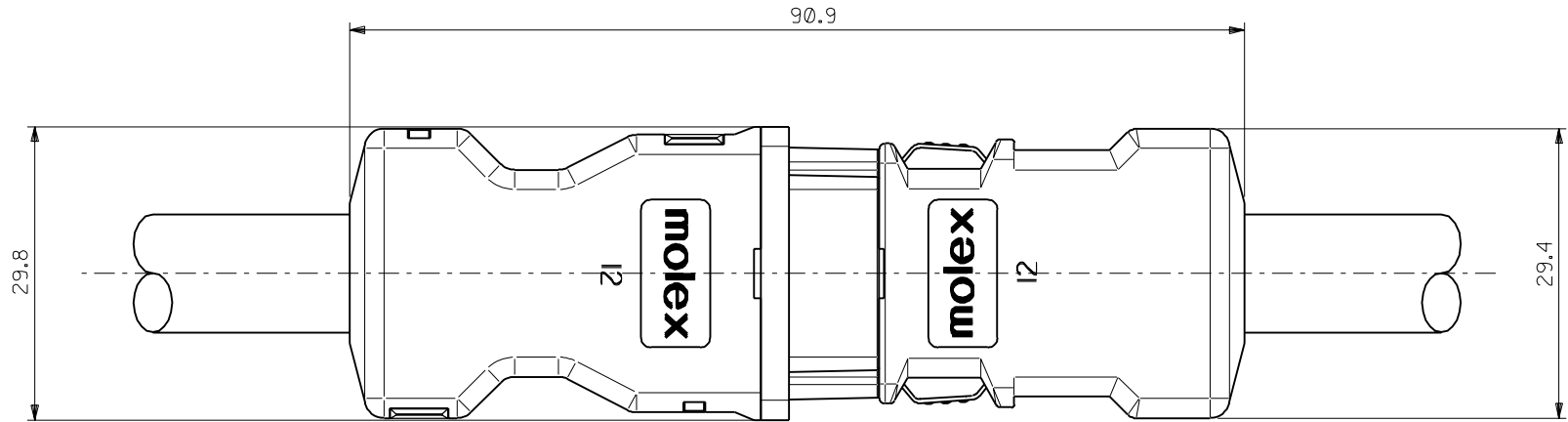
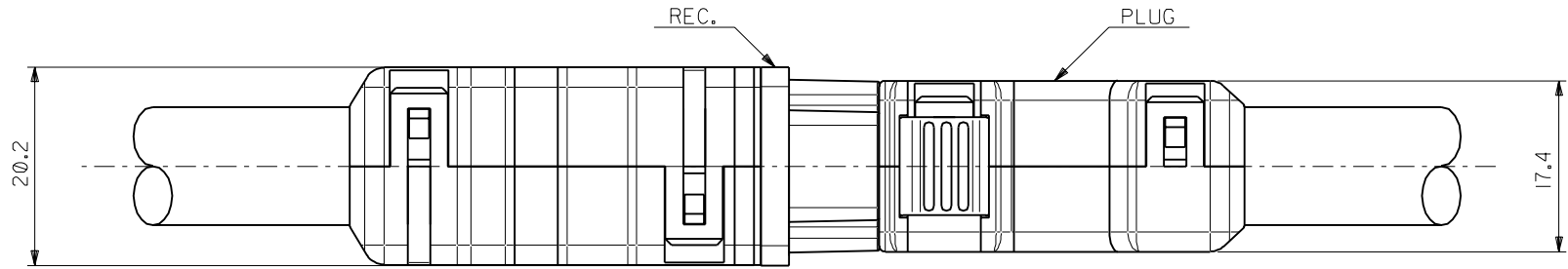
嵌合図
CROSS-SECTION VIEW OF MATED CONNECTOR

DO NOT SCALE DRAWING

| | | | | | | | | | | | |
|----------------------------------|----------------------------------|----------------------------------|---|--------------------|---|----------------|-------------------------------|--|---------------------------------------|------------------------------|---------------------|
| EC NO. DRWN: CHK: APPR: | EC NO. DRWN: CHK: APPR: | EC NO. DRWN: CHK: APPR: | REVISED 01/10/04 | MATERIAL 材料 | GENERAL TOLERANCES: (UNLESS SPECIFIED) 一般公差 | SCALE 2-1 | DESIGN UNITS mm □ INCH | THIRD ANGLE PROJECTION | DIMENSIONS: mm □ INCH mm □ INCH | SHT REVISE ON CAD ONLY | REV |
| | | | EC NO. J2002-0786 DRWN: S.AKIYAMA CHK: J.MIYAZAWA APPR: YO.ITO | | | | | | | | |
| A | Ø | Ø | RELEASED 01/02/16 | FINISH 仕上げ | 10 OVER 以上 | 30 UNDER 未満 | ±0.25 | CHECKED BY & DATE <i>J. Mizuno</i> / 2/06 | MATERIAL NO. SEE CHART | DRAWING NO. SD-51238-007 | SHEET NO. 2 OF 4 |
| | | | EC NO. JD2001-1040 DRWN: S.AKIYAMA CHK: J.MIYAZAWA APPR: H.IKESUGI | | | | | | | | |
| | | | | INS. RANGE 被覆外径 | ANGLE 角度 | ±3° | CAD FILE NAME 51238007.S01 | MATERIAL NO. SEE CHART | DRAWING NO. SD-51238-007 | SHEET NO. 2 OF 4 | SIZE B |

THIS DRAWING CONTAINS INFORMATION THAT IS PROPRIETARY TO MOLEX INCORPORATED AND SHOULD NOT BE USED WITHOUT WRITTEN PERMISSION.

51238007.S02

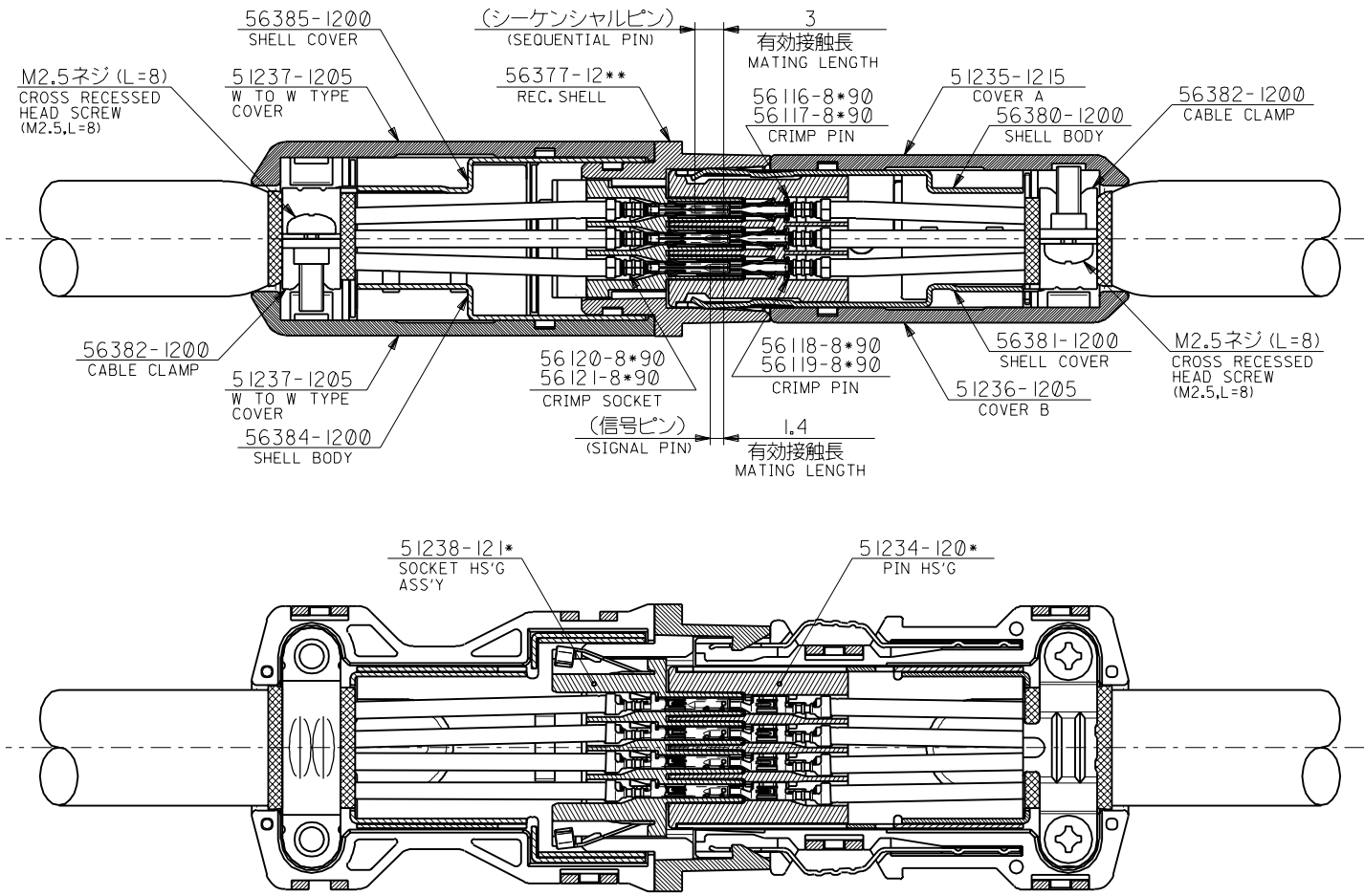


嵌合図 (中継タイプ)
CROSS-SECTION VIEW OF MATED CONNECTOR
(WIRE TO WIRE TYPE)

DO NOT SCALE DRAWING

| | | | | | | | | | | | | |
|----------------------------------|----------------------------------|----------------------------------|-------------------|----------------------|---|-------------------|--------------------|---|--|--|----------------------------------|-------------------------|
| EC NO. DRWN: CHK: APPR: | EC NO. DRWN: CHK: APPR: | EC NO. DRWN: CHK: APPR: | REVISED 01/10/04 | MATERIAL 材料 | GENERAL TOLERANCES: (UNLESS SPECIFIED) 一般公差 | SCALE | DESIGN UNITS | THIRD ANGLE PROJECTION | DIMENSIONS: | | SHT | REV |
| | | | EC NO. J2002-0786 | | | 注記参照 SEE NOTES | 2-1 | | mm <input checked="" type="checkbox"/> INCH <input type="checkbox"/> | <input type="checkbox"/> mm <input type="checkbox"/> INCH | <input type="checkbox"/> mm ONLY | REVISION ON CAD ONLY |
| A | 0 | A | DRWN: S.AKIYAMA | FINISH 仕上げ | 10 UNDER | CHECKED BY & DATE | APPROVED BY & DATE | TITLE: COMPACT ROBOT CONN. (CRC) REC. SOCKET HS'G ASS'Y | | | | |
| | | | CHK: J.MIYAZAWA | | 30 UNDER | | | | | | | 10 OVER |
| | | | APPR: YO.ITO | WIRE RANGE 適用電線範囲 | 30 OVER | 30 OVER | 51238007.S03 | MOLEX INCORPORATED | | MATERIAL NO. | DRAWING NO. | SHEET NO. |
| | | | RELEASED 01/02/16 | INS. RANGE 被覆外径 | ANGLE 角度 | 3* | SEE CHART | SD-51238-007 | 3 OF 4 | THIS DRAWING CONTAINS INFORMATION THAT IS PROPRIETARY TO MOLEX INCORPORATED AND SHOULD NOT BE USED WITHOUT WRITTEN PERMISSION. | | |

DWG. NO. SD-51238-007



嵌合図 (中継タイプ)
CROSS-SECTION VIEW OF MATED CONNECTOR
(WIRE TO WIRE TYPE)

DO NOT SCALE DRAWING

| | | | | | | | | | | | |
|----------------------------------|----------------------------------|----------------------------------|---|----------------|---|-------------------------------|--|---|---|--|-----|
| EC NO. DRWN: CHK: APPR: | EC NO. DRWN: CHK: APPR: | EC NO. DRWN: CHK: APPR: | REVISED 01/10/04 | MATERIAL 材料 | GENERAL TOLERANCES: (UNLESS SPECIFIED) 一般公差 | SCALE 2-1 | DESIGN UNITS <input checked="" type="checkbox"/> mm <input type="checkbox"/> INCH | THIRD ANGLE PROJECTION | DIMENSIONS: <input type="checkbox"/> mm <input type="checkbox"/> INCH <input checked="" type="checkbox"/> mm ONLY | SHT | REV |
| | | | EC NO. J2002-0786 DRWN: S.AKIYAMA CHK: J.MIYAZAWA APPR: YO.IITO | | | | | | | | |
| A | 0 | 0 | RELEASED 01/02/16 | FINISH 仕上げ | 10 OVER 30 UNDER 以上 未満 | ±0.25 | ±0.3 | APPROVED BY & DATE <i>J. Miyazawa</i> / 3/06 | MATERIAL NO. SEE CHART | | |
| | | | EC NO. JD2001-1040 DRWN: S.AKIYAMA CHK: J.MIYAZAWA APPR: H.IKESUGI | | | | | | WIRE RANGE 適用電線範囲 | 30 OVER 以上 | ±3° |
| | | | INS. RANGE 被覆外径 | ANGLE 角度 | | CAD FILE NAME 51238007.S04 | | MATERIAL NO. SEE CHART | | THIS DRAWING CONTAINS INFORMATION THAT IS PROPRIETARY TO MOLEX INCORPORATED AND SHOULD NOT BE USED WITHOUT WRITTEN PERMISSION. | |

51238007.S04