

**PLEASE CHECK WWW.MOLEX.COM FOR LATEST PART INFORMATION**

**Part Number:** **0512381213**  
**Status:** **Active**  
**Description:** CRC™ Shielded Rectangular I/O Receptacle Housing for Female Terminal, Signal, 12 Circuits, Polarization Type B, Polarization Position B-3

**Documents:**

[Drawing \(PDF\)](#) [Product Specification PS-51238-018 \(PDF\)](#)  
[Product Specification PS-51238-010 \(PDF\)](#) [RoHS Certificate of Compliance \(PDF\)](#)

**Agency Certification**

CSA	LR19980
TUV	R72081037
UL	E29179

**General**

Product Family	I/O Connectors
Series	51238
Application	Panel-Mount, Wire-to-Wire
Component Type	Housing
Product Name	CRC™
Type	N/A

**Physical**

Boot Color	N/A
Circuits (Loaded)	N/A
Circuits (maximum)	12
Color - Resin	Black
Durability (mating cycles max)	100
Flammability	94V-0
Gender	Receptacle
Keying to Mating Part	Yes
Lock to Mating Part	Yes
Material - Metal	Stainless Steel
Material - Plating Mating	n/a
Material - Resin	Polyester
Number of Rows	4
Orientation	Vertical
PCB Locator	No
Packaging Type	Tray
Panel Mount	Front, Rear
Pitch - Mating Interface (in)	0.118 In
Pitch - Mating Interface (mm)	3.00 mm
Pitch - Term. Interface (in)	0.118 In
Pitch - Term. Interface (mm)	3.00 mm
Polarized to Mating Part	Yes
Polarized to PCB	N/A
Ports	1
Surface Mount Compatible (SMC)	N/A
Temperature Range - Operating	-40°C to +105°C
Termination Interface: Style	N/A
Waterproof / Dustproof	No

**Electrical**

Current - Maximum per Contact	1A, 2A, 3A, 4A
Shielded	No
Voltage - Maximum	250V AC (RMS)/DC



image - Reference only

**EU RoHS**

**ELV and RoHS Compliant**  
**REACH SVHC Contains SVHC: No**  
**Halogen-Free Status**  
**Not Reviewed**

**China RoHS**



**Need more information on product environmental compliance?**

Email [productcompliance@molex.com](mailto:productcompliance@molex.com)  
 For a multiple part number RoHS Certificate of Compliance, [click here](#)

Please visit the [Contact Us](#) section for any non-product compliance questions.

**Search Parts in this Series**

51238Series

**Mates With**

51234-120X plug housing|55836-120X plug assembly set

**Use With**

56377-120\* receptacle shell|56120, 56121 female terminal

**Material Info**

**Reference - Drawing Numbers**

Product Specification

Sales Drawing

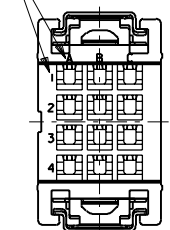
PS-51238-010, PS-51238-018, RPS-51238-001

SD-51238-007

This document was generated on 04/12/2010

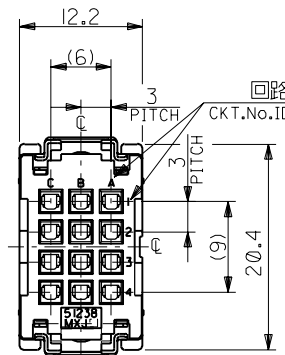
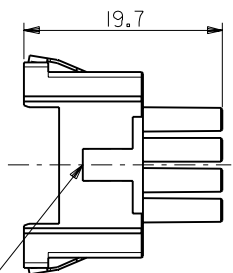
**PLEASE CHECK [WWW.MOLEX.COM](http://WWW.MOLEX.COM) FOR LATEST PART INFORMATION**

回路番号表示  
CKT.No.IDENTIFICATION



電線挿入側  
WIRE SIDE

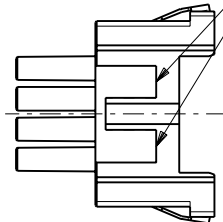
シェル挿入方向キー  
POLARIZATIONS KEY FOR SHELL



嵌合側  
MATING SIDE

回路番号表示  
CKT.No.IDENTIFICATION

シェル挿入方向キー  
POLARIZATIONS KEY FOR SHELL



注記  
NOTES

- 材質  
MATERIAL  
①ハウジング：ガラス入りPBT樹脂  
HOUSING : PBT G.F.  
UL94V-0 色：黒  
UL94V-0 COLOR : BLACK  
②スプリング：ステンレス鋼 t0.3  
SPRING : STAINLESS STEEL t0.3
- 適用端子：56120-8\*90 , 56121-8\*90  
APPLICABLE CRIMP PIN : 56120-8\*90 , 56121-8\*90
- 適用リセプタクル シェル：56377-12\*\*  
APPLICABLE RECEPTACLE SHELL : 56377-12\*\*
- 嵌合相手：51234-120\*  
MEET WITH : 51234-120\*

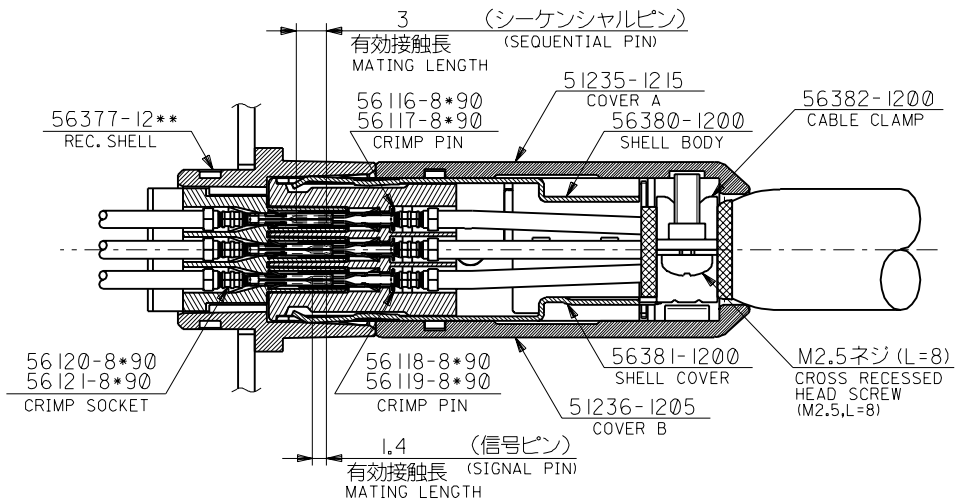
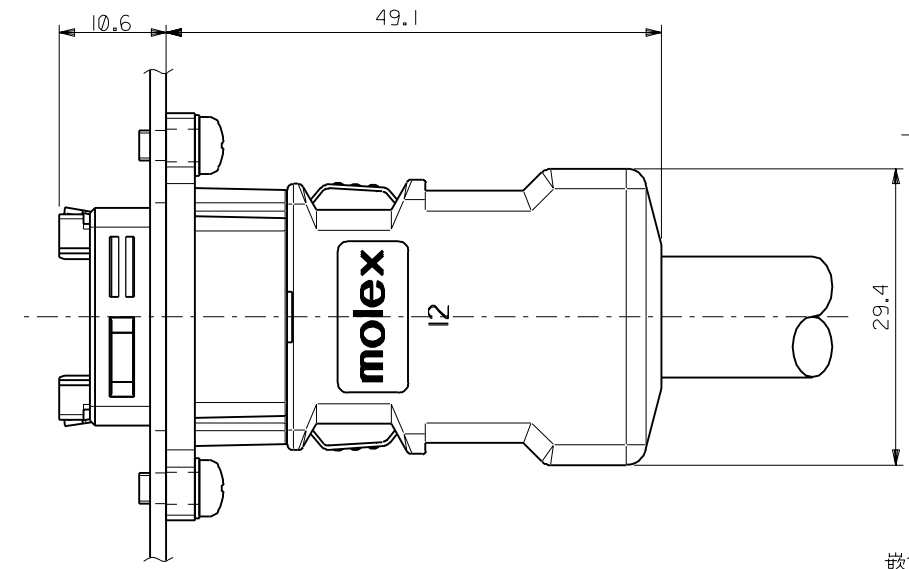
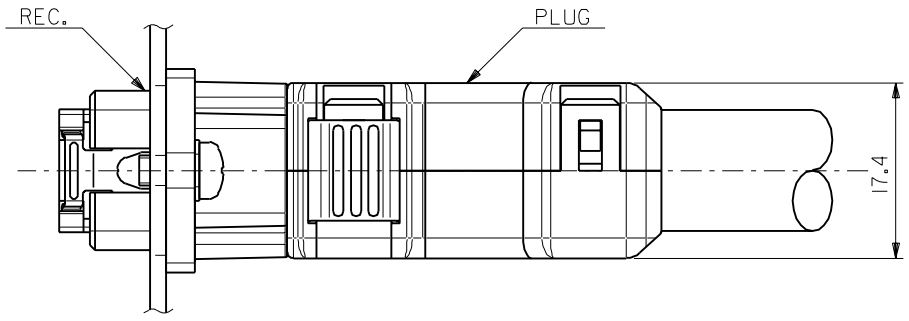
<誤嵌合防止キー（極性）タイプ> <POLARITY KEY TYPE>

51238-1211	51238-1212	51238-1213	51238-1214	51238-1215
STANDARD TYPE	A TYPE	B TYPE	C TYPE	D TYPE

A-2	D	51238-1215	51238-***1*	12
C-3	C	51238-1214		
B-3	B	51238-1213		
B-2	A	51238-1212		
—	STANDARD	51238-1211		
POLARITY POSITION (CIRCUIT No.)	POLARITY TYPE	MATERIAL No.	MODEL No.	CIRCUIT

DO NOT SCALE DRAWING

EC NO. DRWN: CHK: APPR:	EC NO. DRWN: CHK: APPR:	EC NO. DRWN: CHK: APPR:	REVISED 01/10/04 EC NO. J2002-0786 DRWN: S.AKIYAMA CHK: J.MIYAZAWA APPR: YO.ITO	RELEASED 01/02/16 EC NO. JD2001-1040 DRWN: S.AKIYAMA CHK: J.MIYAZAWA APPR: H.IKESUGI	MATERIAL 材料 注記参照 SEE NOTES	GENERAL TOLERANCES: (UNLESS SPECIFIED) 一般公差	SCALE 2-1	DESIGN UNITS <input checked="" type="checkbox"/> mm <input type="checkbox"/> INCH	THIRD ANGLE PROJECTION <input type="checkbox"/> mm INCH <input type="checkbox"/> INCH mm <input checked="" type="checkbox"/> mm ONLY	SHT	REV
						10 UNDER 未滿	±0.2	DRAWN BY & DATE S. Akiyama 01/01/25	TITLE: COMPACT ROBOT CONN. (CRC) REC. SOCKET HS'G ASS'Y		
						10 OVER 以上 30 UNDER 未滿	±0.25	CHECKED BY & DATE J. Miyazawa / Y. Ito	MATERIAL NO. SEE CHART DRAWING NO. SD-51238-007		
						30 OVER 以上	±0.3	APPROVED BY & DATE Yo. Ito		MOLEX INCORPORATED	
						WIRE RANGE 適用電線範囲	—	CAD FILE NAME 51238007.S01			
						INS. RANGE 被覆外径	—				
THIS DRAWING CONTAINS INFORMATION THAT IS PROPRIETARY TO MOLEX INCORPORATED AND SHOULD NOT BE USED WITHOUT WRITTEN PERMISSION.										SIZE B	



嵌合図

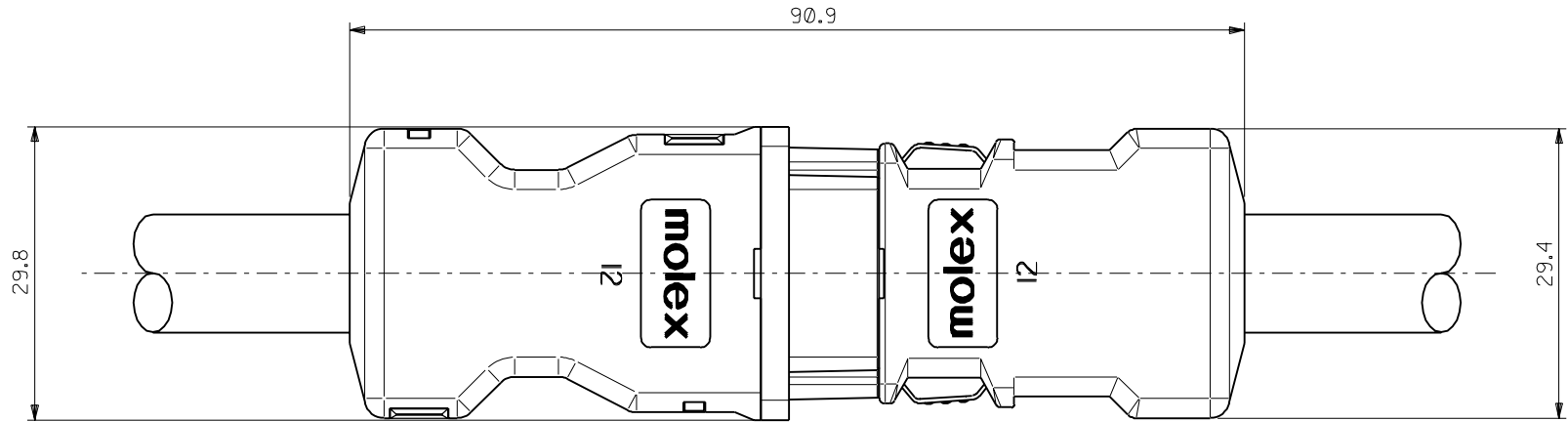
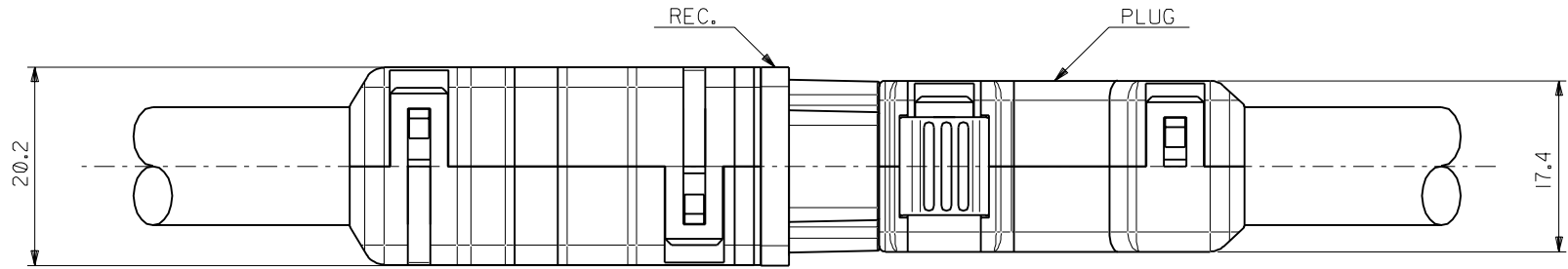
CROSS-SECTION VIEW OF MATED CONNECTOR

DO NOT SCALE DRAWING

EC NO. DRWN: CHK: APPR:	EC NO. DRWN: CHK: APPR:	EC NO. DRWN: CHK: APPR:	REVISED 01/10/04	MATERIAL 材料	GENERAL TOLERANCES: (UNLESS SPECIFIED) 一般公差	SCALE 2-1	DESIGN UNITS mm □ INCH	THIRD ANGLE PROJECTION	DIMENSIONS: □ mm □ INCH	SHT	REV
			EC NO. J2002-0786 DRWN: S.AKIYAMA CHK: J.MIYAZAWA APPR: YO.ITO								
A	Ø	Ø	RELEASED 01/02/16	FINISH 仕上げ	10 OVER 30 UNDER 以上 未満	±0.25	CHECKED BY & DATE <i>J. Mizuno</i> / 3.06	APPROVED BY & DATE <i>Ab. Hasegawa</i>	MATERIAL NO. SEE CHART	DRAWING NO. SD-51238-007	SHEET NO. 2 OF 4
			EC NO. JD2001-1040 DRWN: S.AKIYAMA CHK: J.MIYAZAWA APPR: H.IKESUGI								
REV	INS. RANGE 被覆外径	REV			ANGLE 角度	±3°					

THIS DRAWING CONTAINS INFORMATION THAT IS PROPRIETARY TO MOLEX INCORPORATED AND SHOULD NOT BE USED WITHOUT WRITTEN PERMISSION.

51238007.S02

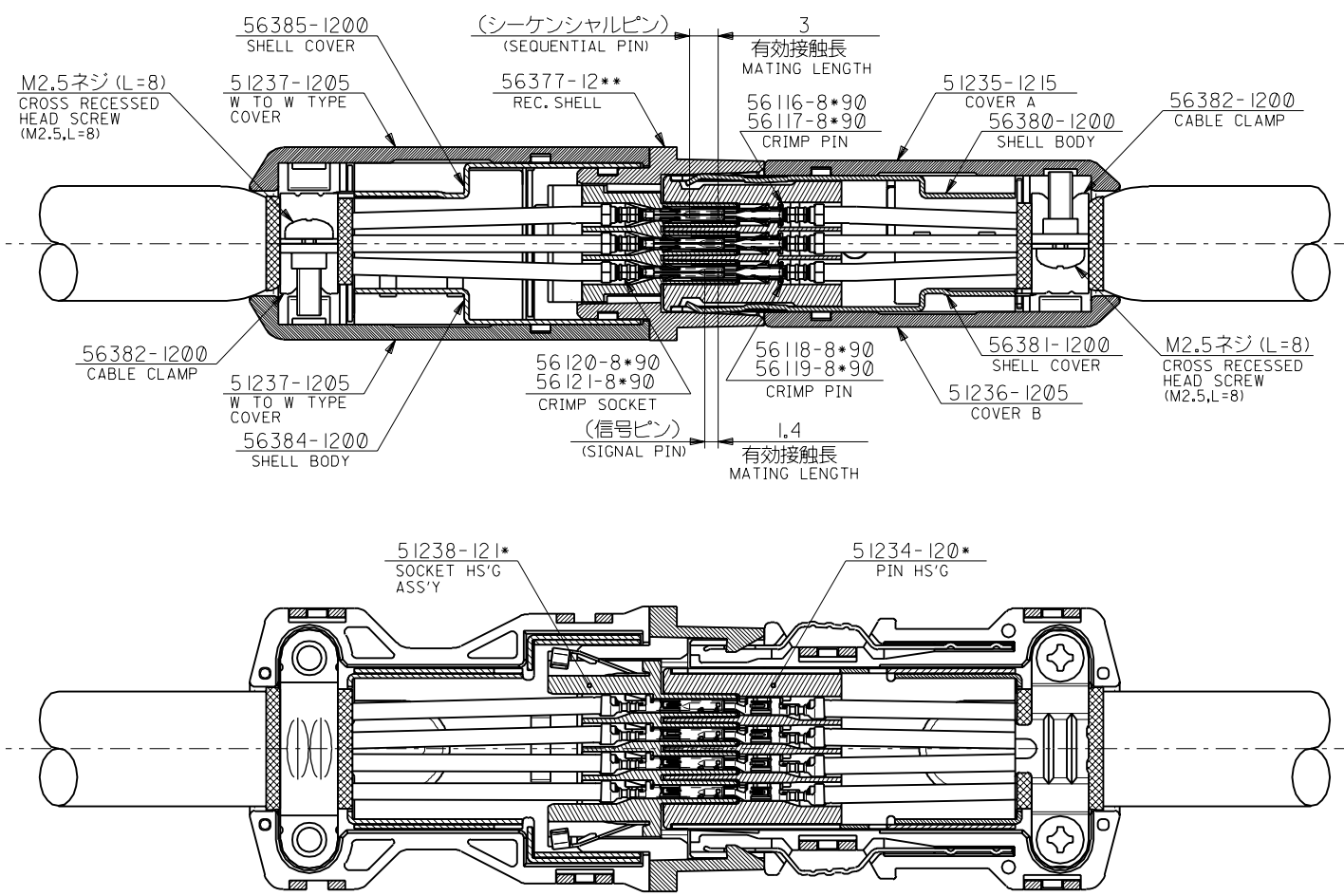


嵌合図 (中継タイプ)  
CROSS-SECTION VIEW OF MATED CONNECTOR  
(WIRE TO WIRE TYPE)

DO NOT SCALE DRAWING

EC NO. DRWN: CHK: APPR:	EC NO. DRWN: CHK: APPR:	EC NO. DRWN: CHK: APPR:	REVISED 01/10/04	MATERIAL 材料	GENERAL TOLERANCES: (UNLESS SPECIFIED) 一般公差	SCALE	DESIGN UNITS	THIRD ANGLE PROJECTION	DIMENSIONS: <input type="checkbox"/> mm INCH <input type="checkbox"/> mm <input checked="" type="checkbox"/> mm ONLY	SHT	REV REVISE ON CAD ONLY
			EC NO. J2002-0786 DRWN: S.AKIYAMA CHK: J.MIYAZAWA APPR: YO.ITO			10 UNDER 未満	2-1				
A	0	0	RELEASED 01/02/16	FINISH 仕上げ	注記参照 SEE NOTES	10 OVER 以上	CHECKED BY & DATE S. Akizawa 01/25	TITLE: COMPACT ROBOT CONN. (CRC) REC. SOCKET HS'G ASS'Y	MATERIAL NO. SEE CHART	DRAWING NO. SD-51238-007	SHEET NO. 3 OF 4
			EC NO. JD2001-1040 DRWN: S.AKIYAMA CHK: J.MIYAZAWA APPR: H.IKESUGI			30 UNDER 未満					
REV	INS. RANGE 被覆外径	WIRE RANGE 適用電線範囲	ANGLE 角度	3*	THIS DRAWING CONTAINS INFORMATION THAT IS PROPRIETARY TO MOLEX INCORPORATED AND SHOULD NOT BE USED WITHOUT WRITTEN PERMISSION.			SIZE B			

DWG. NO. SD-51238-007



嵌合図 (中継タイプ)  
CROSS-SECTION VIEW OF MATED CONNECTOR  
(WIRE TO WIRE TYPE)

DO NOT SCALE DRAWING

EC NO. DRWN: CHK: APPR:	EC NO. DRWN: CHK: APPR:	EC NO. DRWN: CHK: APPR:	REVISED 01/10/04	MATERIAL 材料	GENERAL TOLERANCES: (UNLESS SPECIFIED) 一般公差	SCALE	DESIGN UNITS	THIRD ANGLE PROJECTION	DIMENSIONS: <input type="checkbox"/> mm <input type="checkbox"/> INCH <input checked="" type="checkbox"/> mm ONLY	SHT	REV
			EC NO. J2002-0786 DRWN: S.AKIYAMA CHK: J.MIYAZAWA APPR: YO.IITO			10 UNDER 未満	2-1				
A	0	0	RELEASED 01/02/16	FINISH 仕上げ	SEE NOTES	10 OVER 30 UNDER 未満	DRWN BY & DATE <i>S. Akizawa</i> / 01/25	MATERIAL NO. SEE CHART	DRAWING NO. SD-51238-007	4 OF 4	REVISION ON CAD ONLY
			EC NO. JD2001-1040 DRWN: S.AKIYAMA CHK: J.MIYAZAWA APPR: H.IKESUGI			30 OVER 以上	CHECKED BY & DATE <i>J. Mizawa</i> / 2/06				
				WIRE RANGE 適用電線範囲		ANGLE 角度	APPROVED BY & DATE <i>Yo. Ito</i>	MOLEX INCORPORATED			
				INS. RANGE 被覆外径			CAD FILE NAME 51238007.S04				

THIS DRAWING CONTAINS INFORMATION THAT IS PROPRIETARY TO MOLEX INCORPORATED AND SHOULD NOT BE USED WITHOUT WRITTEN PERMISSION.

51238007.S04