

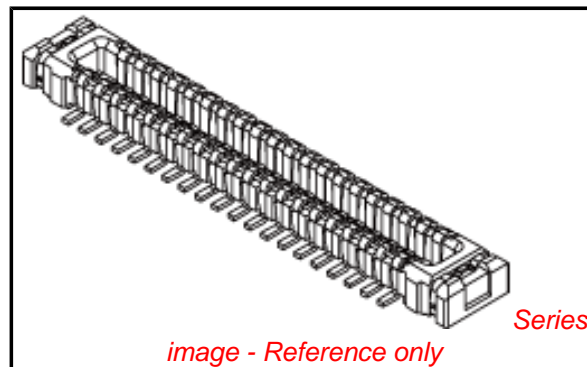
PLEASE CHECK WWW.MOLEX.COM FOR LATEST PART INFORMATION

Part Number: [5024306030](#)
Status: **Active**
Overview: [slimstack_mm016_pitch](#)
Description: 0.40mm (.016") Pitch SlimStack™ Board-to-Board, Plug, SMT, Dual Row, Vertical Stacking, 1.00mm (.039") Stacking Height, With Solder Tabs, with Vacuum Tape, 60 Circuits

Documents:

[3D Model](#)
[Drawing \(PDF\)](#)

[RoHS Certificate of Compliance \(PDF\)](#)



General

| | |
|----------------|---------------------------------------|
| Product Family | PCB Headers |
| Series | 502430 |
| Application | Board-to-Board |
| Overview | slimstack_mm016_pitch |
| Product Name | SlimStack™ |

Physical

| | |
|--------------------------------|-----------------------|
| Breakaway | No |
| Circuits (Loaded) | 60 |
| Color - Resin | Black |
| Durability (mating cycles max) | 30 |
| Glow-Wire Compliant | No |
| Mated Height (in) | 0.039 In |
| Mated Height (mm) | 1.00 mm |
| Material - Metal | Phosphor Bronze |
| Material - Plating Mating | Gold |
| Material - Plating Termination | Gold |
| Number of Rows | 2 |
| Orientation | Vertical |
| PCB Locator | No |
| PCB Retention | Yes |
| Packaging Type | Embossed Tape on Reel |
| Pitch - Mating Interface (in) | 0.016 In |
| Pitch - Mating Interface (mm) | 0.40 mm |
| Polarized to Mating Part | No |
| Polarized to PCB | No |
| Stackable | No |
| Temperature Range - Operating | -20°C to +85°C |
| Termination Interface: Style | Surface Mount |

Electrical

| | |
|-------------------------------|-----------------|
| Current - Maximum per Contact | 0.3A |
| Voltage - Maximum | 50V AC (RMS)/DC |

Material Info

Reference - Drawing Numbers

| | |
|-------------------------|--|
| Packaging Specification | SPK-502430-001 |
| Product Specification | RPS-502426-004, RPS-502426-013, RPS-502426-014, RPS-502426-015, RPS-502426-017, RPS-502426-019 |
| Sales Drawing | SD-502430-003, SD-502430-004 |

EU RoHS

ELV and RoHS Compliant
REACH SVHC Contains SVHC: No
Halogen-Free Status

China RoHS



Not Reviewed

Need more information on product environmental compliance?

Email productcompliance@molex.com
 For a multiple part number RoHS Certificate of Compliance, [click here](#)

Please visit the [Contact Us](#) section for any non-product compliance questions.

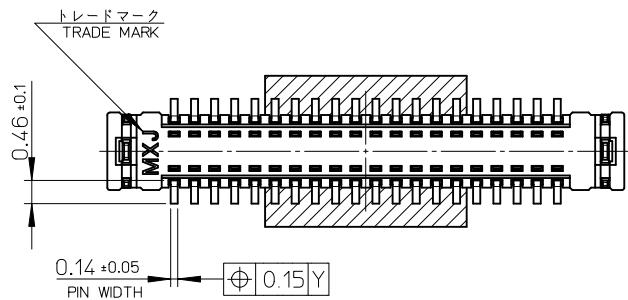
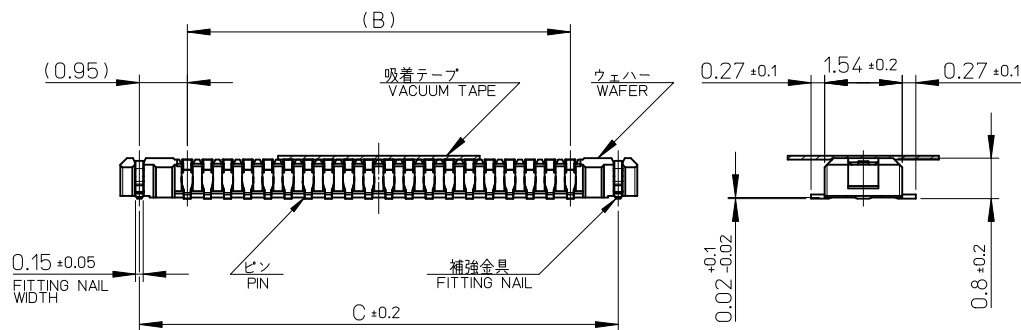
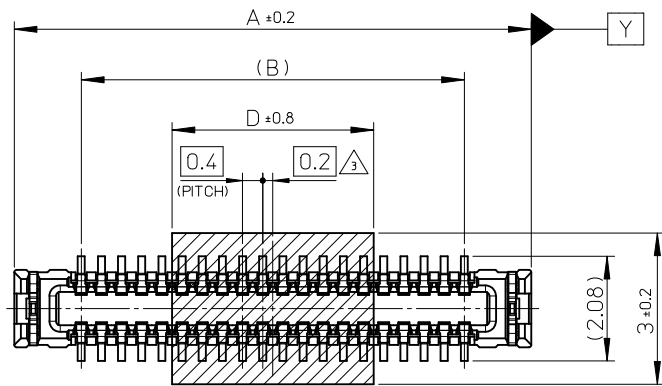
Search Parts in this Series

[502430Series](#)

Mates With

[502426 PCB Receptacle](#)

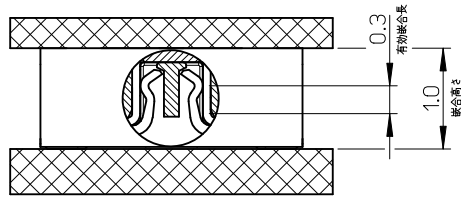
PLEASE CHECK WWW.MOLEX.COM FOR LATEST PART INFORMATION



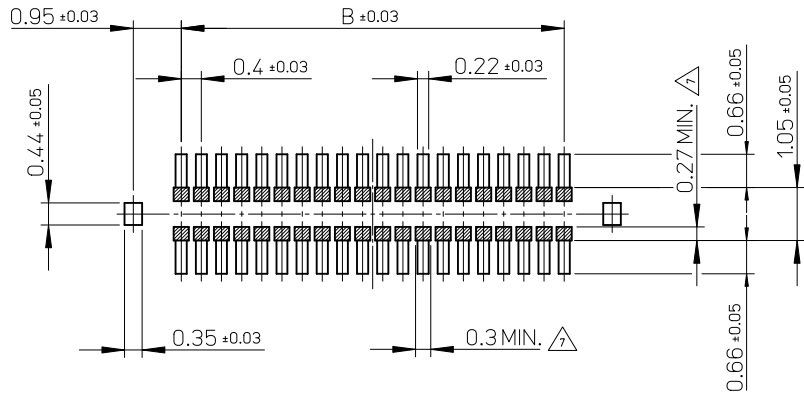
| | | | | | |
|------|------|------|-------|------------------------------------|------|
| 10.0 | 19.5 | 17.6 | 20.26 | 502430-9030 | 90 |
| | 17.5 | 15.6 | 18.26 | 502430-8030 | 80 |
| | 15.5 | 13.6 | 16.26 | 502430-7030 | 70 |
| 7.0 | 13.5 | 11.6 | 14.26 | 502430-6030 | 60 |
| | 11.5 | 9.6 | 12.26 | 502430-5030 | 50 |
| 4.0 | 9.5 | 7.6 | 10.26 | 502430-4030 | 40 |
| | 7.9 | 6.0 | 8.66 | 502430-3230 | 32 |
| 3.4 | 6.7 | 4.8 | 7.46 | 502430-2630 | 26 |
| | 6.3 | 4.4 | 7.06 | 502430-2430 | 24 |
| | 5.9 | 4.0 | 6.66 | 502430-2230 | 22 |
| 2.4 | 5.5 | 3.6 | 6.26 | 502430-2030 | 20 |
| | 4.3 | 2.4 | 5.06 | 502430-1430 | 14 |
| D | C | B | A | EMBOSSED TAPE PACKAGE ORDER No. | CKT. |

CONNECTOR SERIES No. : 502430-**39

| | | | | | | | | | |
|--|--|------------------------|----------------------------|-----------------------|--------------------|---|-------------------------------|---------------------|--|
| REVISED EC NO: J2010-1588 DRWN: TANIGUCHI 012010/02/02 CHKD: THIRATA 2010/02/02 APPR: MSASAO 2010/02/03 | GENERAL TOLERANCES (UNLESS SPECIFIED) | | DIMENSION STYLE MM ONLY | | SCALE 10:1 | DESIGN UNITS METRIC | THIRD ANGLE PROJECTION | | |
| | 10 UNDER ± --- | 10 OVER 30 UNDER ± --- | 30 OVER ± --- | DRAWN BY RTAKEUCHI | DATE 2007/12/26 | TITLE 0.4 B-T0-B CONN. HGT=1.0 W=2.6 PLUG ASSY WITH TAPE | | | |
| | ANGULAR ± --- ° | | | CHECKED BY MSASAO | DATE 2007/12/26 | MOLEX INCORPORATED | | | |
| | DRAFT WHERE APPLICABLE MUST REMAIN WITHIN DIMENSIONS | | | APPROVED BY MSASAO | DATE 2007/12/26 | MATERIAL NO. SEE TABLE | DOCUMENT NO. SD-502430-003 | SHEET NO. 1 OF 2 | |
| THIS DRAWING CONTAINS INFORMATION THAT IS PROPRIETARY TO MOLEX INCORPORATED AND SHOULD NOT BE USED WITHOUT WRITTEN PERMISSION | | | | | | | | | |



嵌合断面図 (参考)
MATED DRAWING (REFERENCE)



P.C. BOARD PATTERN LAYOUT
(REFERENCE)

注記 NOTES

1. 使用材料 MATERIAL

ウェハー : 液晶ポリマー (LCP) ガラス充填 UL94V-0 (黒)
WAFER: LIQUID CRYSTAL POLYMER (GLASS FILLED) UL94V-0 (COLOR: BLACK)

ピン : りん青銅 (t=0.08)
PIN : PHOSPHOR BRONZE (t=0.08)

金具 : りん青銅 (t=0.15)
FITTING NAIL : PHOSPHOR BRONZE (t=0.15)

吸着テープ : ポリイミド
VACUUM TAPE : POLYIMIDE

2. メッキ仕様 PLATING

ピン PIN

金メッキ 0.1 マイクロメートル以上
GOLD 0.2 MICROMETER MINIMUM

下地メッキ : ニッケルメッキ 1.0 マイクロメートル以上
UNDER PLATING : NICKEL 1.0 MICROMETER MINIMUM

※コンタクト部とテール部はニッケルメッキによって分断されている金メッキです。
DIVIDE INTO PARTS THE GOLD PLATING OF THE CONTACT AND THE TAIL PART BY THE NICKEL PLATING.

※封孔処理品

金具 FITTING NAIL

フラッシュ金メッキ
FLASH Au PLATING

下地メッキ : ニッケルメッキ 1.0 マイクロメートル以上
UNDER PLATING : NICKEL 1.0 MICROMETER MINIMUM

③ (全極数 / 2) = 偶数の場合に適用。
APPLY FOR (CIRCUIT/2) = EVEN.

4. 嵌合相手 : 502426 シリーズ
MATE WITH : 502426 SERIES.

5. テール平坦度は、0.08 以下
テール及び金具の平坦度は、0.1 以下
TAIL COPLANARITY TO BE 0.08 MAXIMUM.
TAIL AND FITTING NAIL COPLANARITY TO BE 0.1 MAXIMUM.

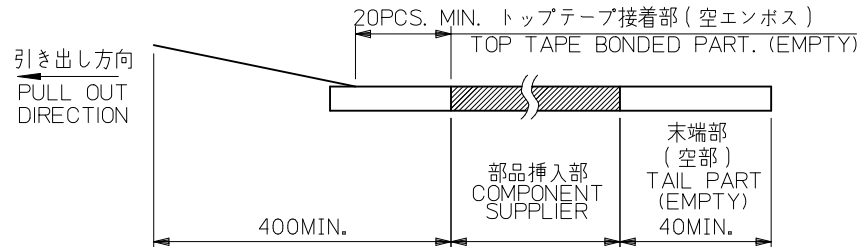
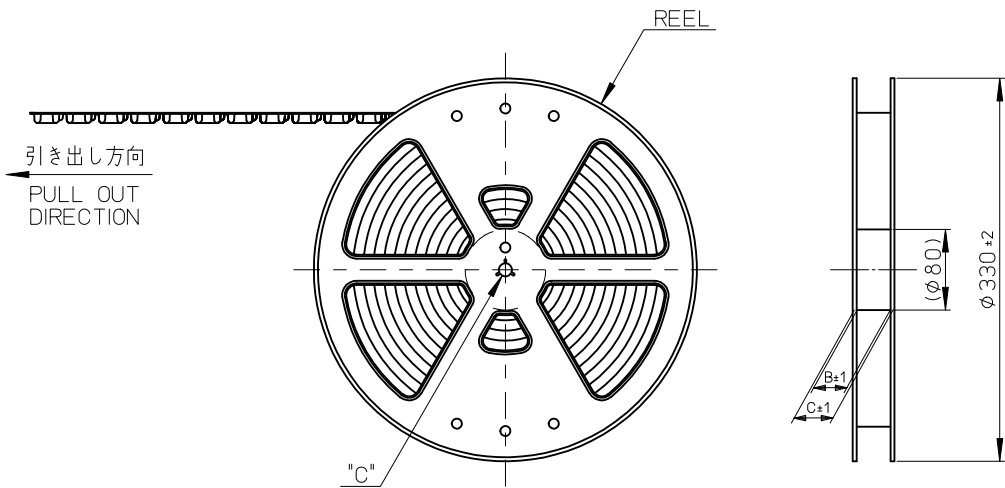
6. ELV 及び RoHS 適合品
ELV AND RoHS COMPLIANT.

⑦ 斜線部はパターン書込み禁止範囲と半田禁止範囲を示す。
ただし、斜線部に同一配線を配置する場合はレジストを施し、この部分に半田は無きこと。
NO PATTERN CIRCUIT AND NO SOLDER ALLOWED IN THE SHADED AREA.
HOWEVER, IF NEEDED TO ADD A TRACE OF THE SAME CIRCUIT, PUT THE SOLDER-RESIST, YET NO SOLDER ALLOWED IN THE AREA.

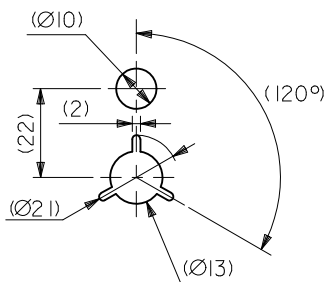
| | | | | | | |
|---|--|-----------------------------|--|-------------------------------|---|---------------------------|
| REVISED EC NO: J2010-1588 DRWN: TANIGUCHI 012010/02/02 CHKD: THIRATA 2010/02/02 APPR: MSASAO 2010/02/03 | GENERAL TOLERANCES (UNLESS SPECIFIED) | | DIMENSION STYLE MM ONLY | SCALE 10:1 | DESIGN UNITS METRIC | THIRD ANGLE PROJECTION |
| | 10 UNDER | ± --- | DRAWN BY RTAKEUCHI | DATE 2007/12/26 | TITLE 0.4 B-TO-B CONN. HGT=1.0 W=2.6 PLUG ASSY WITH TAPE | |
| | 10 OVER 30 UNDER | ± --- | CHECKED BY MSASAO | DATE 2007/12/26 | MOLEX INCORPORATED | |
| | 30 OVER | ± --- | APPROVED BY MSASAO | DATE 2007/12/26 | | |
| ANGULAR | ± --- ° | MATERIAL NO. SEE SHEET 1 | | DOCUMENT NO. SD-502430-003 | SHEET NO. 2 OF 2 | |
| DRAFT WHERE APPLICABLE MUST REMAIN WITHIN DIMENSIONS | | SIZE A3 | THIS DRAWING CONTAINS INFORMATION THAT IS PROPRIETARY TO MOLEX INCORPORATED AND SHOULD NOT BE USED WITHOUT WRITTEN PERMISSION | | | |

注記 NOTES

- 製品詳細寸法については製品単体図面を参照下さい。
RE DETAILED DIMENSION, SEE PRODUCT DRAWING.
- 梱包数量: 3000 個/リール
NUMBER OF CONNECTORS: 3000PCS/REEL
- リードテープ長さ LEAD TAPE LENGTH

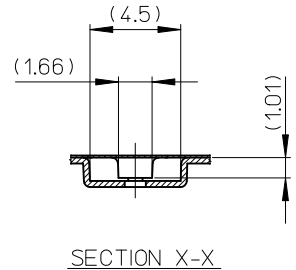
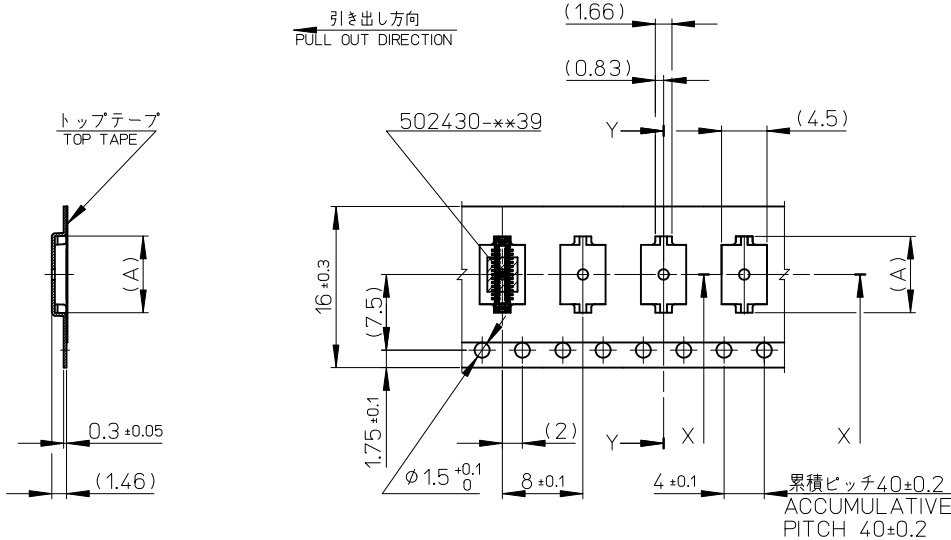


- 材料 MATERIAL
キャリアテープ (CARRIER TAPE): ポリスチレン (POLYSTYRENE)
トップテープ (TOP TAPE): PET, PE, PEF
リール (REEL): ポリスチレン (PS) <リサイクル材を含む>
POLYSTYRENE (PS) <RECYCLE MATERIAL CONTAINED>
- ELV及びRoHS適合品。
ELV AND RoHS COMPLIANT.



DETAIL "C"

| | | | | | | | |
|---|---------------------------------------|--|----------------------------|--------------------|---|--------------------------|--------------------------|
| REVISED EC NO: J2010-1588 DRWN: TANIGUCHI 012010/02/02 CHKD: THIRATA 2010/02/02 APPR: MSASAO 2010/02/03 | GENERAL TOLERANCES (UNLESS SPECIFIED) | | DIMENSION STYLE MM ONLY | | SCALE --- | DESIGN UNITS METRIC | MODEL NO. 502430-***30 |
| | 10 UNDER | ±--- | DRAWN BY RTAKEUCHI | DATE 2007/12/26 | TITLE 0.4 B-TO-B CONN. HGT=1.0 W=2.6 PLUG WITH TAPE EMBSTP PKG | | |
| | 10 OVER 30 UNDER | ±--- | CHECKED BY MSASAO | DATE 2007/12/26 | MATERIAL NO. SEE TABLE | | |
| | 30 OVER | ±--- | APPROVED BY MSASAO | DATE 2007/12/26 | DOCUMENT NO. SD-502430-004 | | |
| | ANGULAR ±---° | DRAFT WHERE APPLICABLE MUST REMAIN WITHIN DIMENSIONS | | SHEET NO. 1 OF 4 | | MATERIAL NO. SEE TABLE | |

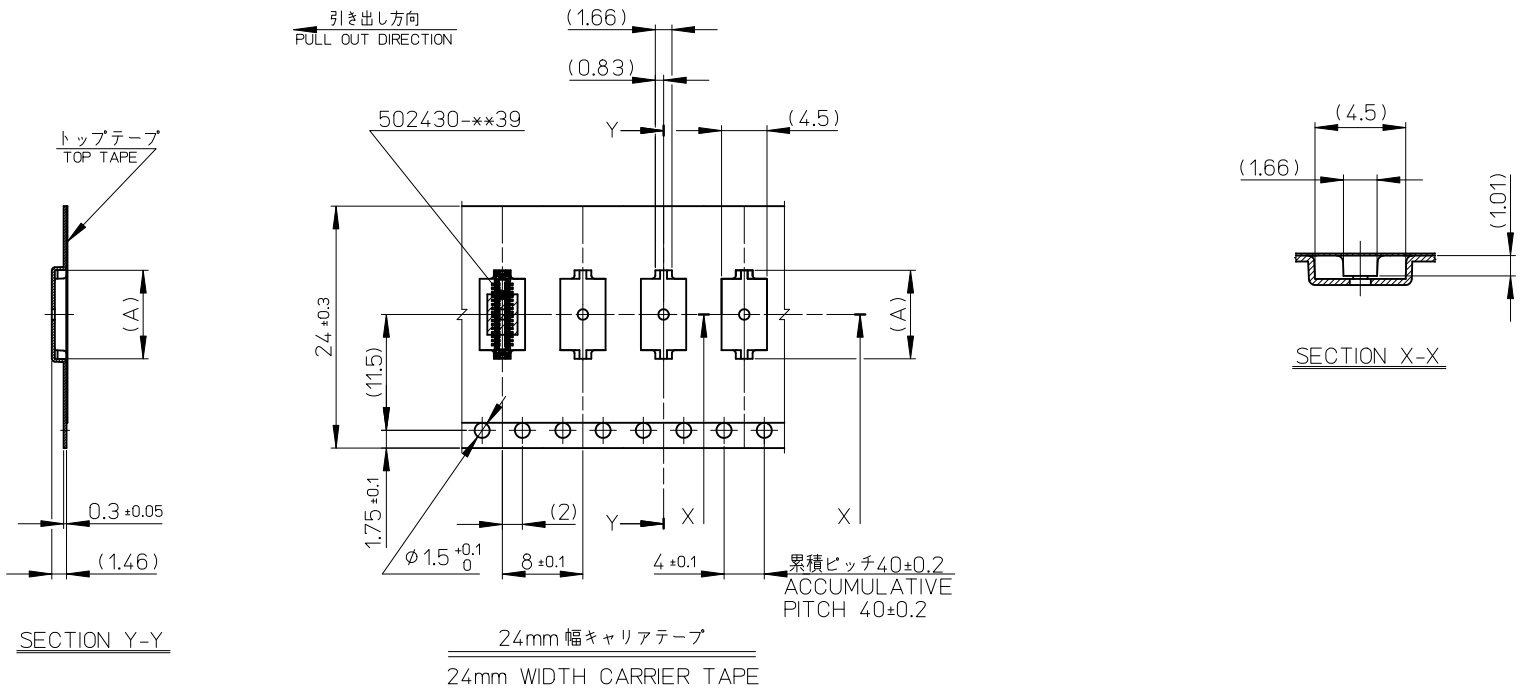


SECTION Y-Y

16mm 幅キャリアテープ
16mm WIDTH CARRIER TAPE

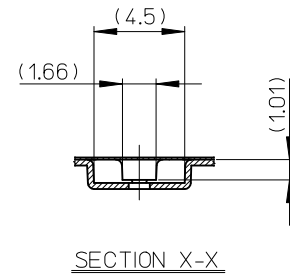
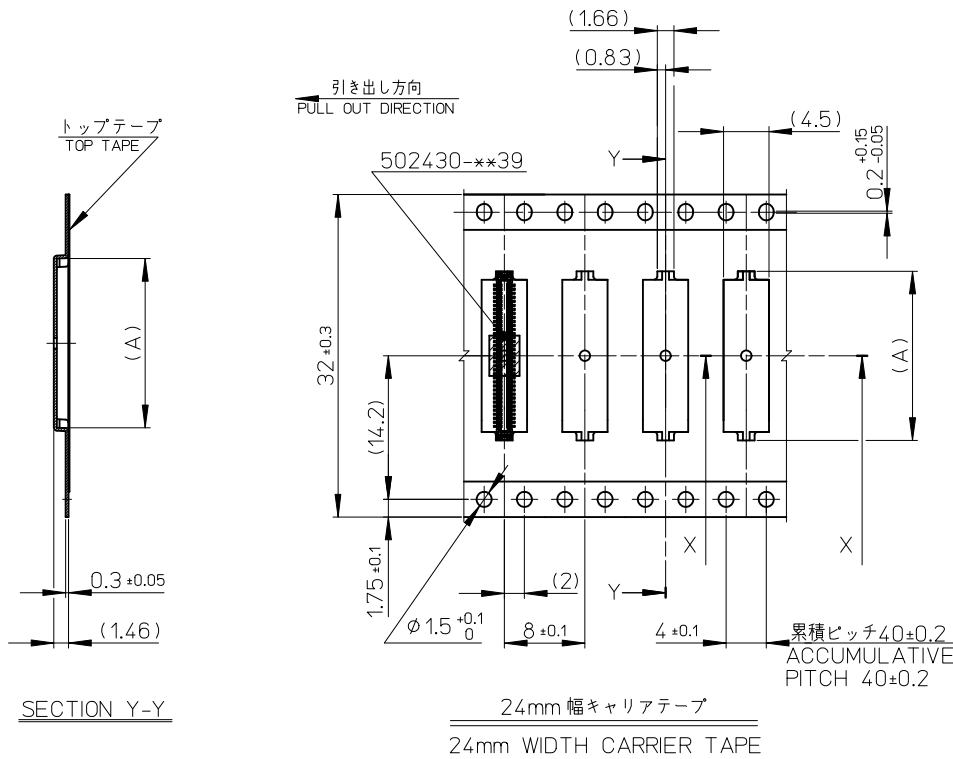
| | | | | | |
|--------------------------------|------|------|--------------|-------------|-------------|
| 16 | 21.4 | 17.4 | 7.58 | 502430-2630 | 26 |
| | | | 7.18 | 502430-2430 | 24 |
| | | | 6.78 | 502430-2230 | 22 |
| | | | 6.38 | 502430-2030 | 20 |
| | | | 5.18 | 502430-1430 | 14 |
| キャリアテープ幅 CARRIER TAPE WIDTH | | | C | B | (A) |
| | | | MATERIAL No. | | CKT. |
| | | | MODEL No. | | 502430-xx30 |

| | | | | | | | | | | |
|---|--------------------|---------------------------------------|-------|---|--------------------|---|------------------------|-------------------------------|---------------------|--|
| REVISED EC NO: J2010-1588 DRWN: TANIGUCHI 2010/02/02 CHKD: THIRATA 2010/02/02 APPR: MSASAO 2010/02/03 | DESCRIPTION REV | GENERAL TOLERANCES (UNLESS SPECIFIED) | | DIMENSION STYLE MM ONLY | | SCALE --- | DESIGN UNITS METRIC | THIRD ANGLE PROJECTION | | |
| | | 10 UNDER | ±--- | DRAWN BY RTAKEUCHI | DATE 2007/12/26 | TITLE 0.4 B-TO-B CONN. HGT=1.0 W=2.6 PLUG WITH TAPE EMBSTP PKG | | | | |
| | | 10 OVER 30 UNDER | ±--- | CHECKED BY MSASAO | DATE 2007/12/26 | MOLEX INCORPORATED | | | | |
| | | 30 OVER | ±--- | APPROVED BY MSASAO | DATE 2007/12/26 | MATERIAL NO. SEE TABLE | | DOCUMENT NO. SD-502430-004 | SHEET NO. 2 OF 4 | |
| | | ANGULAR | ±---° | THIS DRAWING CONTAINS INFORMATION THAT IS PROPRIETARY TO MOLEX INCORPORATED AND SHOULD NOT BE USED WITHOUT WRITTEN PERMISSION | | | | | | |
| DRAFT WHERE APPLICABLE MUST REMAIN WITHIN DIMENSIONS | | | | | | | | | | |



| | | | | | |
|--------------------------------|------|------|-----------|--------------|------|
| 24 | 29.4 | 25.4 | 14.38 | 502430-6030 | 60 |
| | | | 12.38 | 502430-5030 | 50 |
| | | | 10.38 | 502430-4030 | 40 |
| | | | 8.78 | 502430-3230 | 32 |
| キャリアテープ幅 CARRIER TAPE WIDTH | | | (A) | MATERIAL No. | CKT. |
| | | | MODEL No. | 502430-***30 | |

| | | | | | | | | | |
|--|--------------------|--|------|-------------------------------|--------------------|---|------------------------|------------------------|--|
| REVISED EC NO: J2010-1588 DRWN: TANIGUCHI 01/2010/02/02 CHKD: THIRATA 2010/02/02 APPR: MSASAO 2010/02/03 | DESCRIPTION REV | GENERAL TOLERANCES (UNLESS SPECIFIED) | | DIMENSION STYLE MM ONLY | | SCALE --- | DESIGN UNITS METRIC | THIRD ANGLE PROJECTION | |
| | | 10 UNDER | ±--- | DRAWN BY RTAKEUCHI | DATE 2007/12/26 | TITLE 0.4 B-TO-B CONN. HGT=1.0 W=2.6 PLUG WITH TAPE EMBSTP PKG | | | |
| | | 10 OVER 30 UNDER | ±--- | CHECKED BY MSASAO | DATE 2007/12/26 | MOLEX INCORPORATED | | | |
| | | 30 OVER | ±--- | APPROVED BY MSASAO | DATE 2007/12/26 | MATERIAL NO. SEE TABLE | | | |
| ANGULAR ±---° | | DRAFT WHERE APPLICABLE MUST REMAIN WITHIN DIMENSIONS | | DOCUMENT NO. SD-502430-004 | | SHEET NO. 3 OF 4 | | | |



| | | | | | |
|--------------------------------|------|------|-----------|-------------|--------------|
| 32 | 37.4 | 33.4 | 20.38 | 502430-9030 | 90 |
| | | | 18.38 | 502430-8030 | 80 |
| | | | 16.38 | 502430-7030 | 70 |
| キャリアテープ幅 CARRIER TAPE WIDTH | | | C | B | (A) |
| | | | MODEL No. | | 502430-**-30 |

| | | | | | | | | | | |
|---|--------------------|--|-------|----------------------------|--------------------|---|------------------------|-------------------------------|--|---------------------|
| REVISED EC NO: J2010-1588 DRWN: TANI GUCHI 01 2010/02/02 CHKD: 2010/02/02 APPR: MSASAO 2010/02/03 | DESCRIPTION REV | GENERAL TOLERANCES (UNLESS SPECIFIED) | | DIMENSION STYLE MM ONLY | | SCALE --- | DESIGN UNITS METRIC | THIRD ANGLE PROJECTION | | |
| | | 10 UNDER | ± --- | DRAWN BY RTAKEUCHI | DATE 2007/12/26 | TITLE 0.4 B-TO-B CONN. HGT=1.0 W=2.6 PLUG WITH TAPE EMBSTP PKG | | | | |
| | | 10 OVER 30 UNDER | ± --- | CHECKED BY MSASAO | DATE 2007/12/26 | MOLEX INCORPORATED | | | | |
| | | 30 OVER | ± --- | APPROVED BY MSASAO | DATE 2007/12/26 | MATERIAL NO. SEE TABLE | | DOCUMENT NO. SD-502430-004 | | SHEET NO. 4 OF 4 |
| ANGULAR ± --- ° DRAFT WHERE APPLICABLE MUST REMAIN WITHIN DIMENSIONS | | THIS DRAWING CONTAINS INFORMATION THAT IS PROPRIETARY TO MOLEX INCORPORATED AND SHOULD NOT BE USED WITHOUT WRITTEN PERMISSION | | | | | | | | |

SECTION Y-Y

24mm 幅キャリアテープ
24mm WIDTH CARRIER TAPE